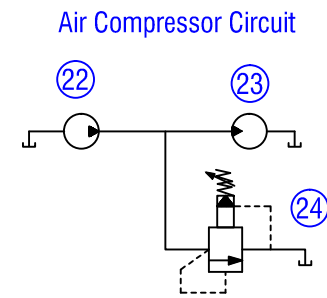
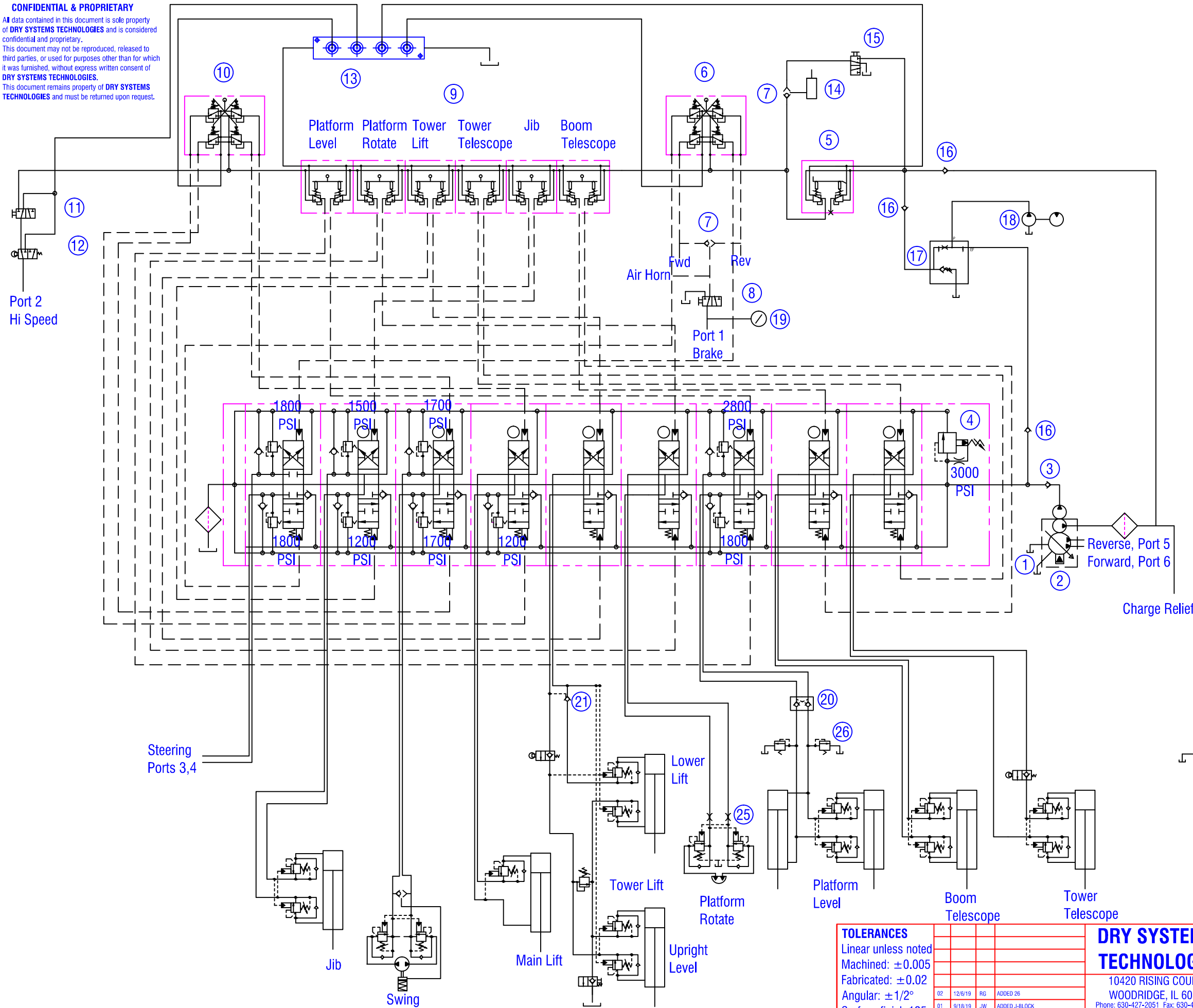


CONFIDENTIAL & PROPRIETARY

All data contained in this document is sole property of DRY SYSTEMS TECHNOLOGIES and is considered confidential and proprietary. This document may not be reproduced, released to third parties, or used for purposes other than for which it was furnished, without express written consent of DRY SYSTEMS TECHNOLOGIES. This document remains property of DRY SYSTEMS TECHNOLOGIES and must be returned upon request.

BILL OF MATERIAL

ITEM #	DESCRIPTION	PART NUMBER
1	Hydraulic Tank	
2	Hydraulic Pump Rework	M388-511-01
3	Check Valve	M388-506-01
4	Valve Assy	M388-502-01
5	Pilot Valve - Foot	M382-500-01
6	Joystick - Steer, Drive	M388-505-01
7	Shuttle Valve	M350-655-01
8	Emergency Brake	M350-513-01
9	Pilots - Boom	M388-503-01
10	Joystick - Main Lift, Swing	M388-504-01
11	Hi/Lo Speed Valve	M350-513-01
12	Boom Lift Valve	M350-881-01
13	J - Block	M350-621-01
14	Throttle Cylinder	M354-521-01
15	Throttle Valve	M350-513-01
16	Check Valve	M350-580-01
17	Flow Divider	M388-507-01
18	Hydraulic Pump	M388-509-01
19	Gauge	M350-898-01
20	Double Check Valve	M350-896-01
21	Check Valve, P.O.	M192-556-01
22	Hydraulic Pump	M388-512-01
23	Hydraulic Motor	M150-548-01
24	Relief Valve	M150-594-01
25	Hyd Orifice Fitting	M600-856-01
26	Relief Valve	M388-515-01



NOTE: ALL PILOT HOSES #4 @ 78'

TOLERANCES

Linear unless noted
 Machined: ±0.005
 Fabricated: ±0.02
 Angular: ±1/2°
 Surface finish 125

REV	DATE	NAME	DESCRIPTION
02	12/6/19	RG	ADDED 26
01	9/18/19	JW	ADDED J-BLOCK

DRY SYSTEMS TECHNOLOGIES
 10420 RISING COURT
 WOODRIDGE, IL 60517
 Phone: 630-427-2051 Fax: 630-427-1036
 E-Mail: eng@drysystemstech.com

DESCRIPTION	NO RECD
Hydraulic Dia	
SCALE	DATE
	March 14, 2019
DRAWN BY	APPROVED BY
R Gibbs	
MATERIAL	
DRAWING NO	
M388-002-01	

