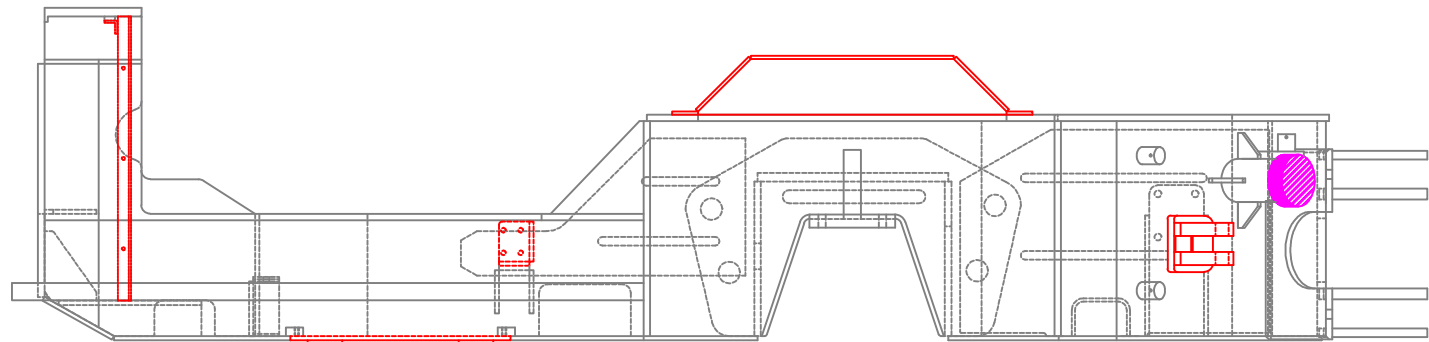
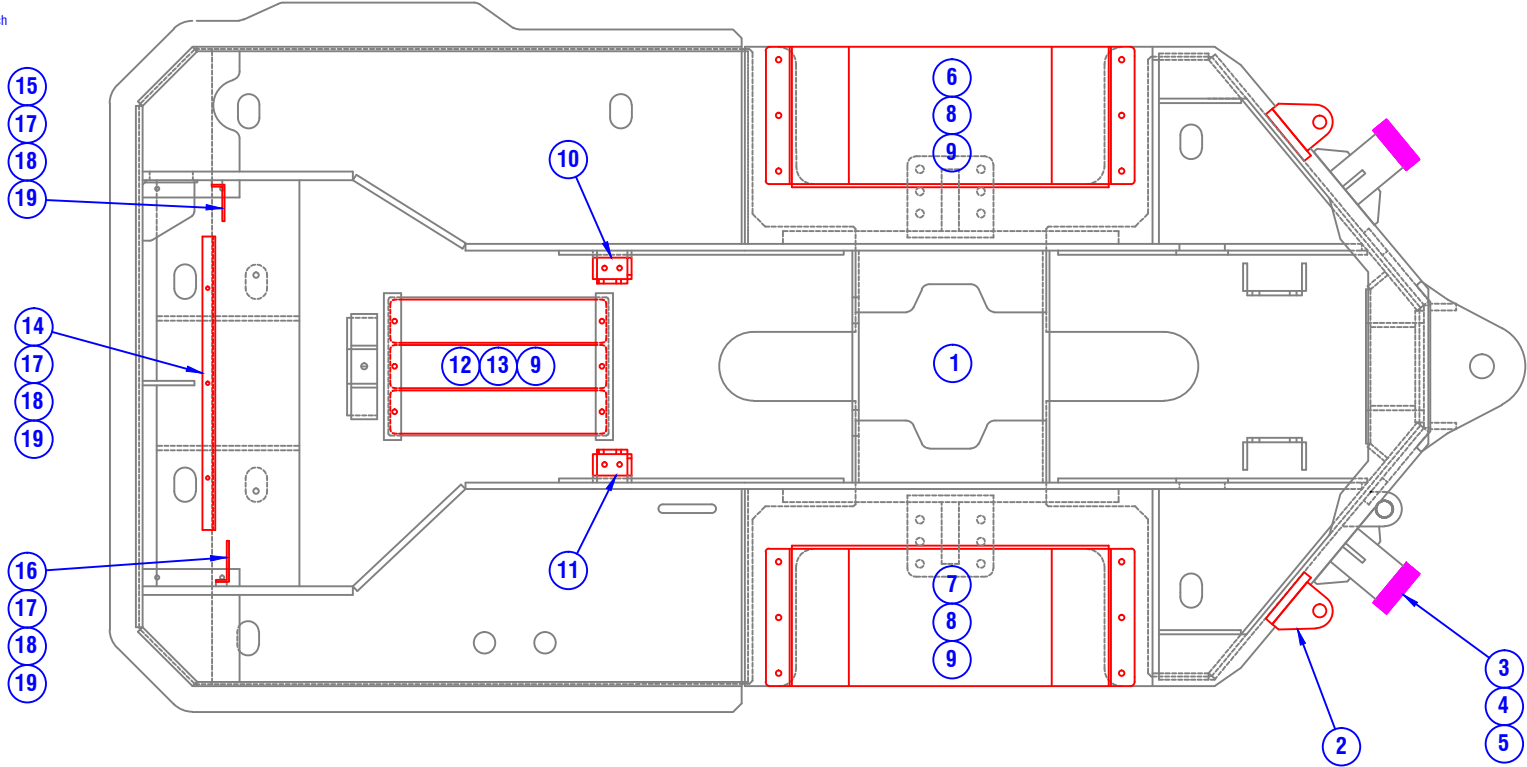


CONFIDENTIAL & PROPRIETARY

All data contained in this document is sole property of **DRY SYSTEMS TECHNOLOGIES** and is considered confidential and proprietary.

This document may not be reproduced, released to third parties, or used for purposes other than for which it was furnished, without express written consent of **DRY SYSTEMS TECHNOLOGIES**.

This document remains property of **DRY SYSTEMS TECHNOLOGIES** and must be returned upon request.



SECTION 4-02

TOLERANCES

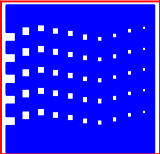
Linear unless noted
 Machined: ± 0.005
 Fabricated: ± 0.02
 Angular: $\pm 1/2^\circ$
 Surface finish 125

REV	DATE	NAME	DESCRIPTION

DRY SYSTEMS TECHNOLOGIES

10420 RISING COURT
 WOODRIDGE, IL 60517
 Phone: 630-427-2051 Fax: 630-427-1036
 E-Mail: eng@dryssystemstech.com

DESCRIPTION POWER FRAME ASSEMBLY		NO RECD 1
SCALE Full	DATE April 18 2016	DRAWN BY W Fox
MATERIAL		APPROVED BY
DRAWING NO M365-220-01		



POWER FRAME ASSEMBLY

ITEM	PART NUMBER	QUAN.	DESCRIPTION	NOTES
	M365-220-01	1	POWER FRAME ASSEMBLY	Includes items 1 - 2
1	M365-220-02	1	WELDMENT, POWER FRAME	
2	M365-220-03	2	MOUNT, STEER CYLINDER	
3	M192-573-02	2	STOP BLOCK	
4	M330-509-08	2	CAPSCREW, HEX HEAD, 3/4-10 X 2 1/4 GR8	
5	M330-509-00	2	FLAT WASHER, 3/4	
6	M365-220-04	1	FENDER, POWER FRAME, ONSIDE	Specify onside or offside
7	M365-220-04	1	FENDER, POWER FRAME, OFFSIDE	Specify onside or offside
8	M515-500-05	12	CAPSCREW, HEX HEAD, 1/2-13 X 1 1/2 GR8	
9	M600-110-01	18	LOCK WASHER, 1/2	
10	M365-220-06	1	MOTOR MOUNT, FPT N45, ONSIDE	
11	M365-220-07	1	MOTOR MOUNT, FPT N45, OFFSIDE	
12	M365-220-05	3	PLATE, BOTTOM ACCESS COVERS	
13	M600-105-01	6	CAPSCREW, HEX HEAD, 1/2-13 X 1 3/4 GR8	
14	M365-220-10	1	RADIATOR SEAL, TOP	
15	M365-220-11	1	RADIATOR SEAL, ONSIDE	
16	M365-220-12	1	RADIATOR SEAL, OFFSIDE	
17	M515-500-18	9	CAPSCREW, HEX HEAD, 3/8-16 X 3/4 GR8	
18	M250-107-05	9	FLAT WASHER, 3/8	
19	M600-123-01	9	LOCKWASHER, 3/8	