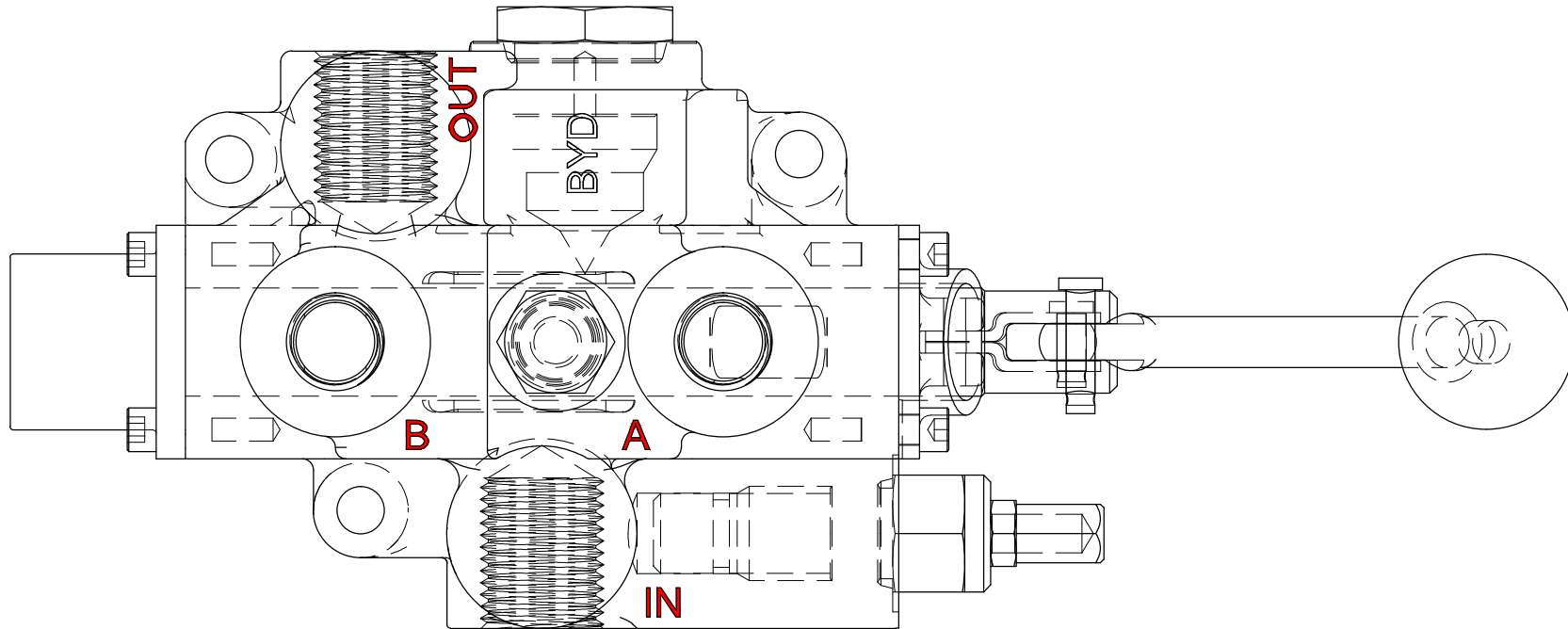


CONFIDENTIAL & PROPRIETARY

All data contained in this document is sole property of **DRY SYSTEMS TECHNOLOGIES** and is considered confidential and proprietary.

This document may not be reproduced, released to third parties, or used for purposes other than for which it was furnished, without express written consent of **DRY SYSTEMS TECHNOLOGIES**.

This document remains property of **DRY SYSTEMS TECHNOLOGIES** and must be returned upon request.



SET AT 2700 PSI

SECTION 4-02

TOLERANCES

Linear unless noted
Machined: ± 0.005
Fabricated: ± 0.02
Angular: $\pm 1/2^\circ$
Surface finish 125

REV	DATE	NAME	DESCRIPTION

DRY SYSTEMS TECHNOLOGIES

10420 RISING COURT
WOODRIDGE, IL 60517
Phone: 630-427-2051 Fax: 630-427-1036
E-Mail: eng@drysystemstech.com

DESCRIPTION			NO REVD
WINCH CONTROL VALVE			1
SCALE	DATE	DRAWN BY	
Full	Dec 22 2015	W Fox	
MATERIAL	APPROVED BY		
DRAWING NO	M363-508-01		

