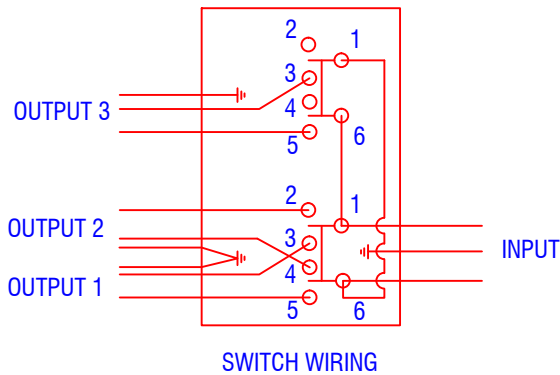
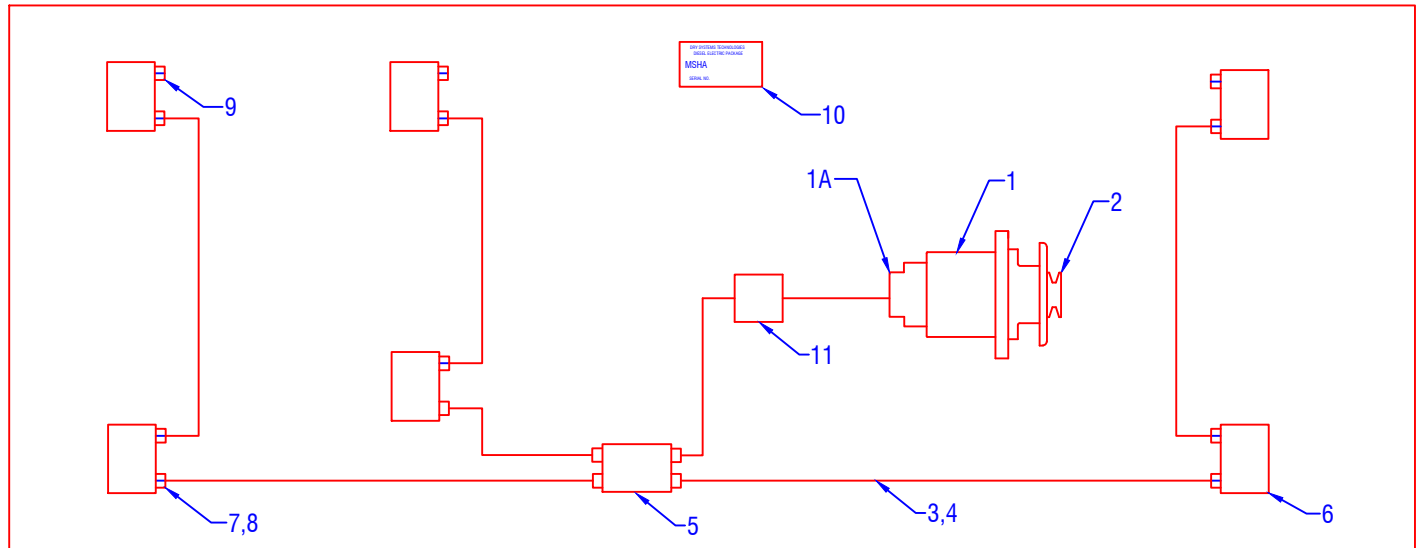


CONFIDENTIAL & PROPRIETARY

All data contained in this document is sole property of **DRY SYSTEMS TECHNOLOGIES** and is considered confidential and proprietary.

This document may not be reproduced, released to third parties, or used for purposes other than for which it was furnished, without express written consent of **DRY SYSTEMS TECHNOLOGIES**.

This document remains property of **DRY SYSTEMS TECHNOLOGIES** and must be returned upon request.



BILL of MATERIAL			
ITEM	QTY	PART NUMBER	DESCRIPTION
1	1	M500-521-01	ALTERNATOR, 12 VOLT
1A	2	M500-521-150	FUSES 15A, INCLUDED IN ALT.
2	1	M500-530-01	PULLEY - CUMMINS (INCL IN ALT.)
3*	FT	M261-508-01	CONDUIT HOSE, 5/8 ID
4*	FT	M261-509-01	CABLE, MULTICONDUCTOR, 14/3
5*	1	M261-512-01	LIGHT SWITCH BOX, 2 SWITCHES
6*	6	M261-534-01	HEADLIGHT ASS'Y 12 VOLT, LED
		M261-530-01	LAMP, 12 VOLT, LED FLOOD
7*	7	M261-503-01	PACKING GLAND, 5/8 STRAIGHT
8*	7	M261-504-01	PACKING GLAND, 5/8 ELBOW
9*	7	M261-507-01	PLUG
10*	1	M261-510-01	EVALUATION TAG
		M261-551-01	KIT (includes *)
11 OPT	1	M261-513-01	CONNECTION BOX

1. The Electrical System Schematic Diagram is drawing M261-031-01
2. The Electrical Permissibility Checklist is M261-008-01
3. A Diesel Electric Evaluation plate shall be located in the operator's compartment and shall be attached with adhesive or mechanical fasteners.

TOLERANCES	
Linear unless noted	
Machined: ±0.005	
Fabricated: ±0.01	
Angular: ±1/2°	
Surface finish 125	

REV	DATE	NAME	DESCRIPTION

DRY SYSTEMS TECHNOLOGIES
 10420 RISING COURT
 WOODRIDGE, IL 60517
 Phone: 630-427-2051 Fax: 630-427-1036
 E-Mail: eng@drysystemstech.com

DESCRIPTION		ELECTRICAL INSTALLATION		NO. REQ'D
SCALE	DATE	DRAWN BY		
FULL	JULY 27, 2015	R GIBBS		
MATERIAL		APPROVED BY		
DRAWING NO.				

M261-032-01

