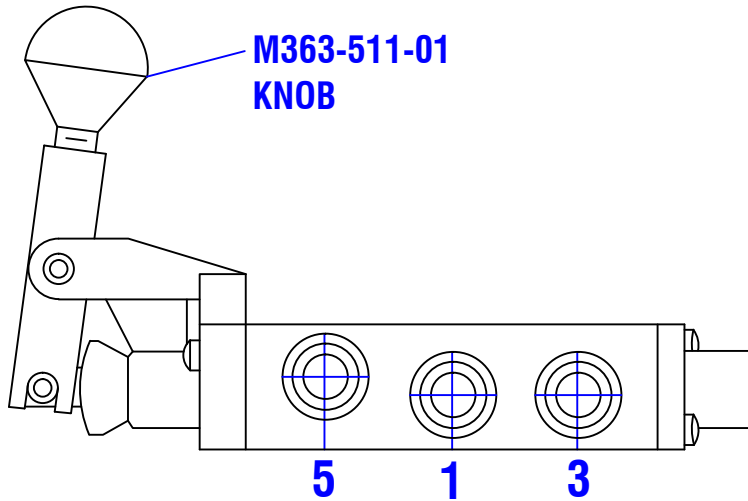
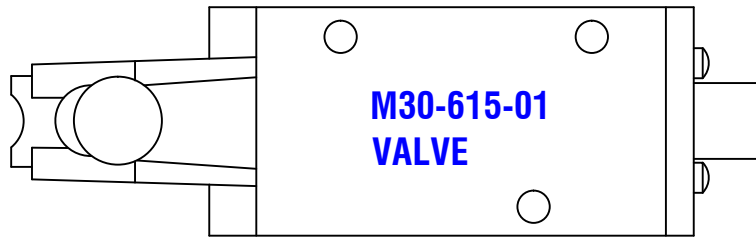
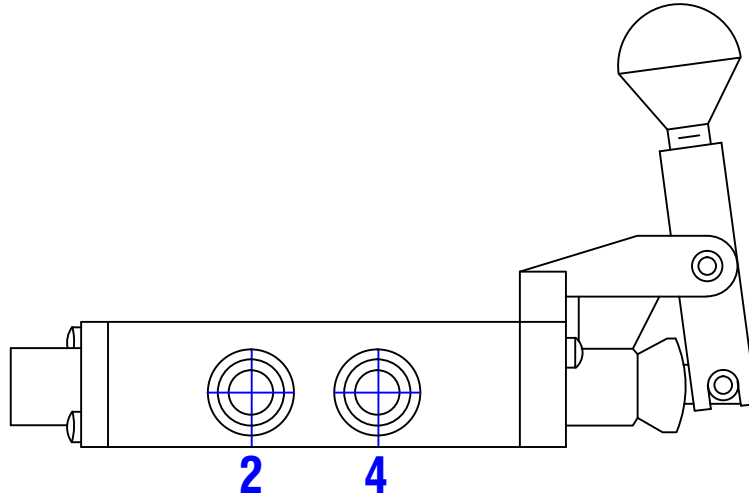


**CONFIDENTIAL & PROPRIETARY**

All data contained in this document is sole property of **DRY SYSTEMS TECHNOLOGIES** and is considered confidential and proprietary.

This document may not be reproduced, released to third parties, or used for purposes other than for which it was furnished, without express written consent of **DRY SYSTEMS TECHNOLOGIES**.

This document remains property of **DRY SYSTEMS TECHNOLOGIES** and must be returned upon request.



**SECTION 4-04**

<b>TOLERANCES</b> Linear unless noted Machined: $\pm 0.005$ Fabricated: $\pm 0.02$ Angular: $\pm 1/2^\circ$ Surface finish 125				<b>DRY SYSTEMS TECHNOLOGIES</b> 10420 RISING COURT WOODRIDGE, IL 60517 Phone: 630-427-2051 Fax: 630-427-1036 E-Mail: <a href="mailto:eng@drysystemstech.com">eng@drysystemstech.com</a>	DESCRIPTION	VALVE, HAND LEVER	NO RECD	1
	SCALE	DATE	DRAWN BY		APPROVED BY			
	Full	Dec 23 2015	W Fox					
	MATERIAL							
	DRAWING NO	<b>M30-615-01</b>						

