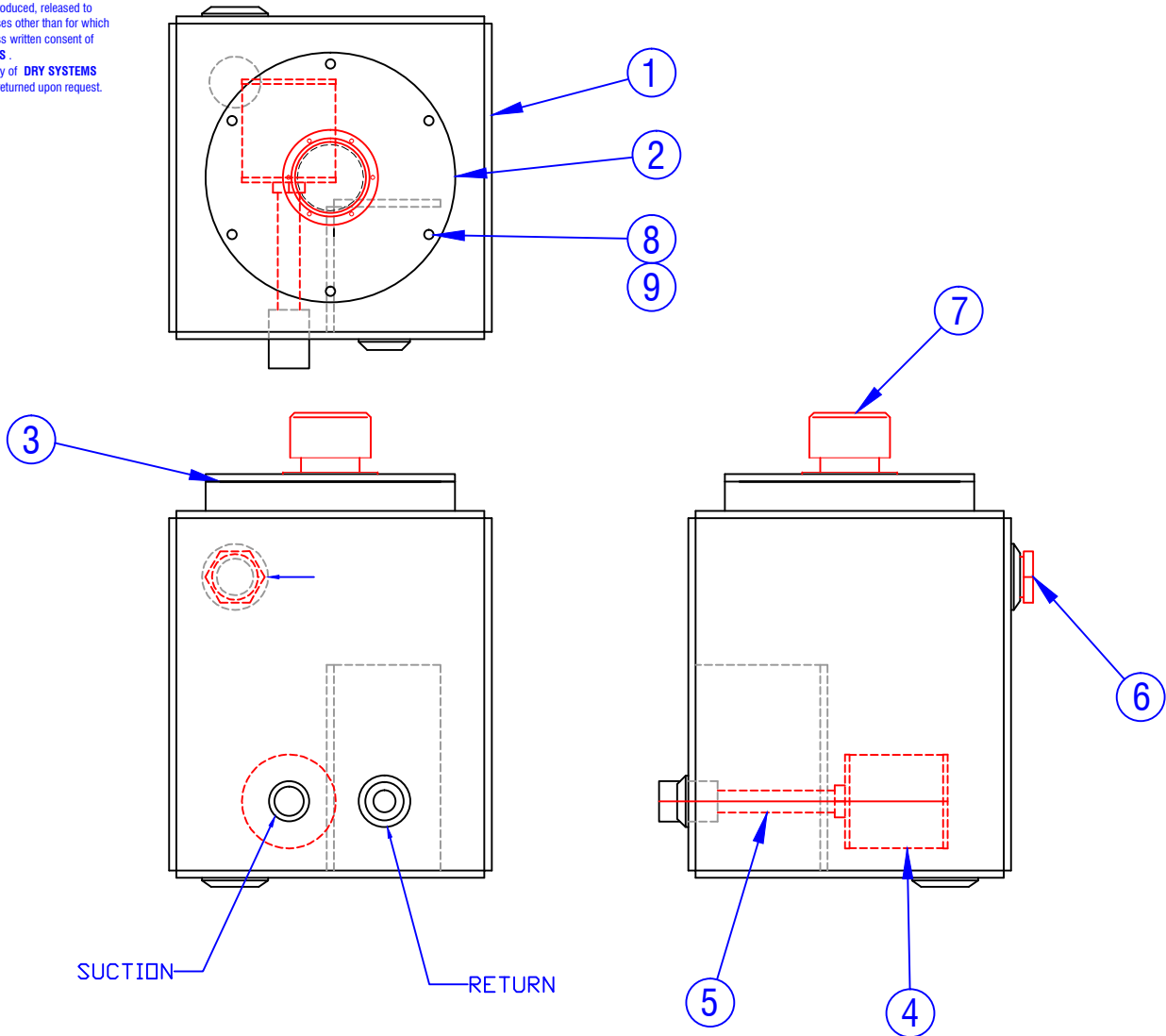


CONFIDENTIAL & PROPRIETARY

All data contained in this document is sole property of **DRY SYSTEMS TECHNOLOGIES** and is considered confidential and proprietary. This document may not be reproduced, released to third parties, or used for purposes other than for which it was furnished, without express written consent of **DRY SYSTEMS TECHNOLOGIES**. This document remains property of **DRY SYSTEMS TECHNOLOGIES** and must be returned upon request.



ITEM	PART NUMBER	QUAN.	DESCRIPTION
	M379-210-01	1	HYDRAULIC TANK includes 1 - 9
1	M379-210-02	1	WELDMENT, HYDRAULIC TANK
2	M379-210-03	1	LID, HYDRAULIC TANK
3	M379-520-07	1	O-RING, LID
4	M379-520-10	1	SUCTION STRAINER
5	M379-520-11	1	NIPPLE
6	M350-556-01	1	SIGHT GLASS
7	M350-554-01	1	CAP, FILL, HYDRAULIC
8	M515-500-02	6	HHCS 1/4 - 20 X 1 GR 8
9	M601-103-01	6	LOCK WASHER, 1/4

SECTION 4-05

TOLERANCES	
Linear unless noted	
Machined: ±0.005	
Fabricated: ±0.02	
Angular: ±1/2°	
Surface finish 125	
REV	DATE NAME DESCRIPTION

DRY SYSTEMS TECHNOLOGIES

10420 RISING COURT
WOODRIDGE, IL 60517
Phone: 630-427-2051 Fax: 630-427-1036
E-Mail: eng@drysystemstech.com

DESCRIPTION			NO RECD
HYDRAULIC TANK			1
SCALE	DATE	DRAWN BY	
Full	Oct. 03, 2017	W Fox	
MATERIAL	APPROVED BY		
DRAWING NO			
M379-210-01			

