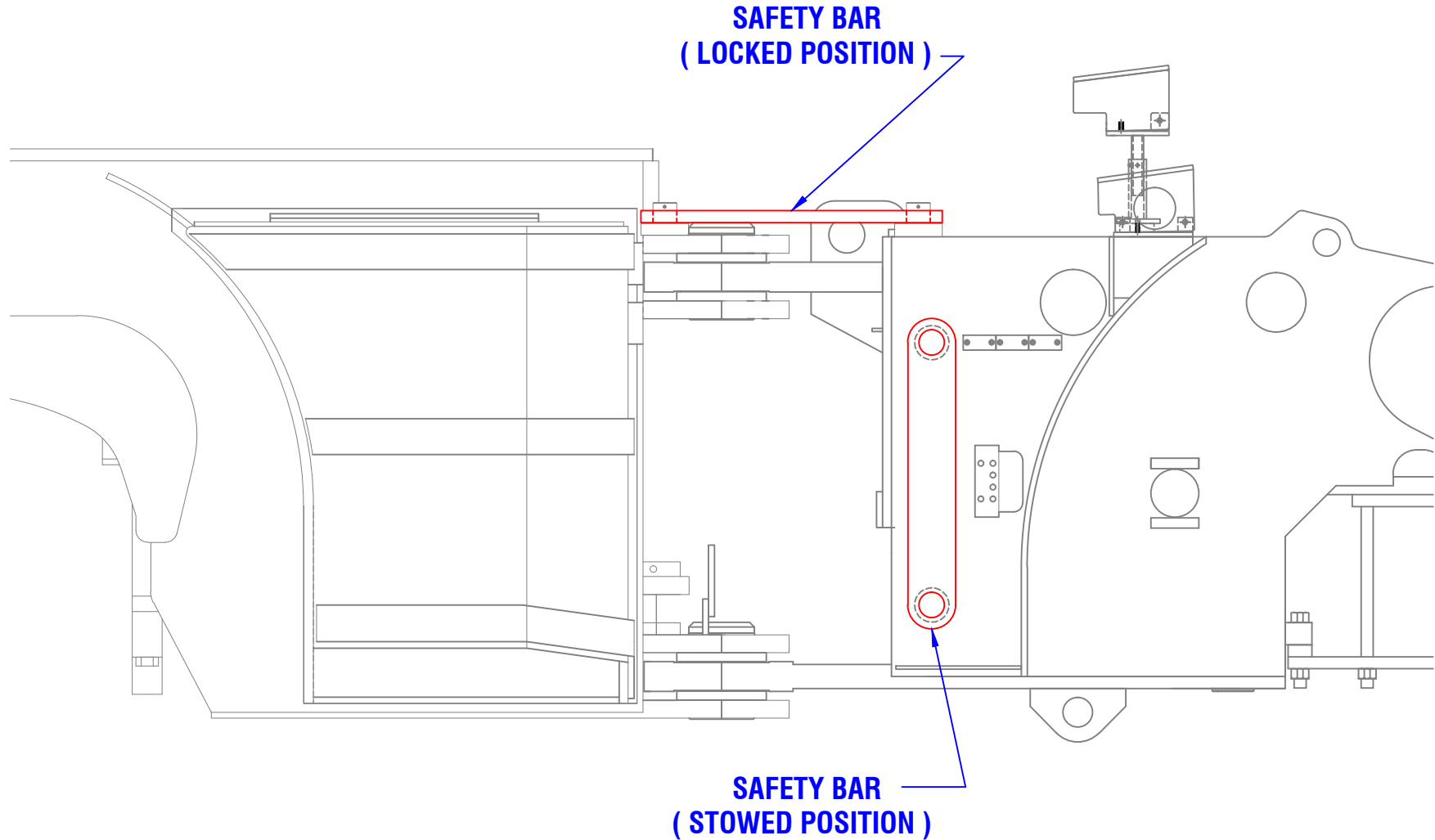


**CONFIDENTIAL & PROPRIETARY**

All data contained in this document is sole property of **DRY SYSTEMS TECHNOLOGIES** and is considered confidential and proprietary.

This document may not be reproduced, released to third parties, or used for purposes other than for which it was furnished, without express written consent of **DRY SYSTEMS TECHNOLOGIES**.

This document remains property of **DRY SYSTEMS TECHNOLOGIES** and must be returned upon request.



**PART NO: M350-598-01 SAFETY BAR SN M600000 TO M600029**

**PART NO: M350-598-02 SAFETY BAR SN M600030 AND UP**

**NOTE: Requires 2 - 1/8 x 3" Cotter Pins**

TOLERANCES	
Linear unless noted	
Machined: ±0.005	
Fabricated: ±0.02	
Angular: ±1/2°	
Surface finish 125	
REV	DATE
NAME	DESCRIPTION

**DRY SYSTEMS TECHNOLOGIES**  
 10420 RISING COURT  
 WOODRIDGE, IL 60517  
 Phone: 630-427-2051 Fax: 630-427-1036  
 E-Mail: [and@dryssystemstech.com](mailto:and@dryssystemstech.com)

DESCRIPTION		NO RECD
SWIVEL LOCK		
SCALE	DATE	DRAWN BY
Full	APRIL 06 2015	Ward Fox
MATERIAL	APPROVED BY	
DRAWING NO	<b>SECTION 4-05</b>	

