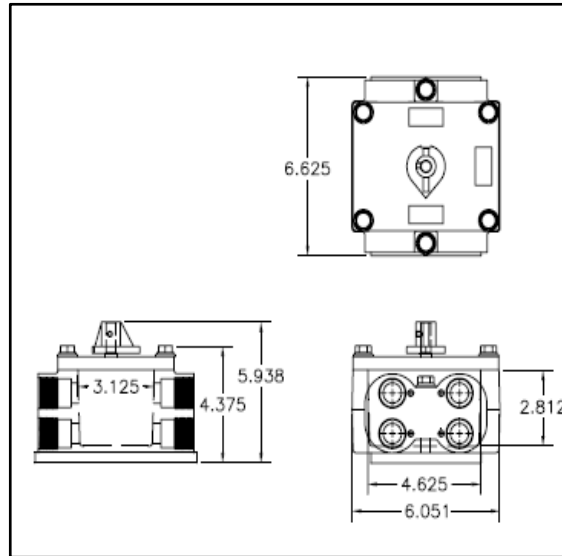
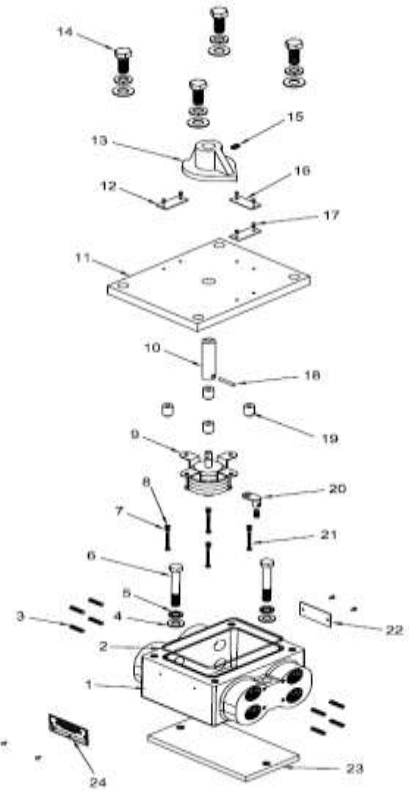


XP Model No. 20630

XP Approval No. 2456-2



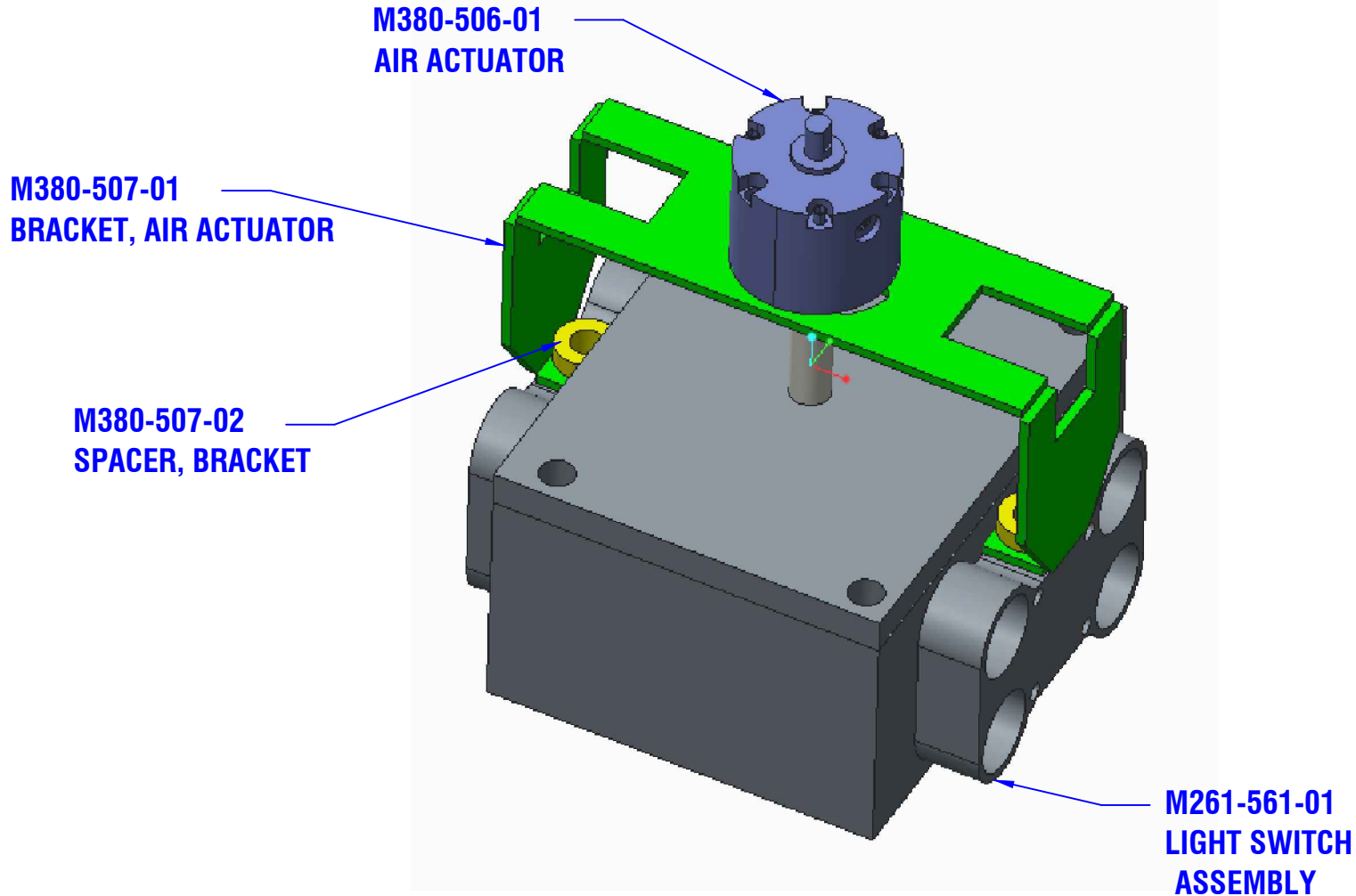
Item	Part Number	Qty	Description	
1	M261-512-07	1	Housing Machined Aluminum	
2	M261-512-06	1	O-Ring	
3	M261-502-08	8	Stainless Steel Set Screw ¼-20 x 1	
4	M250-107-05	6	3/8 Flat Washer	
5	M600-123-01	6	3/8 Lock Washer	
6	M600-187-01	2	Bolt 3/8-16 x 3 Hex	
7	M261-543-11	4	Lock Washer #6	
8	M261-529-21	4	Flat Washer #6	
9	M261-512-09	1	Switch 3 Pos	
10	M261-512-10	1	Switch Shaft	
11	M261-512-11	1	Cover Mach. For On-Off-On	
12	M261-501-04	2	On Tag	
13			Not used in this application	
14	M600-124-01	4	Bolt 3/8-16 x 1 ¼ Hex	
15	M261-522-05	1	Set Screw ¼-20 x 1/2	
16	M261-501-05	1	Off Tag	
17	M261-502-10	10	Drive Pin 4 x 3/16	
18	M261-512-13	1	Roll Pin 3/32 x 7/16	
19	M261-501-11	4	Standoff	Used on M261-561-02
20	M261-501-08	1	Ground Lug	
21	M261-512-12	4	6/32 x 1 Rd Head Screw	Section 4-06 Page 1 of 2
22	M261-502-12	1	PA Tag	
23	M261-512-08	1	Weld Plate	
24	M261-501-14	1	Certification Tag	

CONFIDENTIAL & PROPRIETARY

All data contained in this document is sole property of **DRY SYSTEMS TECHNOLOGIES** and is considered confidential and proprietary.

This document may not be reproduced, released to third parties, or used for purposes other than for which it was furnished, without express written consent of **DRY SYSTEMS TECHNOLOGIES**.

This document remains property of **DRY SYSTEMS TECHNOLOGIES** and must be returned upon request.



TOLERANCES	
Linear unless noted	
Machined: ± 0.005	
Fabricated: ± 0.02	
Angular: $\pm 1/2^\circ$	
Surface finish 125	

DRY SYSTEMS TECHNOLOGIES
10420 RISING COURT
WOODRIDGE, IL 60517
Phone: 630-427-2051 Fax: 630-427-1036
E-Mail: eng@drysystemstech.com

DESCRIPTION		NO RECD
LIGHT SWITCH		1
SCALE	DATE	DRAWN BY
Full	April 25 2018	W Fox
MATERIAL	APPROVED BY	
DRAWING NO	M261-561-02	

