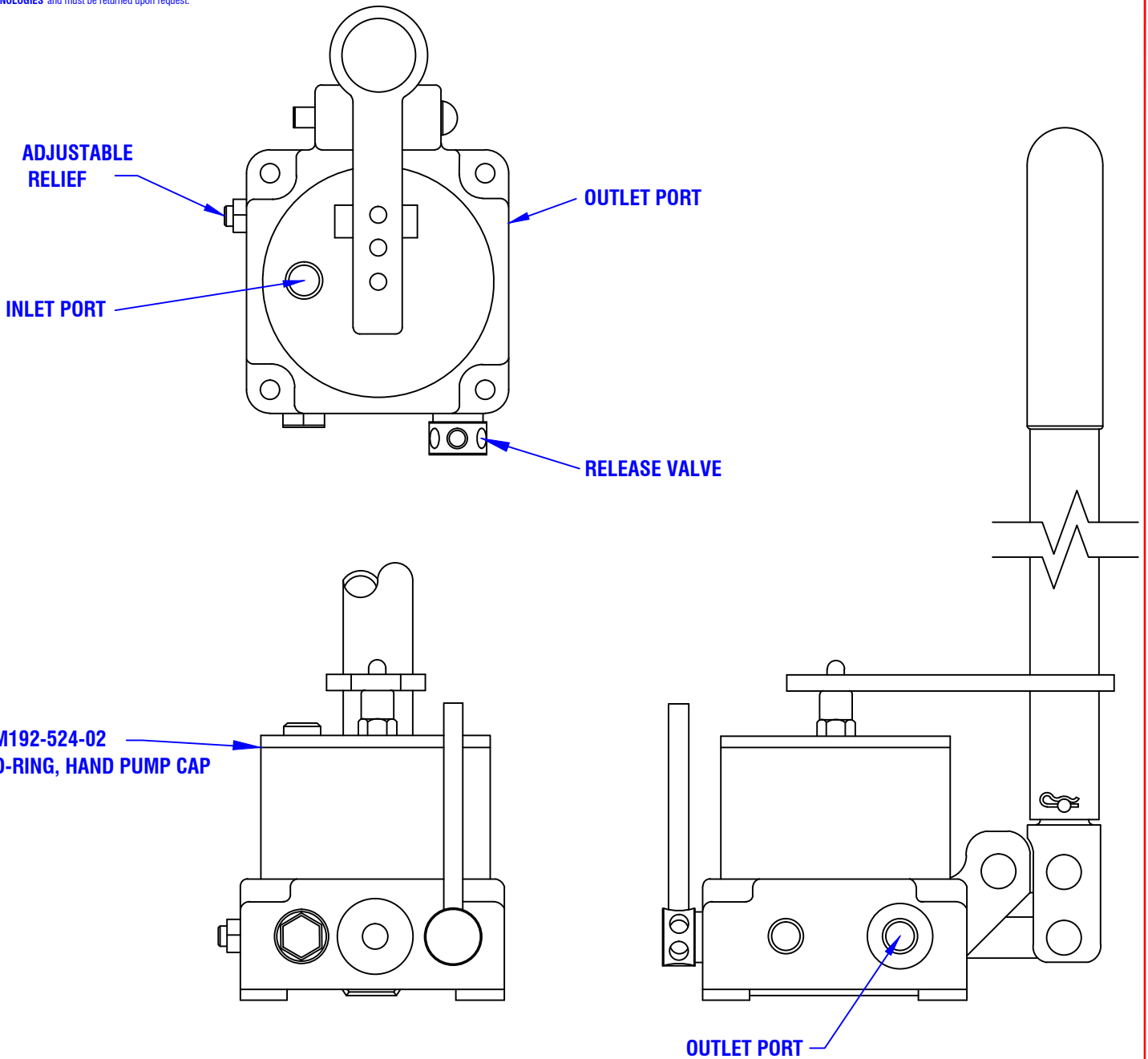


CONFIDENTIAL & PROPRIETARY

All data contained in this document is sole property of **DRY SYSTEMS TECHNOLOGIES** and is considered confidential and proprietary. This document may not be reproduced, released to third parties, or used for purposes other than for which it was furnished, without express written consent of **DRY SYSTEMS TECHNOLOGIES**. This document remains property of **DRY SYSTEMS TECHNOLOGIES** and must be returned upon request.



ADJUST RELIEF: Loosen the 9/16 nut, then using a 5/32 allen wrench, turn the screw clockwise to increase the pressure. One full turn is ~1000 psi. Set relief to 300 psi.

SECTION 4-06

TOLERANCES Linear unless noted Machined: ±0.005 Fabricated: ±0.02 Angular: ±1/2° Surface finish 125	REV	DATE	NAME	DESCRIPTION	DRY SYSTEMS TECHNOLOGIES 10420 RISING COURT WOODRIDGE, IL 60517 Phone: 630-427-2051 Fax: 630-427-1036 E-Mail: eng@drysystemstech.com	DESCRIPTION	NO RECD	
						HAND PUMP	1	
	SCALE	DATE	DRAWN BY					
	Full	JUNE 15, 2015	W Fox					
						APPROVED BY		
				DRAWING NO	M192-524-01			