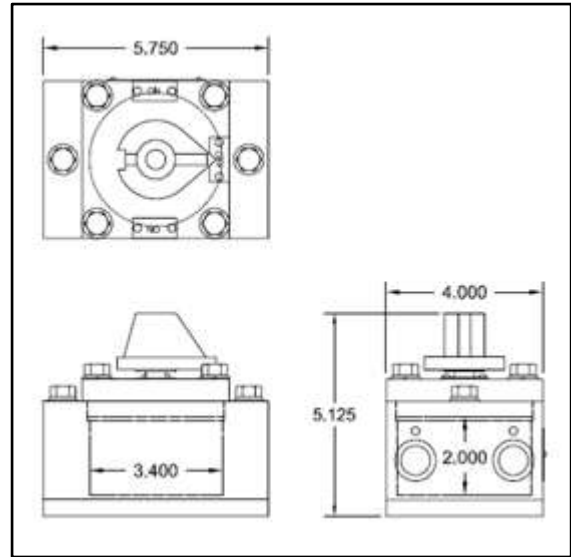
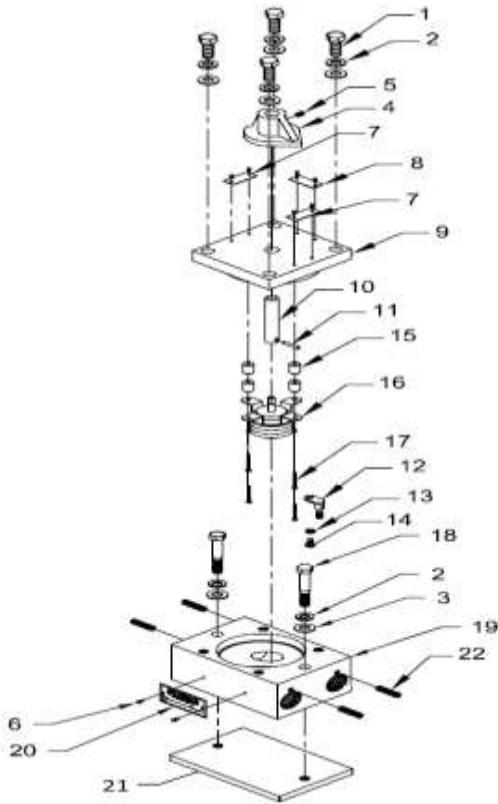


XP Model No. 20630

XP Approval No. 2456-2



Item	Part Number	Qty	Description
1	M600-106-01	4	3/8" x 1" Hex Head Bolt
2	M600-123-01	6	3/8" Lock Washer
3	M250-107-05	6	3/8" Flat Washer
4	M261-501-06	1	Aluminum Switch Knob
5	M261-501-07	1	1/4" - 20 x 1/4" Set Screw
6	M261-502-10	2	Drive Screw #4 x 3/16"
7	M261-501-04	2	On Tag
8	M261-501-05	1	Off Tag
9	M261-501-03	1	Aluminum Cover
10	M261-501-02*	1	Switch Shaft
11	M261-501-02*	1	Roll Pin 3/32" x 7/16"
12	M261-501-08	1	Ground Lug
13	M261-501-09	1	#10 Lock Washer
14	M261-501-10	1	#10 - 24 x 3/8" Round Head Screw
15	M261-501-11	4	Standoff with Swage
16	M261-501-02*	1	Switch 3 Pos.
17	M261-501-12	4	#6 - 32 Pan Head Screw
18	M600-187-01	2	3/8" - 16 x 3" Hex Head Bolt
19	M261-501-13	1	Aluminum Housing
20	M261-501-14	1	Certification Tag
21	M261-501-15	1	Weld Plate
22	M261-502-08	1	Set Screw 1/4" - 20 x 1"

*Part of the Switch & Shaft Assembly
M261-501-02, not sold individually