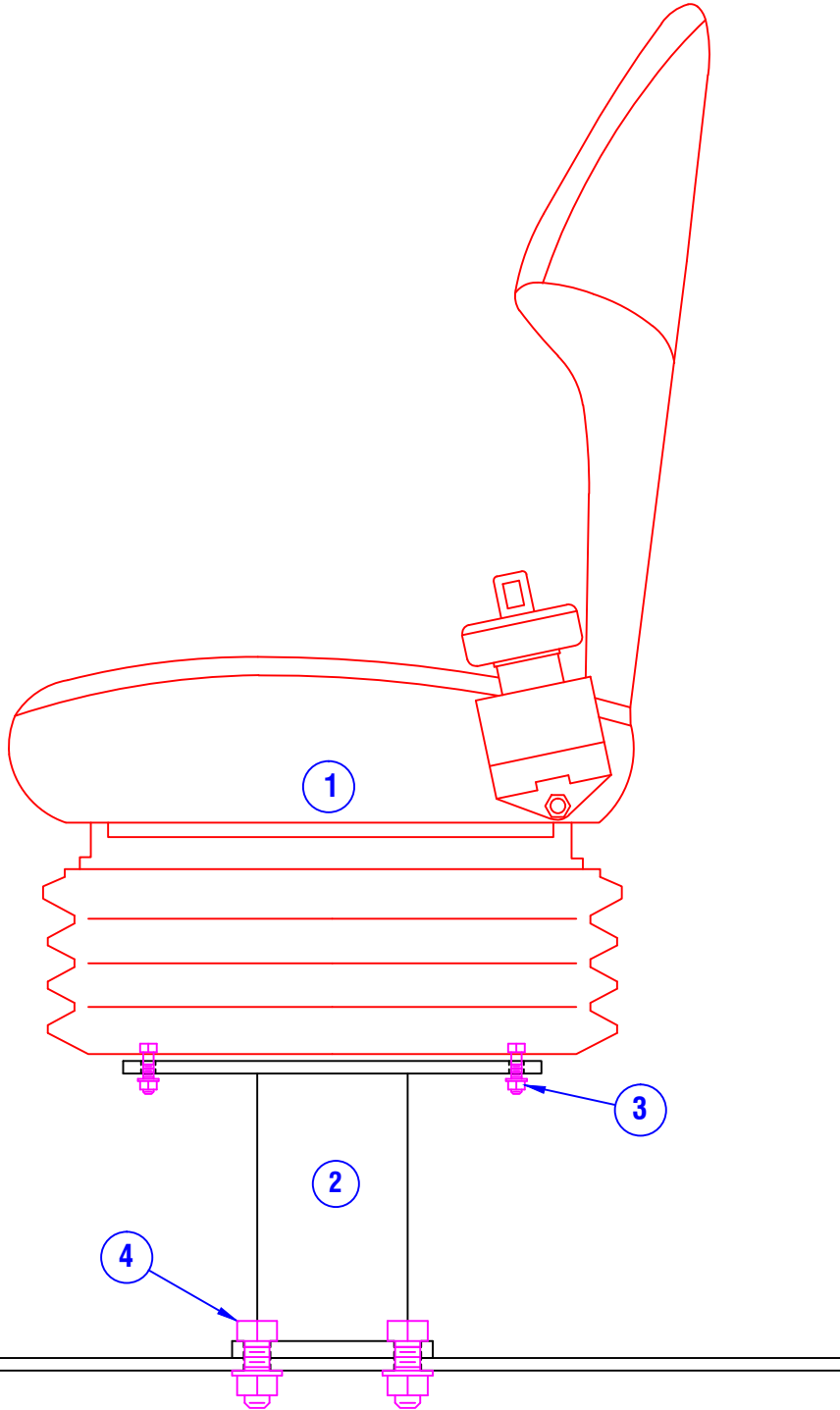


**CONFIDENTIAL & PROPRIETARY**

All data contained in this document is sole property of DRY SYSTEMS TECHNOLOGIES and is considered confidential and proprietary.

This document may not be reproduced, released to third parties, or used for purposes other than for which it was furnished, without express written consent of DRY SYSTEMS TECHNOLOGIES.

This document remains property of DRY SYSTEMS TECHNOLOGIES and must be returned upon request.



**CAB FLOOR**

ITEM	PART NUMBER	QUAN.	DESCRIPTION
1	M350-531-02	1	SEAT, AIR RIDE, W/SEAT BELT, DST LOGO
2	M350-244-00	1	SEAT MOUNT
3	M515-500-10	4	HEX HEAD CAPSCREW, 5/16-18 X 1 1/4 GR 8
	M600-126-01	4	LOCK WASHER, 5/16
	M515-560-05	4	NUT, 5/16
4	M515-500-13	4	HEX HEAD CAPSCREW, 3/4-10 X 2 GR 8
	M515-530-04	4	LOCK WASHER, 3/4
	M515-530-11	4	FLAT WASHER, 3/4
	M515-560-17	4	NUT, 3/4-10

**TOLERANCES**

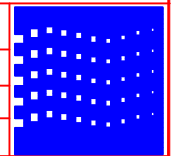
Linear unless noted  
 Machined:  $\pm 0.005$   
 Fabricated:  $\pm 0.02$   
 Angular:  $\pm 1/2^\circ$   
 Surface finish 125

REV	DATE	NAME	DESCRIPTION

**DRY SYSTEMS TECHNOLOGIES**

10420 RISING COURT  
 WOODRIDGE, IL 60517  
 Phone: 630-427-2051 Fax: 630-427-1036  
 E-Mail: [eng@drysystemstech.com](mailto:eng@drysystemstech.com)

DESCRIPTION			NO RECD
FRONT SEAT INSTALLATION			1
SCALE	DATE	DRAWN BY	
Full	May 4 2015	W Fox	
MATERIAL	APPROVED BY		
DRAWING NO	M350-531-02		



**SECTION 4-06**