

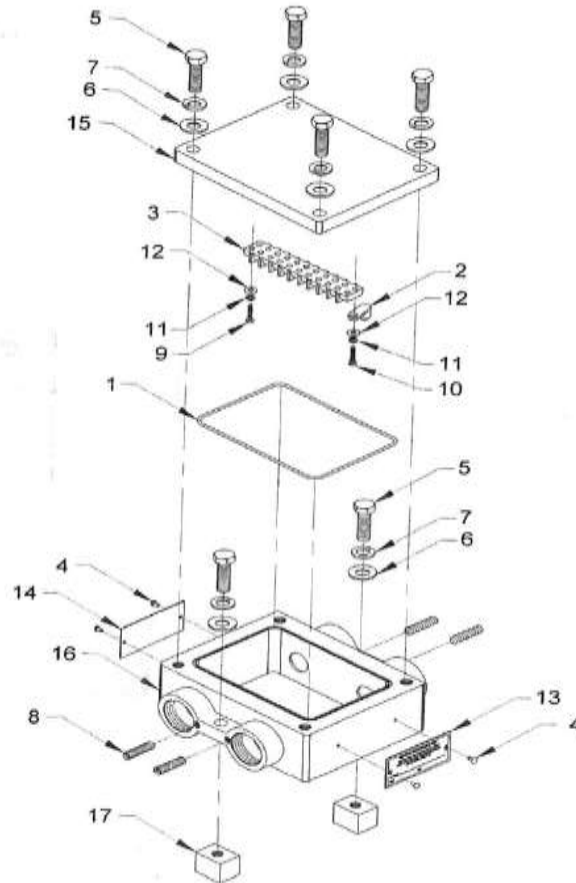
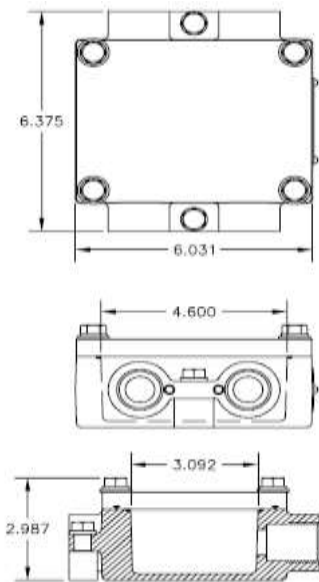
**Dry Systems
Technologies**

M261-513-01 Connection Box

PA Approval No. 1185-92

XP Model No. 35400

XP Approval No. 3844-1



Item	Part Number	Qty	Description
1	M261-512-06	1	O-Ring
2	M261-501-08	1	Ground Lug
3	M261-513-03	1	9 Point Terminal Block
4	M261-502-10	4	#4 x 3/16" Drive Screw
5	M600-124-01	6	3/8"-16 x 1-1/4" Hex Head Bolt
6	M250-107-05	6	3/8" Flat Washer
7	M600-123-01	6	3/8" Lock Washer
8	M261-502-08	4	1/4"-20 x 1" SS Set Screw
9	M261-513-07	1	#6-32 x 1/2" Round Head Screw
10	M261-513-06	1	#6-32 x 5/8" Round Head Screw
11	M261-503-05	2	#6 Lock Washer
12	M261-513-04	2	M 3.5 Flat Washer
13	M261-501-14	1	Certification Tag
14	M261-502-12	1	PA Tag
15	M261-513-02	1	Aluminum Cover
16	M261-529-14	1	Housing
17	M261-529-15	2	Weld Pad