

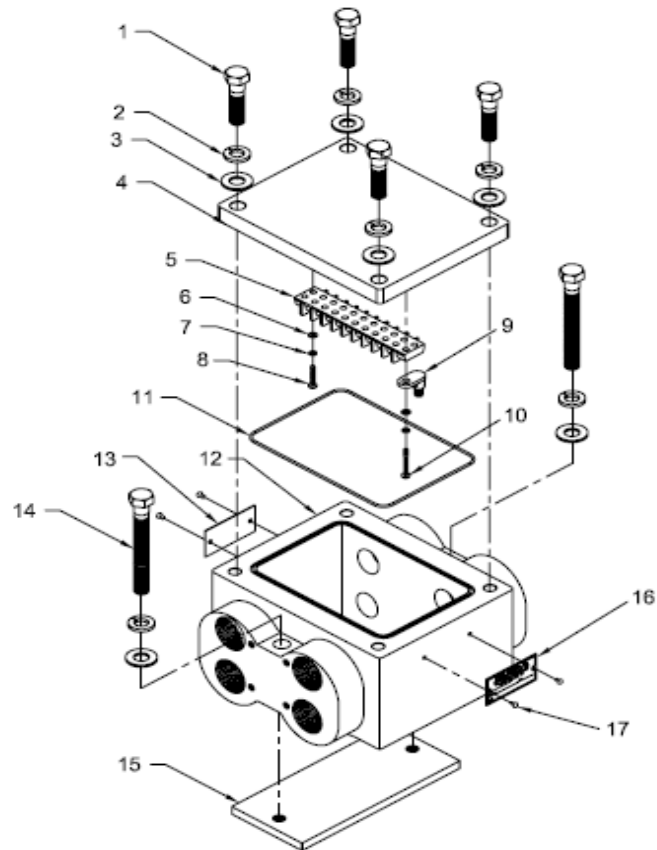
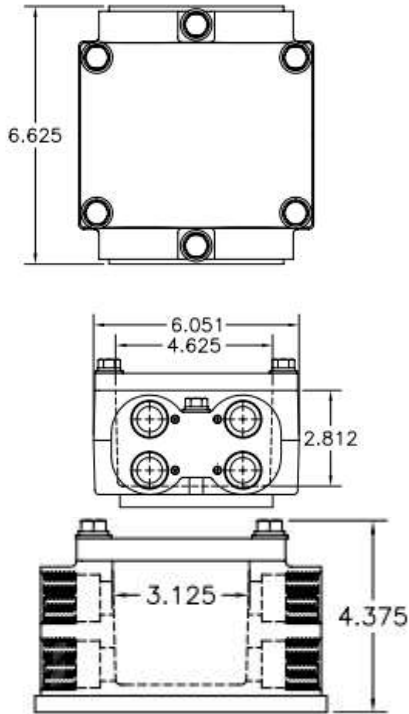
Dry Systems Technologies®

M261-532-01 Connection Box

PA Approval No. 1185-92

XP Model No. 35400

XP Approval No. 3844-1



Item	Part Number	Qty	Description
1	M600-124-01	4	3/8"-16 x 1 1/4" Hex Head Bolt
2	M600-123-01	6	3/8" Lock Washer
3	M250-107-05	6	3/8" Flat Washer
4	M261-513-02	1	Aluminum Cover
5	M261-513-03	1	9 Point Terminal Block
6	M261-513-04	2	#6 Flat Washer
7	M261-543-11	2	#6 Lock Washer
8	M261-513-07	1	#6-32 x 1/2" Round Head Screw
9	M261-501-08	1	Ground Lug
10	M261-513-06	1	#6-32 x 5/8" Round Head Screw
11	M261-512-06	1	O-Ring
12	M261-512-07	1	Housing
13	M261-502-12	1	PA Tag
14	M600-187-01	2	3/8"-16 x 3" Hex Head Bolt
15	M261-512-08	1	Weld Pad
16	M261-501-14	1	Certification Tag
17	M261-502-10	4	Drive Screw #4 x 3/16"