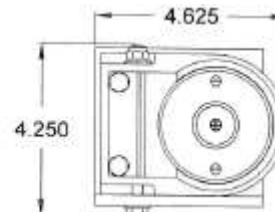
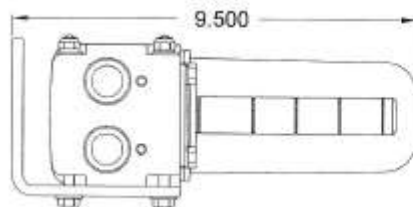
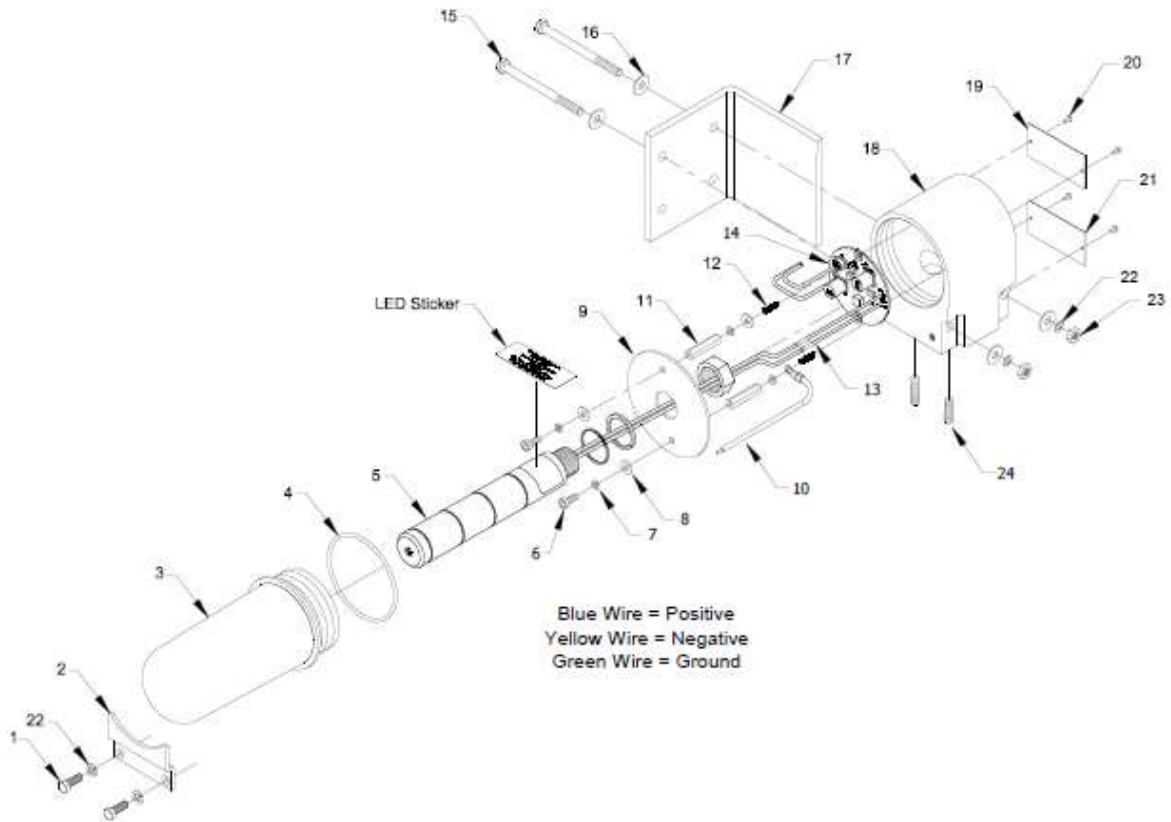
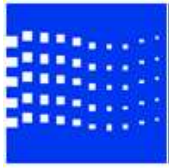




PA Approval No. 1185-92
XP Model No. 27434-LP
XP Approval No. 3843-2



LP Aluminum area light with "L" mounting bracket, blue flashing.



<u>Item</u>	<u>Qty</u>	<u>Part Number</u>	<u>Description</u>
1	2	M600-191-01	1/4"-20 x 1/2" Hex Head Bolt
2	1	M261-543-06	Locking Clip
3	1	M261-543-05	Short Clear Globe
4	1	M261-502-03	2-3/4" Silicone O-Ring
5	1	M261-543-15	Blue LED Stack 24V AC/DC
6	2	M261-543-16	#6-32 x 1/2" Socket Head Screw
7	4	M261-543-11	#6 Lock Washer
8	3	M261-529-21	#6 Flat Washer
9	1	M261-543-08	LED Stack Mounting Bracket
10	1	M261-543-09	Ground Wire Assembly
11	2	M261-543-17	1/4" Hex Standoff 3/4" Long
12	2	M261-543-12	#6-32 x 3/4" Socket Set Screw
13	2	M261-543-18	Pink Butt Splice
14	1	M261-543-03	12/24 VDC Flashing Circuit Board
15	2	M601-107-01	1/4"-20 x 4" Hex Head Bolt
16	4	M601-102-01	1/4" Flat Washer
17	1	M261-543-07	"L" Mounting Bracket
18	1	M261-543-04	LP Aluminum Housing
19	1	M261-502-12	PA Tag
20	4	M261-502-10	#4 x 3/16" Drive Screw
21	1	M261-501-14	Certification Tag
22	4	M601-103-01	1/4" Lock Washer
23	2	M601-193-01	1/4"-20 UNC Hex Nut
24	1	M261-502-08	1/4"-20 x 1" SS Set Screw