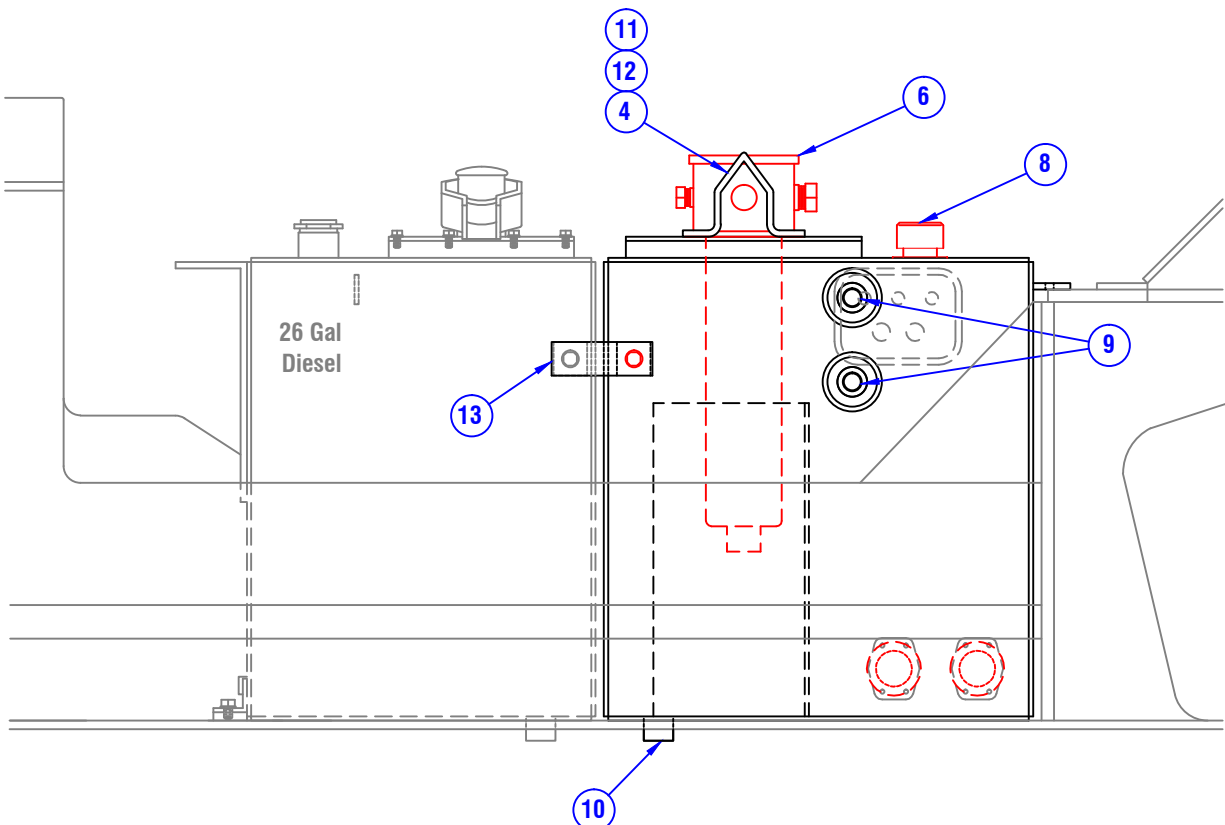
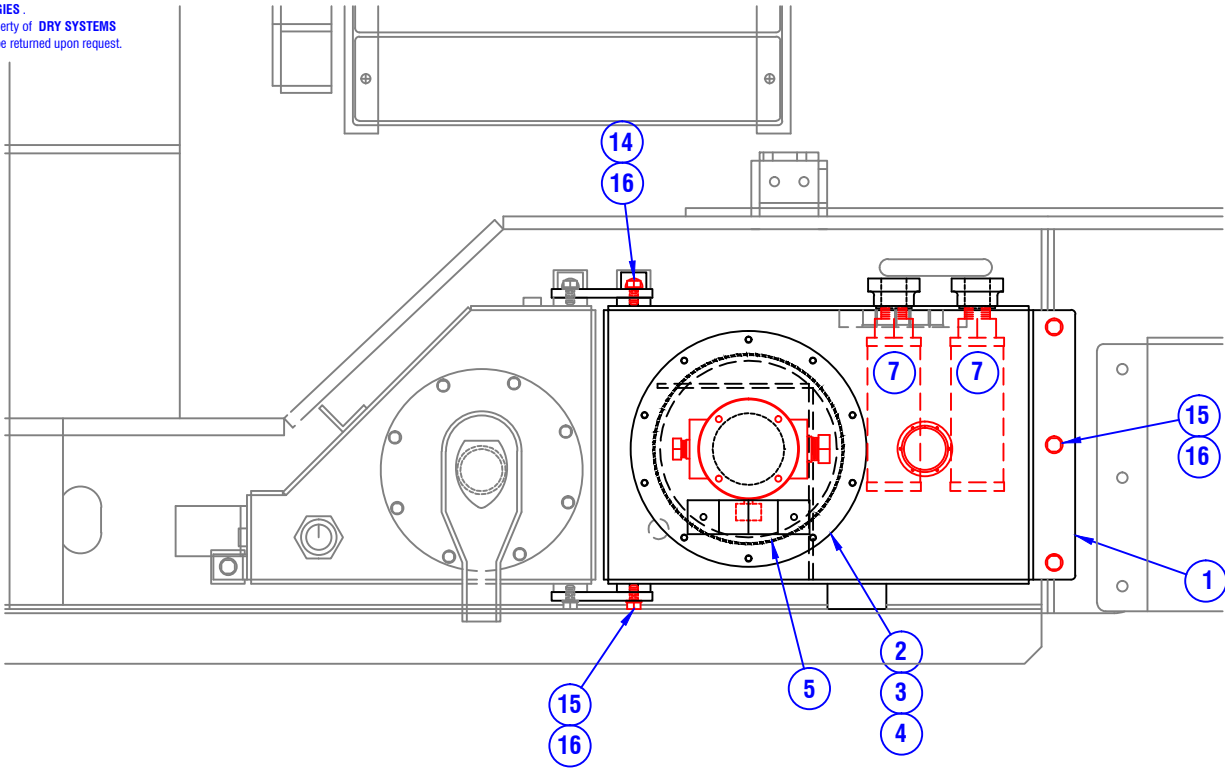


CONFIDENTIAL & PROPRIETARY

All data contained in this document is sole property of **DRY SYSTEMS TECHNOLOGIES** and is considered confidential and proprietary. This document may not be reproduced, released to third parties, or used for purposes other than for which it was furnished, without express written consent of **DRY SYSTEMS TECHNOLOGIES**. This document remains property of **DRY SYSTEMS TECHNOLOGIES** and must be returned upon request.

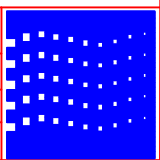


SECTION 4-11

TOLERANCES	
Linear unless noted	
Machined: ±0.005	
Fabricated: ±0.02	
Angular: ±1/2°	
Surface finish 125	

DRY SYSTEMS TECHNOLOGIES
 10420 RISING COURT
 WOODRIDGE, IL 60517
 Phone: 630-427-2051 Fax: 630-427-1036
 E-Mail: eng@drysystemstech.com

DESCRIPTION		NO RECD
HYDRAULIC TANK ASSEMBLY		1
SCALE	DATE	DRAWN BY
Full	March 15 2015	W Fox
MATERIAL	APPROVED BY	
DRAWING NO	M365-221-01	



HYDRAULIC TANK ASSEMBLY

ITEM	PART NUMBER	QUAN.	DESCRIPTION	NOTES
	M365-221-01	1	HYDRAULIC TANK ASSEMBLY	INCLUDES 1-12
1	M365-221-02	1	WELDMENT, HYDRAULIC TANK	
2	M365-221-03	1	COVER, HYDRAULIC TANK	
3	M503-507-01	10	HEX HEAD CAPSCREW, 3/8-16 X 1 GR8	
4	M600-123-01	12	LOCK WASHER 3/8	
5	M365-221-04	1	O-RING, COVER, HYDRAULIC TANK	
6	M192-566-01	1	FILTER, HYDRAULIC RETURN, TANK MOUNTED	Ref 5-31
	M192-566-03	1	O-RING	
	m350-553-05	1	GAUGE, INDICATOR	
7	M192-561-01	2	STRAINER, SUCTION, MAGNETIC	
8	M350-554-01	1	CAP, FILL, HYDRAULIC, NON PRESSURIZED	
	M350-554-02	1	GASKET, HYDRAULIC FILL CAP	
9	M350-556-01	2	WINDOW SIGHT GLASS, HYDRAULIC	
10	M511-550-01	1	PLUG, TANK DRAIN	
11	M350-893-01	1	GUARD, FILTER RESTRICTION GAUGE	
12	M350-893-01	2	HEX HEAD CAP SCREW, 3/8-16 X 3/4 GR8	
13	M365-222-05	2	STRAP, MOUNTING, 1/2 X 6 X 2	Same as Fuel Tank
14	M515-500-39	1	HEX HEAD CAP SCREW, 1/2-13 X 3/4 GR8	
15	M509-528-01	5	HEX HEAD CAP SCREW, 1/2-13 X 1 GR8	
16	M600-110-01	6	LOCK WASHERS, 1/2	