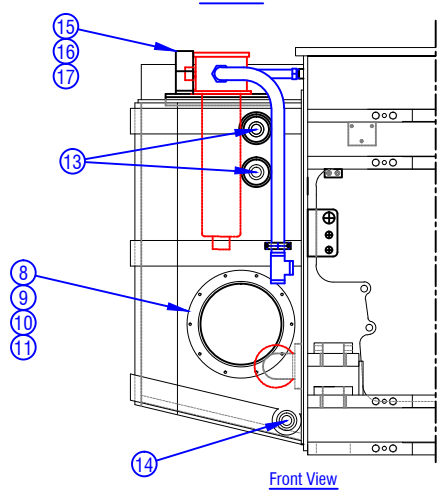
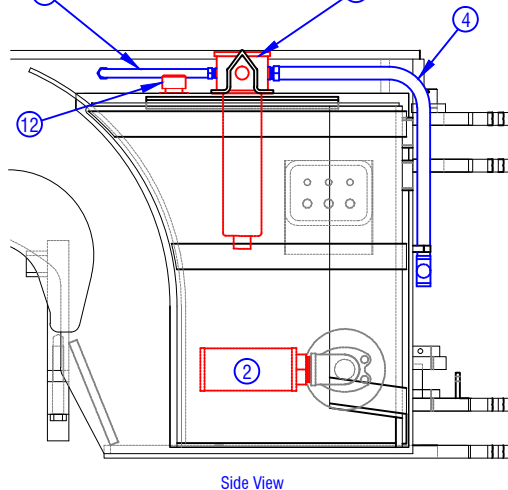
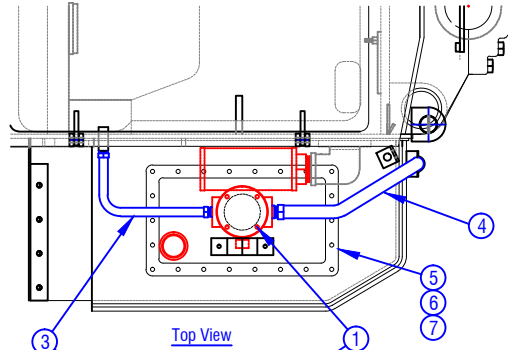


CONFIDENTIAL & PROPRIETARY

All data contained in this document is sole property of **DRY SYSTEMS TECHNOLOGIES** and is considered confidential and proprietary.

This document may not be reproduced, released to third parties, or used for purposes other than for which it was furnished, without express written consent of **DRY SYSTEMS TECHNOLOGIES**.

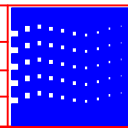
This document remains property of **DRY SYSTEMS TECHNOLOGIES** and must be returned upon request.



TOLERANCES	
Linear unless noted	
Machined: ±0.005	
Fabricated: ±0.02	
Angular: ±1/2°	
Surface finish 125	

DRY SYSTEMS TECHNOLOGIES
 10420 RISING COURT
 WOODRIDGE, IL 60517
 Phone: 630-427-2051 Fax: 630-427-1036
 E-Mail: eng@dryssystemstech.com

DESCRIPTION		NO. RECS
3S HYDRAULIC TANK		
SCALE	DATE	DRAWN BY
Full	Mar 23 2015	Ward Fox
MATERIAL		APPROVED BY
DRAWING NO.	SECTION 4-12	



HYDRAULIC TANK COMPONENTS

ITEM	PART NUMBER	QUAN.	DESCRIPTION	NOTES
1	M350-553-01	1	FILTER, HYDRAULIC RETURN, TANK MOUNTED	See Section 5-40
	M350-553-04	1	FILTER, HYDRAULIC RETURN, GASKET	
	M350-553-05	1	FILTER, HYDRAULIC RETURN, INDICATOR GAUGE	
2	M350-664-01	1	STRAINER, SUCTION, MAGNET 3"	
3	M350-892-09	1	TUBE, STEER VALVE RETURN	
4	M350-892-10	1	TUBE, MAIN VALVE RETURN	
5	M350-596-01	1	COVER, TOP HYDRAULIC TANK	
	M350-596-02	1	COVER, TOP HYDRAULIC TANK, GASKET	
6	M515-500-17	22	HEX HEAD CAPSCREW, 1/2-13 X 1 1/4 GR8	
7	M600-110-01	22	LOCK WASHERS 1/2	
8	M350-597-01	1	PLATE, INSPECTION, HYDRAULIC TANK	
9	M600-125-01	10	HEX HEAD CAPSCREW, 5/16-18 X 1 GR8	
10	M600-126-01	10	LOCKWASHERS 5/16	
11	M350-873-01	1	O-RING, INSPECTION PLATE, HYDRAULIC TANK	
12	M350-554-01	1	CAP, FILL, HYDRAULIC, NON PRESSURIZED	
13	M350-556-02	2	WINDOW SIGHT GLASS, HYD, #12 ORB	
14	M511-550-01	1	PLUG, HYDRAULIC TANK DRAIN, 6408-H-12	
15	M350-893-01	1	GUARD, FILTER RESTRICTION GAUGE	
16	M515-500-18	2	HEX HEAD CAPSCREW, 3/8-16 X 3/4 GR8	
17	M600-123-01	2	LOCKWASHERS 3/8	