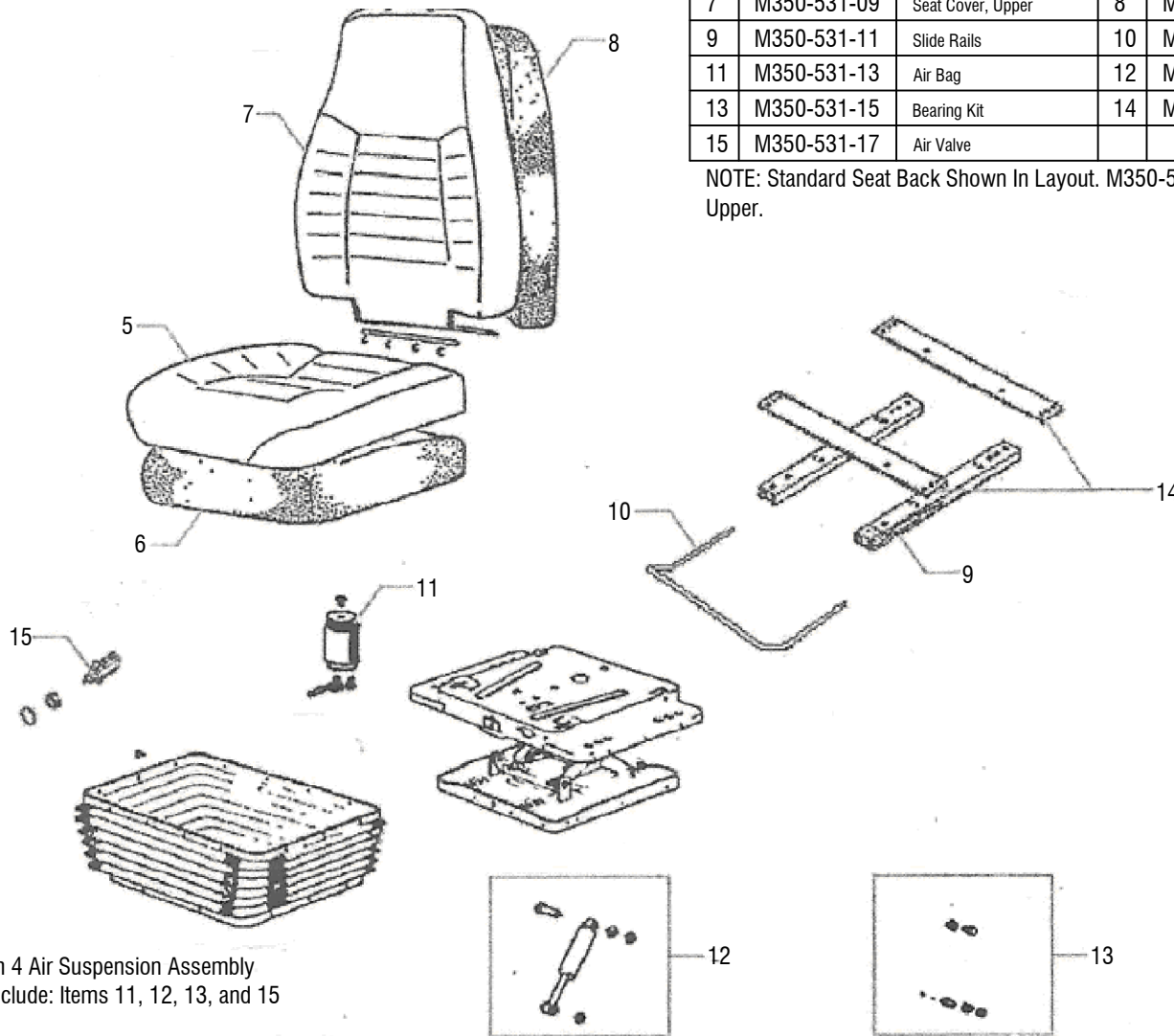


CONFIDENTIAL & PROPRIETARY

All data contained in this document is sole property of **DRY SYSTEMS TECHNOLOGIES** and is considered confidential and proprietary. This document may not be reproduced, released to third parties, or used for purposes other than for which it was furnished, without express written consent of **DRY SYSTEMS TECHNOLOGIES**. This document remains property of **DRY SYSTEMS TECHNOLOGIES** and must be returned upon request.

Item	Part Number	Description	Item	Part Number	Description
1	M350-531-02	Seat Assy, Complete	2	M350-531-04	Seat Assy, Upper
3	M350-531-05	Seat Belt (not shown)	4	M350-531-06	Air Suspension Assembly
5	M350-531-07	Seat Cover, Lower	6	M350-531-08	Seat Foam, Lower
7	M350-531-09	Seat Cover, Upper	8	M350-531-10	Seat Foam, Upper
9	M350-531-11	Slide Rails	10	M350-531-12	Handle
11	M350-531-13	Air Bag	12	M350-531-14	Damper Kit
13	M350-531-15	Bearing Kit	14	M350-531-16	Mounting Bars, Pair
15	M350-531-17	Air Valve			

NOTE: Standard Seat Back Shown In Layout. M350-531-02 Seat Has A T-Back Upper.



*Item 4 Air Suspension Assembly
To Include: Items 11, 12, 13, and 15

SECTION 4-17

TOLERANCES			
Linear unless noted			
Machined: ±0.005			
Fabricated: ±0.02			
Angular: ±1/2°			
Surface finish 125			
REV	DATE	NAME	DESCRIPTION

DRY SYSTEMS TECHNOLOGIES
1430 U.S. HWY 45N
VIENNA, IL 62995
Phone: 618-658-3000 Fax: 618-658-3002
E-Mail: eng@drysystemstech.com

DESCRIPTION			NO RECD
Seat Assembly			1
SCALE	DATE	DRAWN BY	
FIT	Nov - 2015	ELR	
MATERIAL		APPROVED BY	
See Detail Drawings			
DRAWING NO		M350-531-02	

