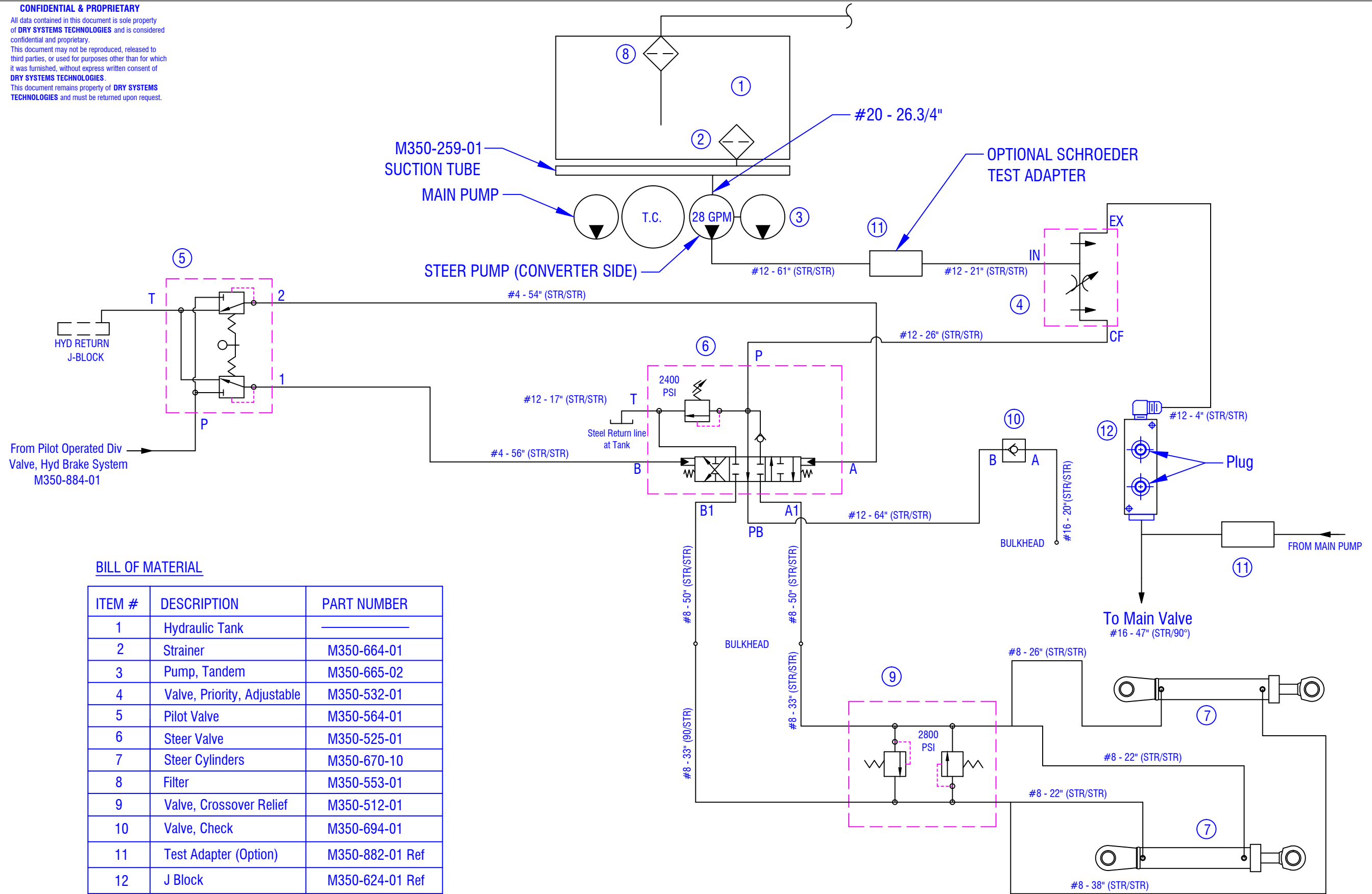


**CONFIDENTIAL & PROPRIETARY**

All data contained in this document is sole property of **DRY SYSTEMS TECHNOLOGIES** and is considered confidential and proprietary. This document may not be reproduced, released to third parties, or used for purposes other than for which it was furnished, without express written consent of **DRY SYSTEMS TECHNOLOGIES**. This document remains property of **DRY SYSTEMS TECHNOLOGIES** and must be returned upon request.



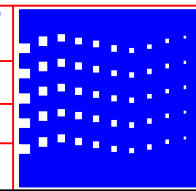
**BILL OF MATERIAL**

ITEM #	DESCRIPTION	PART NUMBER
1	Hydraulic Tank	_____
2	Strainer	M350-664-01
3	Pump, Tandem	M350-665-02
4	Valve, Priority, Adjustable	M350-532-01
5	Pilot Valve	M350-564-01
6	Steer Valve	M350-525-01
7	Steer Cylinders	M350-670-10
8	Filter	M350-553-01
9	Valve, Crossover Relief	M350-512-01
10	Valve, Check	M350-694-01
11	Test Adapter (Option)	M350-882-01 Ref
12	J Block	M350-624-01 Ref

TOLERANCES			
Linear unless noted			
Machined: ±0.005			
Fabricated: ±0.02			
Angular: ±1/2°			
Surface finish 125			

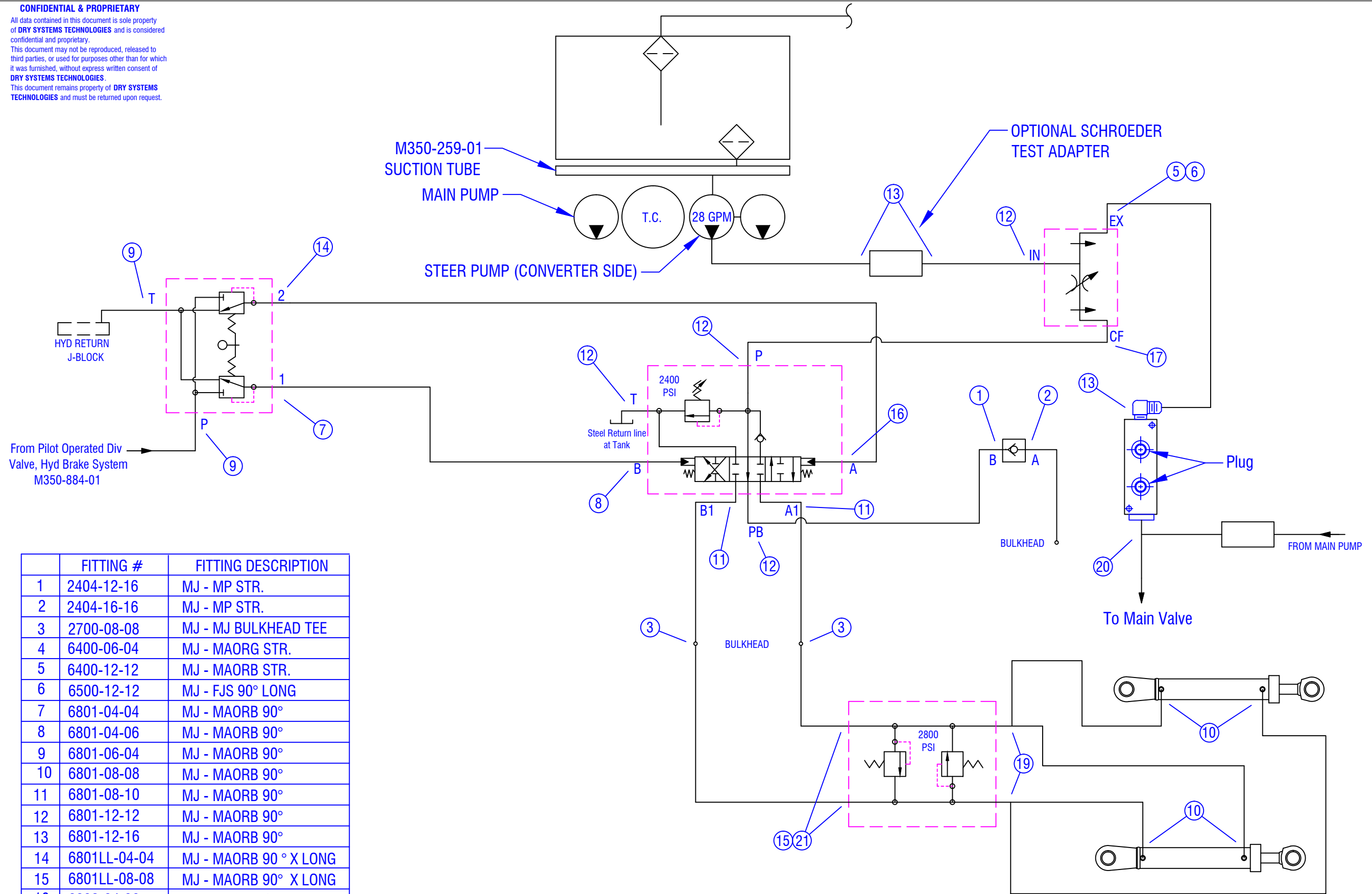
**DRY SYSTEMS TECHNOLOGIES**  
 8102 LEMONT ROAD, SUITE 700  
 WOODRIDGE, IL 60517  
 Phone: 630-427-2051 Fax: 630-427-1036  
 E-Mail: eng@drysystechnology.com

DESCRIPTION			NO RECD
Hydraulic Dia Steering			
SCALE	DATE	DRAWN BY	
NONE	JULY 2014	DHR	
MATERIAL	APPROVED BY		
DRAWING NO	<b>M350-001-05</b>		



**CONFIDENTIAL & PROPRIETARY**

All data contained in this document is sole property of **DRY SYSTEMS TECHNOLOGIES** and is considered confidential and proprietary. This document may not be reproduced, released to third parties, or used for purposes other than for which it was furnished, without express written consent of **DRY SYSTEMS TECHNOLOGIES**. This document remains property of **DRY SYSTEMS TECHNOLOGIES** and must be returned upon request.



	FITTING #	FITTING DESCRIPTION
1	2404-12-16	MJ - MP STR.
2	2404-16-16	MJ - MP STR.
3	2700-08-08	MJ - MJ BULKHEAD TEE
4	6400-06-04	MJ - MAORG STR.
5	6400-12-12	MJ - MAORB STR.
6	6500-12-12	MJ - FJS 90° LONG
7	6801-04-04	MJ - MAORB 90°
8	6801-04-06	MJ - MAORB 90°
9	6801-06-04	MJ - MAORB 90°
10	6801-08-08	MJ - MAORB 90°
11	6801-08-10	MJ - MAORB 90°
12	6801-12-12	MJ - MAORB 90°
13	6801-12-16	MJ - MAORB 90°
14	6801LL-04-04	MJ - MAORB 90° X LONG
15	6801LL-08-08	MJ - MAORB 90° X LONG
16	6802-04-06	MJ - MAORB 45°
17	6802-12-12	MJ - MAORB 45°
18	6804-04-04-04	MJ - MAORB - MJ TEE
19	6804-08-08-08	MJ - MAORB - MJ TEE
20	6804-16-16-16	MJ - MAORB - MJ TEE
21	6815-08-08	MAORB - FORB 90°

**SECTION 5-01 2 OF 2**

TOLERANCES			
Linear unless noted			
Machined: ±0.005			
Fabricated: ±0.02			
Angular: ±1/2°			
Surface finish 125			

**DRY SYSTEMS TECHNOLOGIES**  
 8102 LEMONT ROAD, SUITE 700  
 WOODRIDGE, IL 60517  
 Phone: 630-427-2051 Fax: 630-427-1036  
 E-Mail: eng@drysystechnology.com

DESCRIPTION			NO RECD
Hydraulic Dia Steering			
SCALE	DATE	DRAWN BY	
NONE	9-23-19	JLW	
MATERIAL	APPROVED BY		
DRAWING NO			
<b>FITTING DWG</b>			

