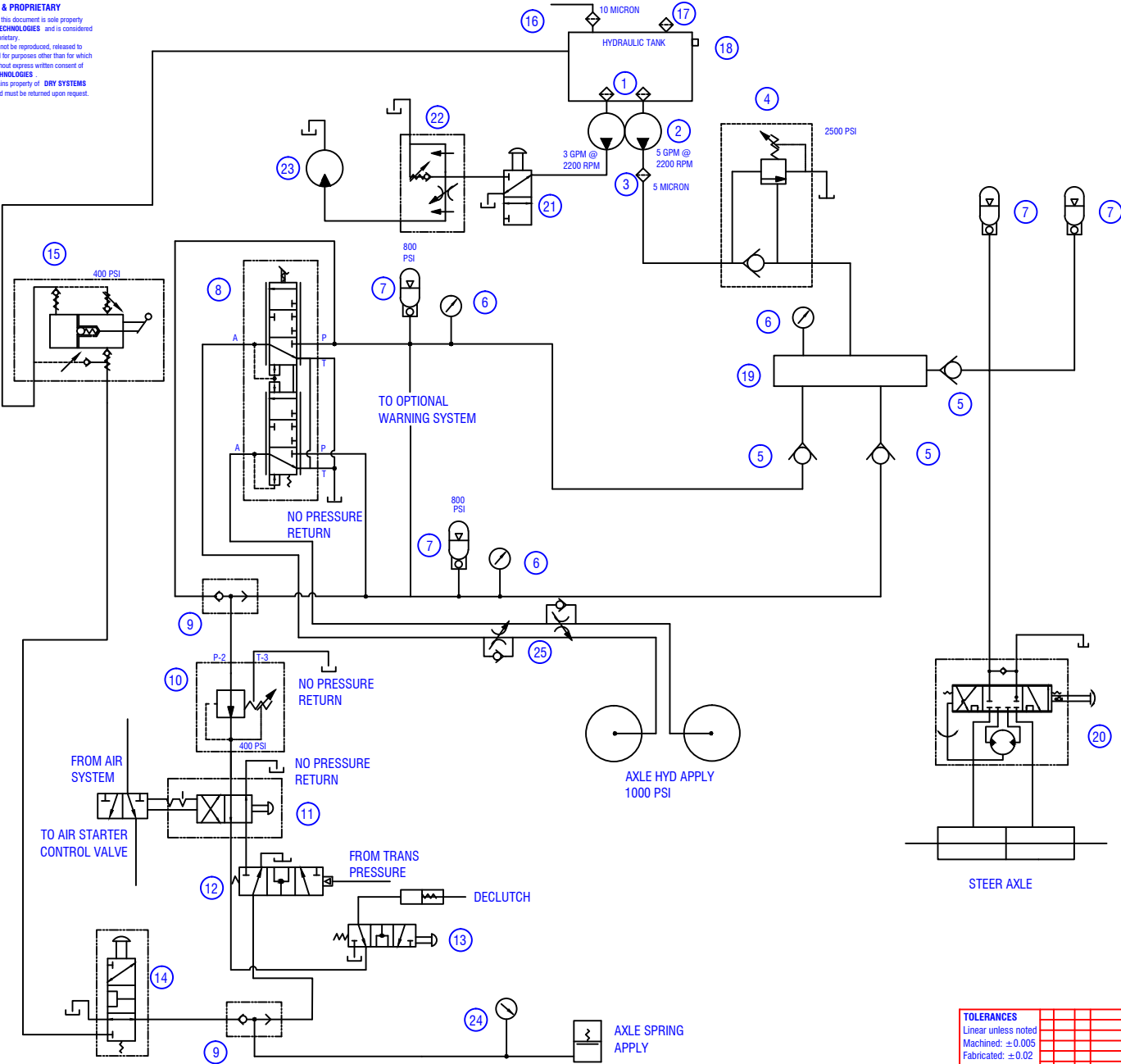


CONFIDENTIAL & PROPRIETARY
 All data contained in this document is sole property of DRY SYSTEMS TECHNOLOGIES and is considered confidential and proprietary.
 This document may not be reproduced, released to third parties, or used for purposes other than for which it was furnished, without express written consent of DRY SYSTEMS TECHNOLOGIES.
 This document remains property of DRY SYSTEMS TECHNOLOGIES and must be returned upon request.



BILL OF MATERIAL

ITEM #	DESCRIPTION	PART NUMBER
1	Strainer	M379-520-10
2	Pump	M375-508-01
3	Filter	M192-540-01
3A	Filter Element	M192-540-02
4	Unloading Valve	M375-506-01
5	Check Valve	M350-580-01
6	Gauge 0-3000 PSI	M350-891-01
7	Accumulator	M192-533-01
8	Brake Valve	M192-532-03
9	Shuttle Valve	M350-655-01
10	Press Reducing Valve	M192-528-01
11	Park Brake Valve	M365-508-01
12	Park Brake Discharge Valve	M350-888-01
13	Declutch Bypass Valve	M350-562-05
14	Hand Pump Release Valve	M350-562-05
15	Hand Pump	M192-524-01
16	Return Filter Head	M379-513-01
16A	Return Filter Element	M379-513-02
17	Tank Filler/Breather	M350-554-01
18	Sight Glass	M350-556-01
19	Manifold	M350-621-01
20	Steering Orbitrol	M375-505-01
21	Diverter Valve	M500-542-01
22	Flow Divider	M375-538-01
23	Blower Motor	M375-530-03
24	Gauge 0-1000 PSI	M513-503-01
25	Flow Control	M375-546-01

TOLERANCES

Linear unless noted	
Machined: ± 0.005	
Fabricated: ± 0.02	
Angular: ± 1/2°	
Surface finish 125	

DRY SYSTEMS TECHNOLOGIES
 10420 RISING COURT
 WOODBRIDGE, IL 60517
 Phone: 815-427-5851 Fax: 815-427-5108
 E-Mail: info@dryssystemstech.com

DESCRIPTION	DST14PCFP HYD SCHEMATIC		REV	001
DATE	Jan 8, 2018	DESIGNED BY	R Gibbs	
DATE		APPROVED BY		
DATE		DATE		
DRAWN BY			M375-001-02	

