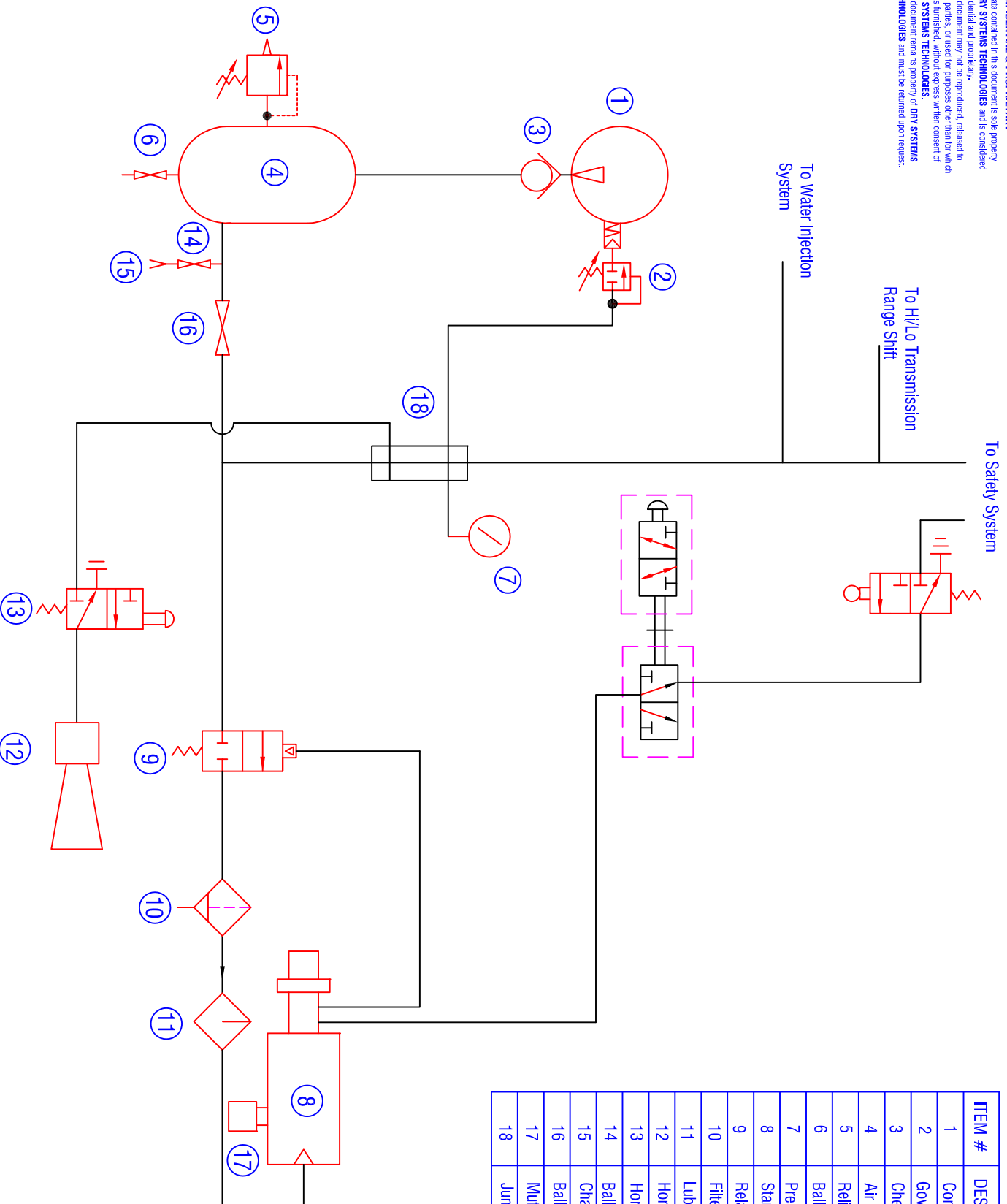


All data contained in this document is sole property of DRY SYSTEMS TECHNOLOGIES and is considered confidential and proprietary. This document may not be reproduced, released to third parties, or used for purposes other than for which it was furnished, without express written consent of DRY SYSTEMS TECHNOLOGIES. This document remains property of DRY SYSTEMS TECHNOLOGIES and must be returned upon request.



ITEM #	DESCRIPTION	PART NUMBER
1	Compressor	Supplied w/ Engine
2	Governor	M350-576-01
3	Check Valve	M350-577-01
4	Air Tank 24 Gal	M350-514-01
5	Relief Valve	M350-517-01
6	Ball Valve 1/4"	M350-573-01
7	Pressure Gauge	M350-886-01
8	Starter	M250-510-01
9	Relay Valve	M250-511-01
10	Filter	M250-513-01
11	Lubricator	M250-512-01
12	Horn	M350-571-01
13	Horn Valve	
14	Ball Valve 1/2"	M350-579-01
15	Charge Point	M350-574-01
16	Ball Valve, 1"	
17	Muffer	M507-682-01
18	Junction Block	M350-621-01

TOLERANCES		DRY SYSTEMS TECHNOLOGIES	
Linear unless noted		10420 RISING COURT	
Machined: ±0.005		WOODBRIDGE, IL 60517	
Fabricated: ±0.02		Phone: 630-427-2051 Fax: 630-427-1006	
Angular: ±1/2°		E-Mail: info@DRYSYSTEMS.COM	
Surface finish 125			
DESCRIPTION		SCALE	
Air Start Circuit-Cummins 8.3		NONE	
NO RECD		DATE	
		March 29, 2018	
		DRAWN BY	
		R Gibbs	
		APPROVED BY	
		DRAWINGS TO	
		M384-004-02	

