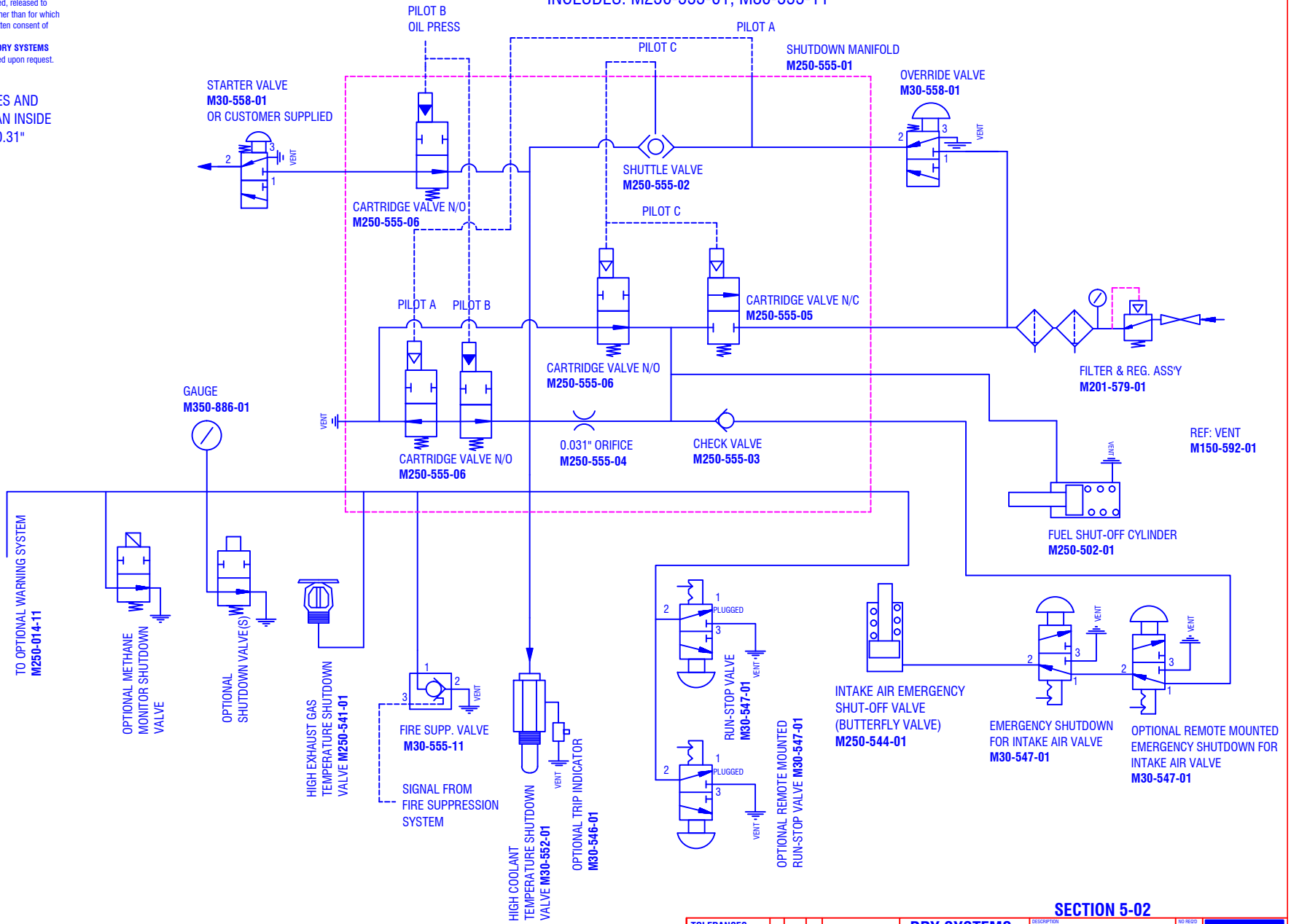


CONFIDENTIAL & PROPRIETARY

All data contained in this document is sole property of **DRY SYSTEMS TECHNOLOGIES** and is considered confidential and proprietary. This document may not be reproduced, released to third parties, or used for purposes other than for which it was furnished, without express written consent of **DRY SYSTEMS TECHNOLOGIES**. This document remains property of **DRY SYSTEMS TECHNOLOGIES** and must be returned upon request.

ALL PNEUMATIC LINES AND HOSES MUST HAVE AN INSIDE DIAMETER OF 0.25"-0.31"

SAFETY SHUTDOWN ASSY
M250-555-11
 INCLUDES: M250-555-01, M30-555-11



TOLERANCES

Linear unless noted	
Machined: ±0.005	
Fabricated: ±0.02	
Angular: ±1/2°	
Surface finish 125	

DRY SYSTEMS TECHNOLOGIES
 10420 RISING COURT
 WOODRIDGE, IL 60517
 Phone: 630-427-2051 Fax: 630-427-1036
 E-Mail: eng@dryssystemstech.com

SECTION 5-02
SHUTDOWN SYSTEM

SCALE	DATE	DESIGNED BY	NO REVISIONS
	Dec 16, 2015	R GIBBS	
MATERIALS		APPROVED BY	
See Detail Drawings			
M250-019-02			

