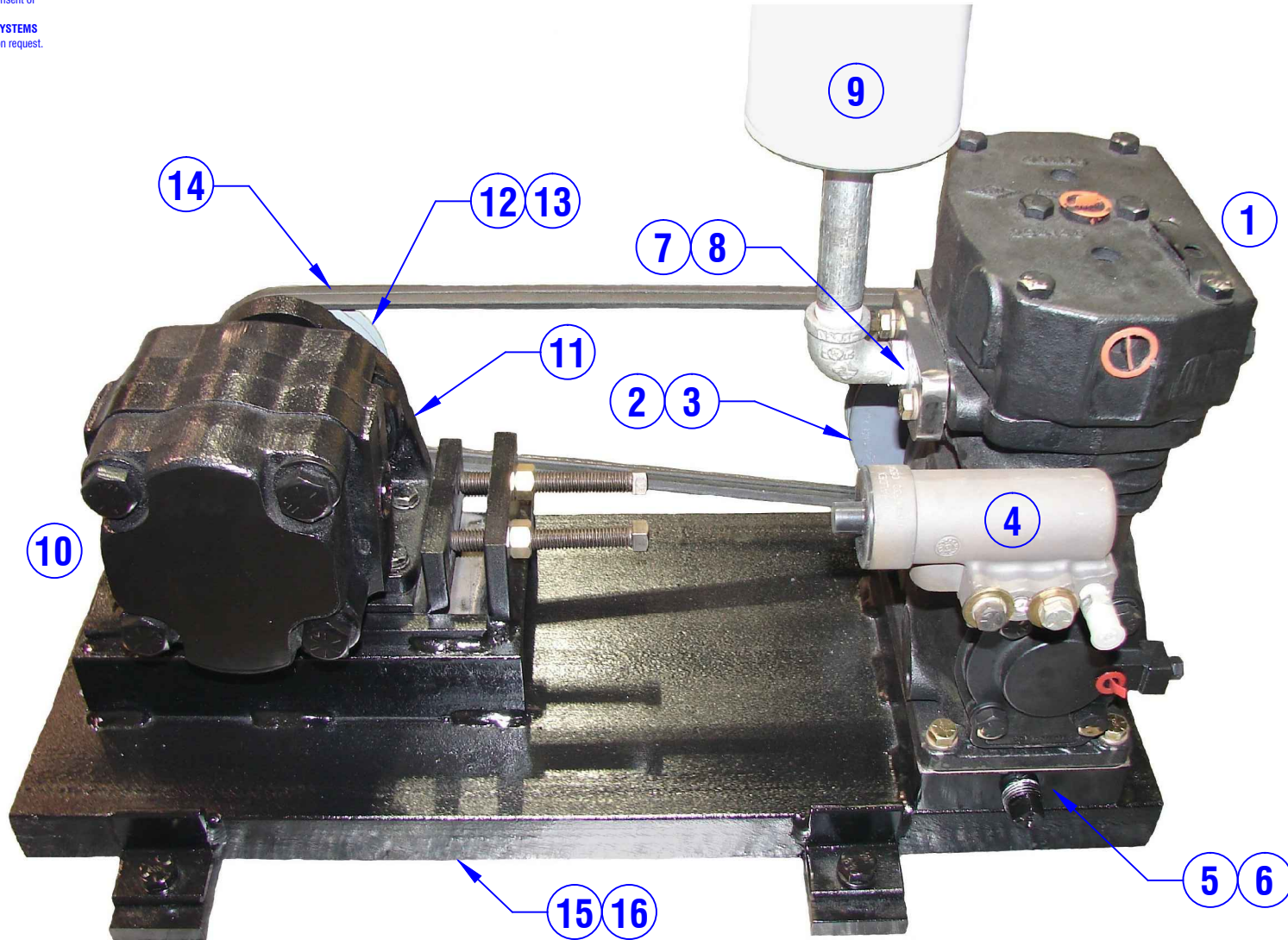


CONFIDENTIAL & PROPRIETARY

All data contained in this document is sole property of **DRY SYSTEMS TECHNOLOGIES** and is considered confidential and proprietary.

This document may not be reproduced, released to third parties, or used for purposes other than for which it was furnished, without express written consent of **DRY SYSTEMS TECHNOLOGIES**.

This document remains property of **DRY SYSTEMS TECHNOLOGIES** and must be returned upon request.



SECTION 5-03

TOLERANCES

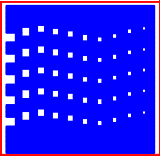
Linear unless noted
Machined: ±0.005
Fabricated: ±0.02
Angular: ±1/2°
Surface finish 125

REV	DATE	NAME	DESCRIPTION

DRY SYSTEMS TECHNOLOGIES

10420 RISING COURT
WOODRIDGE, IL 60517
Phone: 630-427-2051 Fax: 630-427-1036
E-Mail: eng@drysystemstech.com

DESCRIPTION		NO RECD
AIR COMPRESSOR, HYD DRIVE		1
SCALE	DATE	DRAWN BY
Full	JAN 03 2019	W Fox
MATERIAL		APPROVED BY
DRAWING NO		
M387-523-01		



M387-523-01 AIR COMPRESSOR, HYD DRIVE

ITEM	PART NUMBER	QUAN.	DESCRIPTION	NOTES
1	M150-597-01	1	AIR COMPRESSOR	
2	M150-599-02	1	BUSHING 1" BORE TAPER, 1/4" KEY	
3	M150-599-01	1	PULLEY, ULTRA V SHV, 6"	
4	M350-576-01	1	GOVERNOR, COMPRESSOR	
5	M150-598-04	1	COMPRESSOR MOUNT PLATE	
6	M150-597-07	1	GASKET, COMPRESSOR BASE	
7	M150-598-05	1	BREATHER ADAPTER PLATE	
8	M150-597-06	1	GASKET, BREATHER ADAPTER PLATE	
9	M150-560-01	1	FILTER, AIR COMPRESSOR	
10	M150-548-01	1	MOTOR, HYD	
11	M150-596-01	1	FOOT BRACKET, SAE A, 2 BOLT , MOTOR MOUNT	
12	M150-550-01	1	BUSHING 1" BORE, 1/4" KEYWAY	
13	M150-551-01	1	PULLEY, ULTRA V SHV, 4.12"	
14	M387-523-02	2	V-BELT	
15	M387-523-03	1	MOUNT, HYD MOTOR , COMPRESSOR	
16	M387-523-04	1	COVER, V-BELTS	NOT SHOWN