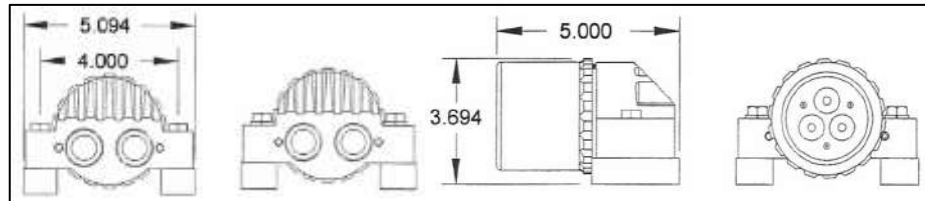
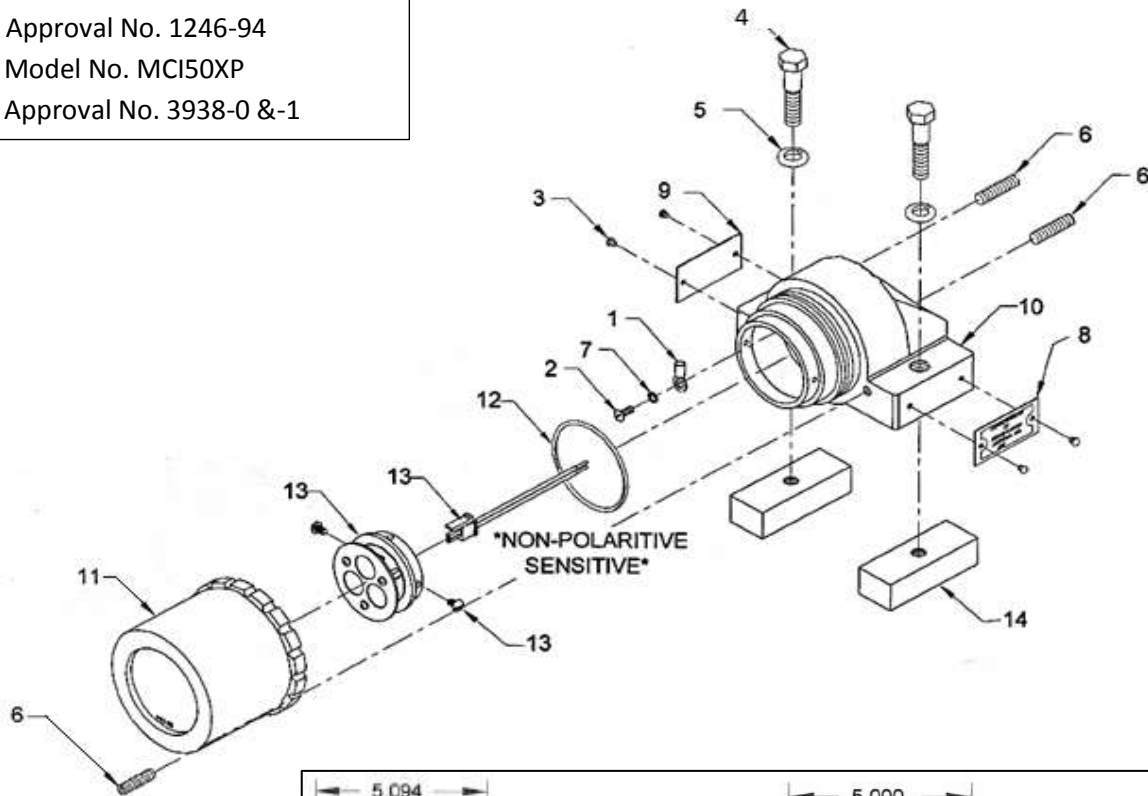


**Dry Systems  
Technologies**

## M261-534-01 Head Light

PA Approval No. 1246-94  
XP Model No. MCI50XP  
XP Approval No. 3938-0 &-1



Item	Part Number	Qty	Description
1	M261-534-02	1	#10 Ring Terminal
2	M261-534-03	1	#8-32 x 1/4" Round Head Screw
3	M261-501-10	4	#4 x 3/16" Drive Screw
4	M600-186-01	2	3/8" - 16 x 1-3/4" Hex Head Bolt
5	M600-123-01	2	3/8" Lock Washer
6	M261-502-08	3	1/4"-20 x 1" SS Set Screw
7	M261-534-04	1	#8 Lock Washer
8	M261-502-12	1	PA Tag
9	M261-502-13	1	Certification Tag
10	M261-502-09	1	Aluminum Housing
11	M261-502-07	1	Short Aluminum Lens Assembly
12	M261-502-14	1	2-3/4" Silicone O-Ring
13	M261-530-01	1	12 Watt High Output LED Lamp Assembly
14	M261-502-11	2	Mounting Pad