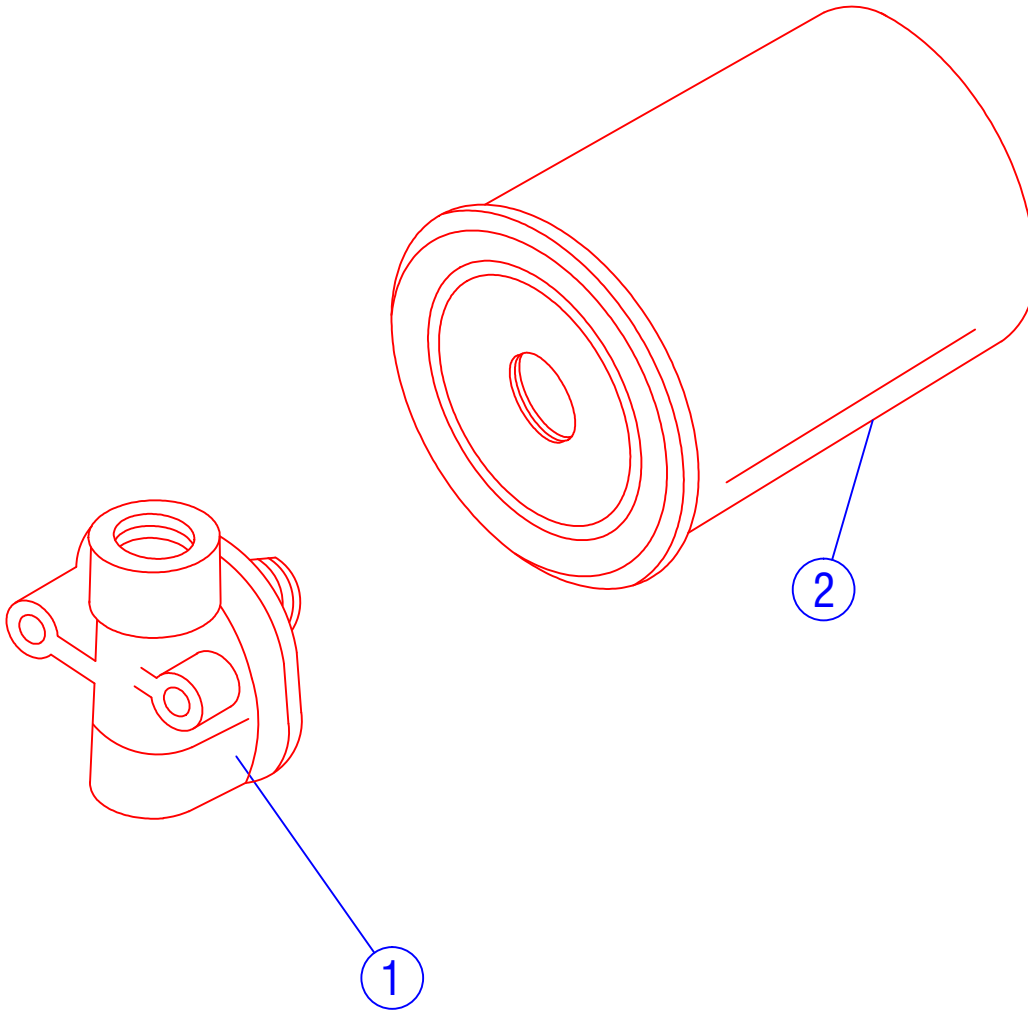


**CONFIDENTIAL & PROPRIETARY**

All data contained in this document is sole property of **DRY SYSTEMS TECHNOLOGIES** and is considered confidential and proprietary.

This document may not be reproduced, released to third parties, or used for purposes other than for which it was furnished, without express written consent of **DRY SYSTEMS TECHNOLOGIES**.

This document remains property of **DRY SYSTEMS TECHNOLOGIES** and must be returned upon request.



ITEM	PART NO.	QTY.	DESCRIPTION
1	M379-513-01	1	FILTER HEAD, HYDRAULIC RETURN
2	M379-513-02	1	ELEMENT, HYDRAULIC RETURN

**SECTION 5-06**

TOLERANCES	
Linear unless noted	
Machined: $\pm 0.005$	
Fabricated: $\pm 0.02$	
Angular: $\pm 1/2^\circ$	
Surface finish 125	
REV	DATE NAME DESCRIPTION

**DRY SYSTEMS TECHNOLOGIES**

10420 RISING COURT  
WOODRIDGE, IL 60517  
Phone: 630-427-2051 Fax: 630-427-1036  
E-Mail: [eng@drysystemstech.com](mailto:eng@drysystemstech.com)

DESCRIPTION			NO RECD
FILTER , HYDRAULIC			1
SCALE	DATE	DRAWN BY	
None	June 29 2015	Ward Fox	
MATERIAL		APPROVED BY	
DRAWING NO		HYDRAULIC FILTER	

