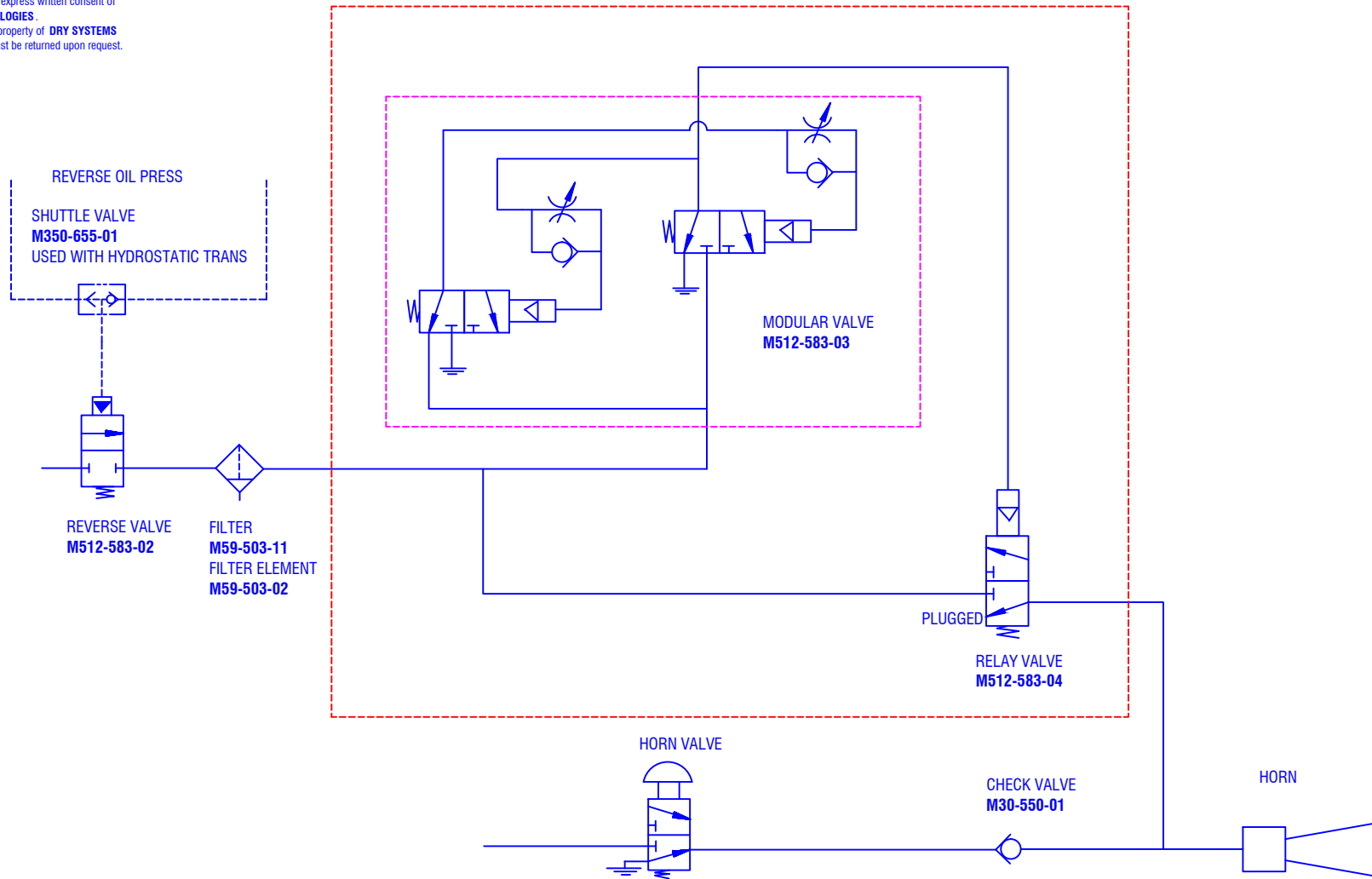


CONFIDENTIAL & PROPRIETARY

All data contained in this document is sole property of **DRY SYSTEMS TECHNOLOGIES** and is considered confidential and proprietary. This document may not be reproduced, released to third parties, or used for purposes other than for which it was furnished, without express written consent of **DRY SYSTEMS TECHNOLOGIES**. This document remains property of **DRY SYSTEMS TECHNOLOGIES** and must be returned upon request.



**BACK UP ALARM KIT
M512-583-01**

TOLERANCES Linear unless noted Machined: ±0.005 Fabricated: ±0.02 Angular: ±1/2° Surface finish 125	REV	DATE	NAME	DESCRIPTION	DRY SYSTEMS TECHNOLOGIES 10420 RISING COURT WOODRIDGE, IL 60517 Phone: 630-427-2051 Fax: 630-427-1036 E-Mail: eng@dryssystemstech.com	DESCRIPTION	NO. RECD		
	BACK UP ALARM SYSTEM					SCALE	DATE		DRAWN BY
	FULL					9 Aug 2017	R GIBBS		APPROVED BY
	MATERIAL					DRAWING NO. M250-020-01			
	SURFACE FINISH					NO. RECD			