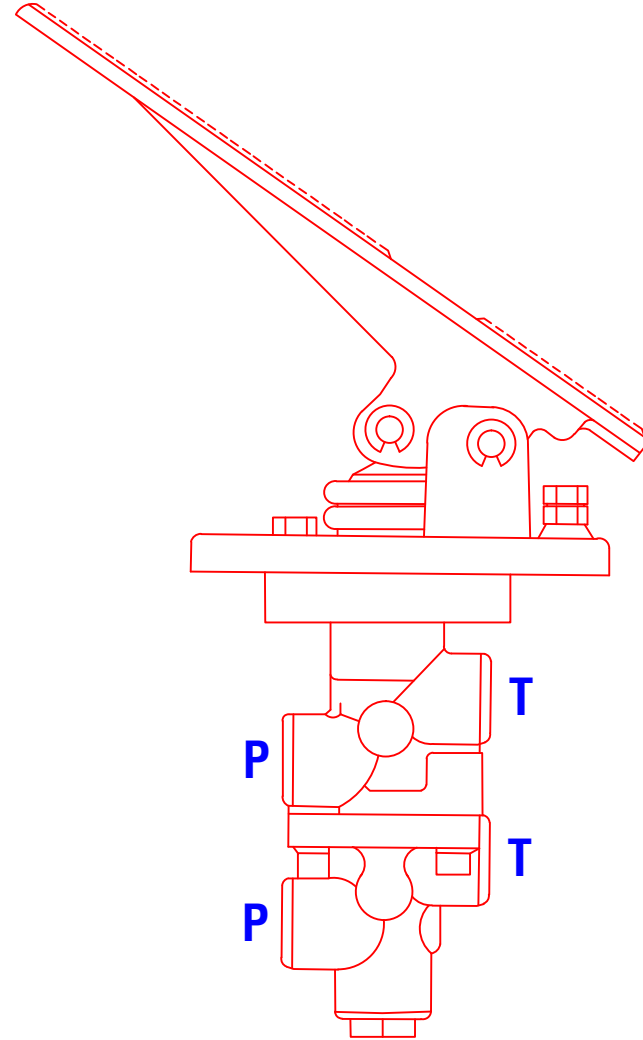
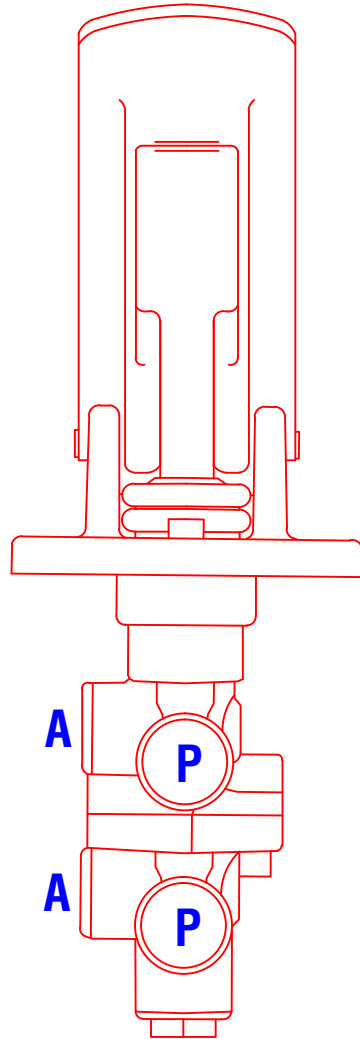


**CONFIDENTIAL & PROPRIETARY**

All data contained in this document is sole property of **DRY SYSTEMS TECHNOLOGIES** and is considered confidential and proprietary.

This document may not be reproduced, released to third parties, or used for purposes other than for which it was furnished, without express written consent of **DRY SYSTEMS TECHNOLOGIES**.

This document remains property of **DRY SYSTEMS TECHNOLOGIES** and must be returned upon request.



**SECTION 5-07**

<b>TOLERANCES</b> Linear unless noted Machined: ±0.005 Fabricated: ±0.02 Angular: ±1/2° Surface finish 125					<b>DRY SYSTEMS TECHNOLOGIES</b> 10420 RISING COURT WOODRIDGE, IL 60517 Phone: 630-427-2051 Fax: 630-427-1036 E-Mail: eng@dryssystemstech.com	DESCRIPTION BRAKE FOOT VALVE	NO RECD 1	
	SCALE	DATE	DRAWN BY					
	Full	April 16 2018	W Fox					
	MATERIAL		APPROVED BY					
DRAWING NO						<b>M192-532-03</b>		