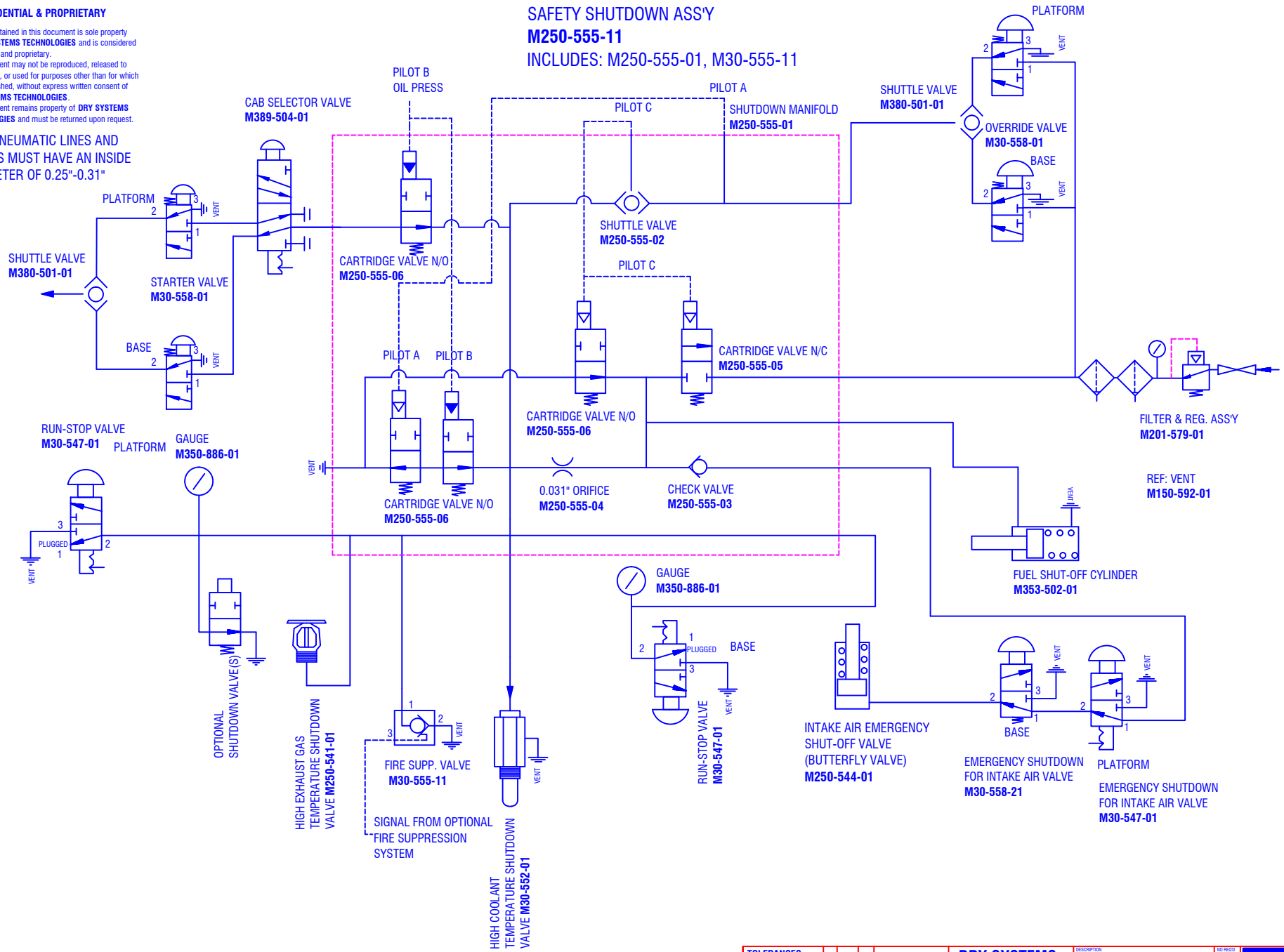


CONFIDENTIAL & PROPRIETARY

All data contained in this document is sole property of **DRY SYSTEMS TECHNOLOGIES** and is considered confidential and proprietary. This document may not be reproduced, released to third parties, or used for purposes other than for which it was furnished, without express written consent of **DRY SYSTEMS TECHNOLOGIES**. This document remains property of **DRY SYSTEMS TECHNOLOGIES** and must be returned upon request.

ALL PNEUMATIC LINES AND HOSES MUST HAVE AN INSIDE DIAMETER OF 0.25"-0.31"

SAFETY SHUTDOWN ASS'Y
M250-555-11
 INCLUDES: M250-555-01, M30-555-11



SECTION 5-12

TOLERANCES	REF	DATE	DESCRIPTION
Linear unless noted			
Machined: ±0.005			
Fabricated: ±0.02			
Angular: ±1/2°			
Surface finish 125			

DRY SYSTEMS TECHNOLOGIES
 10420 RISING COURT
 WOODRIDGE, IL 60517
 Phone: 630-427-2051 Fax: 630-427-1036
 E-Mail: eng@drysystemstech.com

DESCRIPTION		SHUTDOWN SYSTEM		NO REVISIONS
SCALE	DATE	DRAWN BY	APPROVED BY	
	Dec 6, 2018	R GIBBS		
MATERIAL		APPROVED BY		
See Detail Drawings				
M389-002-01				

