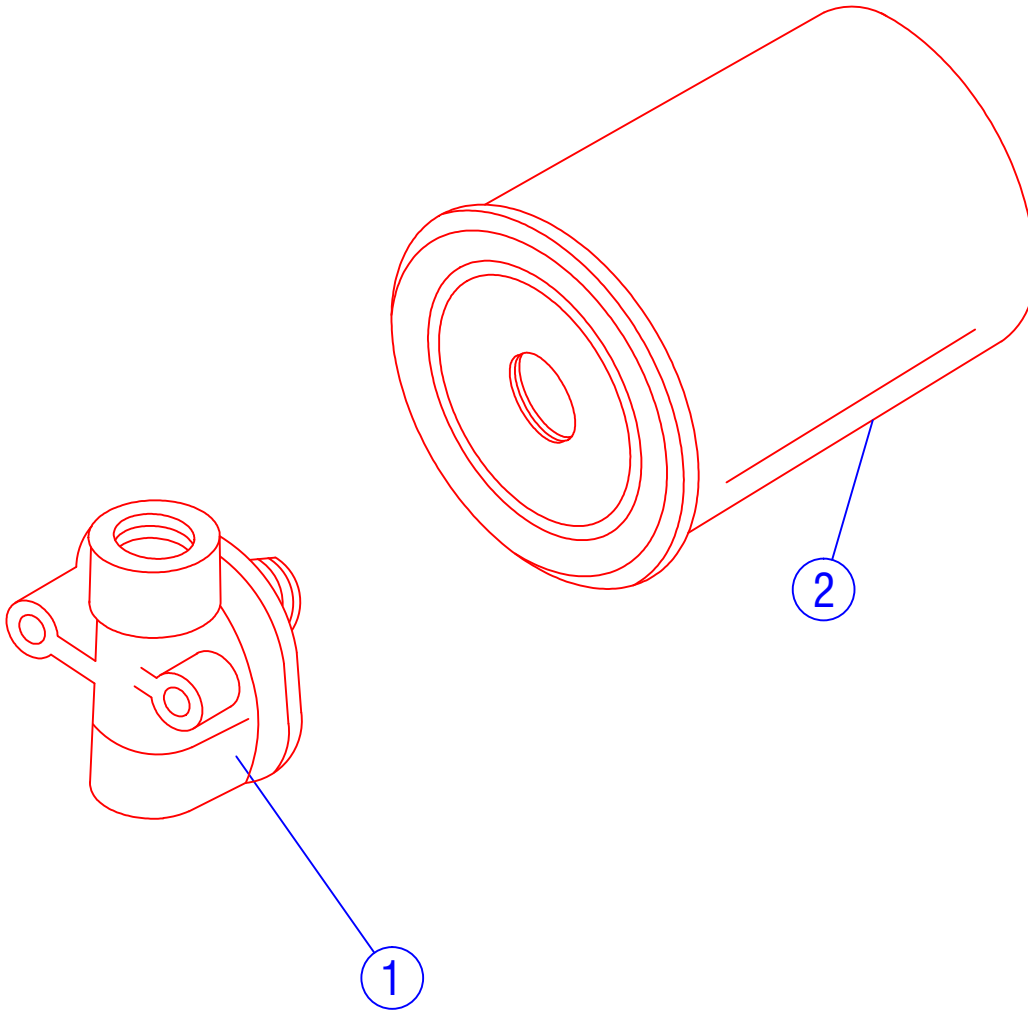


CONFIDENTIAL & PROPRIETARY

All data contained in this document is sole property of **DRY SYSTEMS TECHNOLOGIES** and is considered confidential and proprietary.

This document may not be reproduced, released to third parties, or used for purposes other than for which it was furnished, without express written consent of **DRY SYSTEMS TECHNOLOGIES**.

This document remains property of **DRY SYSTEMS TECHNOLOGIES** and must be returned upon request.



ITEM	PART NO.	QTY.	DESCRIPTION
1	M379-513-01	1	FILTER HEAD, HYDRAULIC RETURN
2	M379-513-02	1	ELEMENT, HYDRAULIC RETURN

SECTION 5-14

TOLERANCES	
Linear unless noted	
Machined: ±0.005	
Fabricated: ±0.02	
Angular: ±1/2°	
Surface finish 125	

DRY SYSTEMS TECHNOLOGIES

10420 RISING COURT
WOODRIDGE, IL 60517
Phone: 630-427-2051 Fax: 630-427-1036
E-Mail: eng@drysystemstech.com

DESCRIPTION			NO RECD
FILTER , HYDRAULIC			1
SCALE	DATE	DRAWN BY	
None	April 16 2018	Ward Fox	
MATERIAL		APPROVED BY	
DRAWING NO		HYDRAULIC FILTER	

