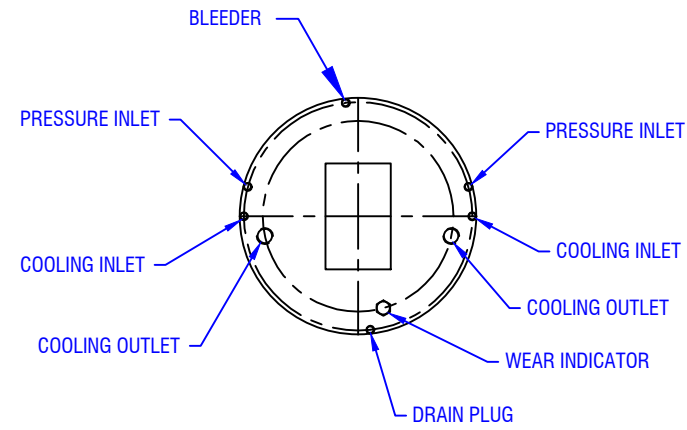


CONFIDENTIAL & PROPRIETARY

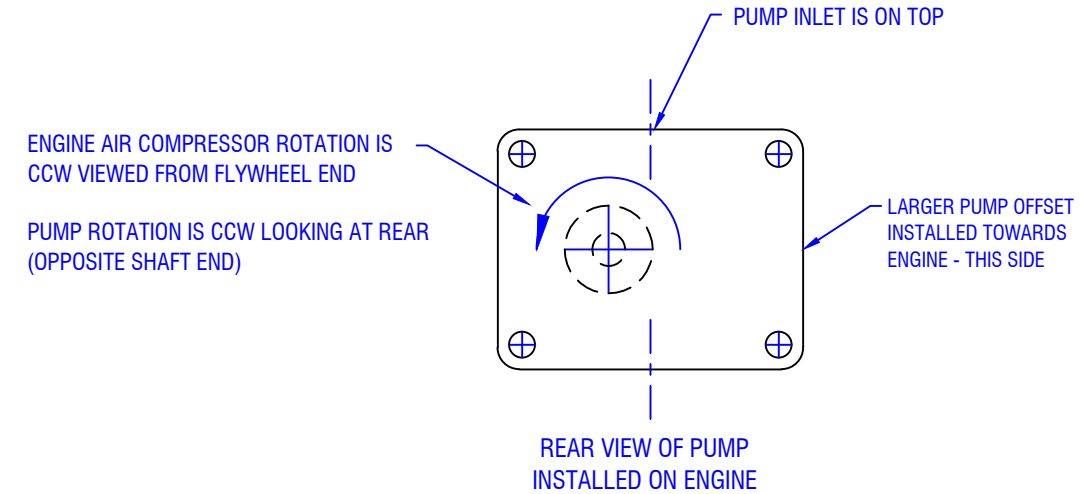
All data contained in this document is sole property of DRY SYSTEMS TECHNOLOGIES and is considered confidential and proprietary. This document may not be reproduced, released to third parties, or used for purposes other than for which it was furnished, without express written consent of DRY SYSTEMS TECHNOLOGIES. This document remains property of DRY SYSTEMS TECHNOLOGIES and must be returned upon request.

BILL OF MATERIAL

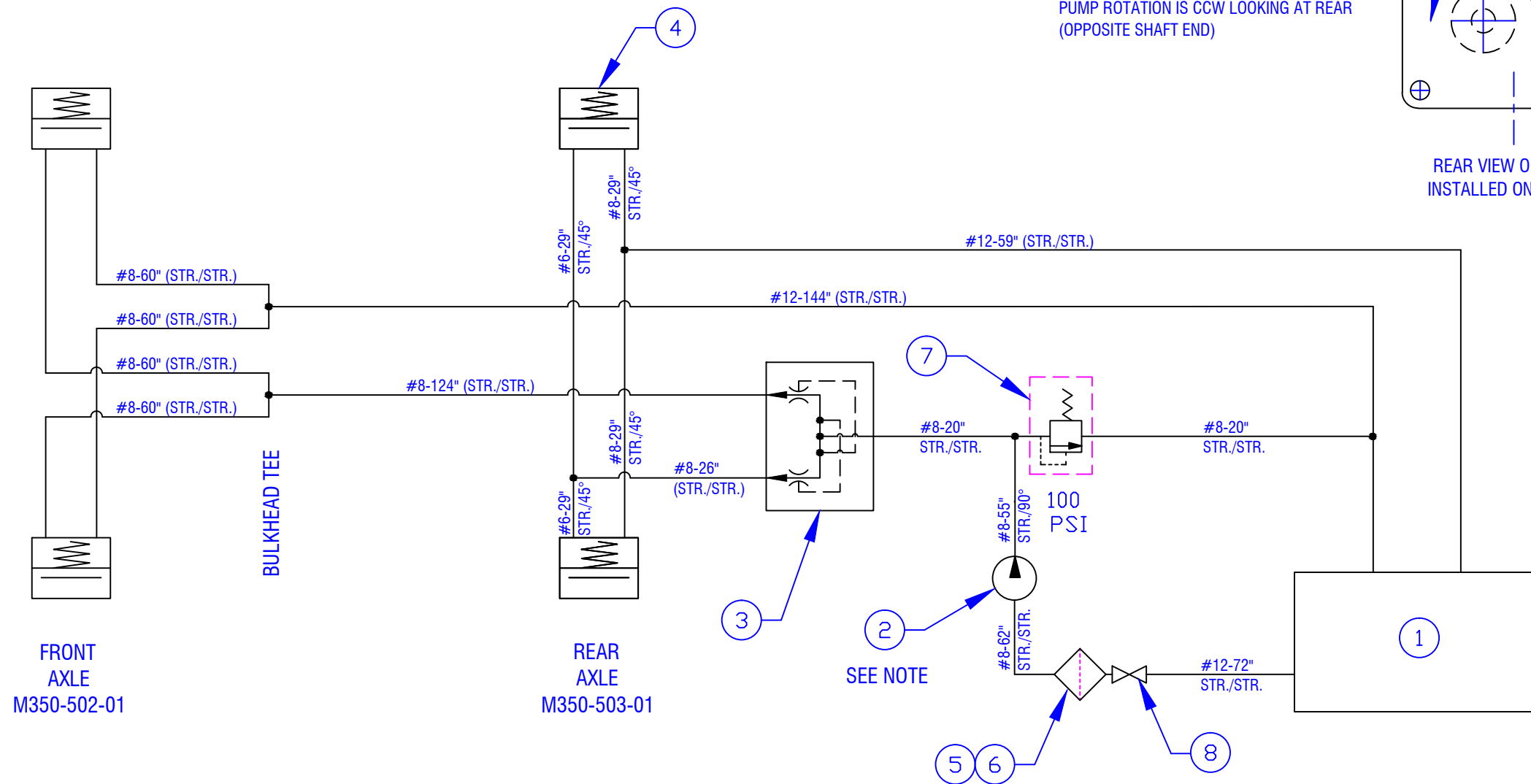
ITEM #	DESCRIPTION	PART NUMBER
1	HYDRAULIC TANK	M350-227-01
2	PUMP	M350-567-01
3	FLOW DIVIDER	M350-568-01
4	AXLE BRAKES	
5	FILTER HEAD	M350-872-01
6	FILTER ELEMENT	M350-872-02
7	RELIEF VALVE	M350-643-05
8	3/4" BALL VALVE	M350-575-03



INSIDE VIEW OF WHEEL END - TYP



REAR VIEW OF PUMP INSTALLED ON ENGINE



FRONT AXLE
M350-502-01

REAR AXLE
M350-503-01

BULKHEAD TEE

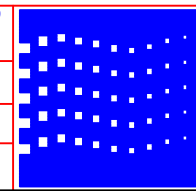
TOLERANCES

Linear unless noted	
Machined: ±0.005	
Fabricated: ±0.02	
Angular: ±1/2°	
Surface finish 125	

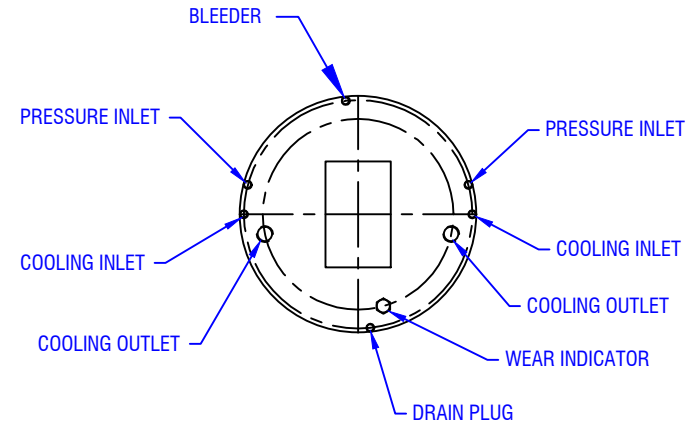
REV	DATE	NAME	DESCRIPTION
B	9/23/19	JLW	Corrected hose lengths
A	6/24/15	WFK	Corrected to show as-built

DRY SYSTEMS TECHNOLOGIES
8102 LEMONT ROAD, SUITE 700
WOODRIDGE, IL 60517
Phone: 630-427-2051 Fax: 630-427-1036
E-Mail: eng@drysystechnology.com

DESCRIPTION Hyd Dia Brake Cooling		NO RECD
SCALE None	DATE MARCH 2013	DRAWN BY DHR
MATERIAL		APPROVED BY
DRAWING NO M350-009-03		

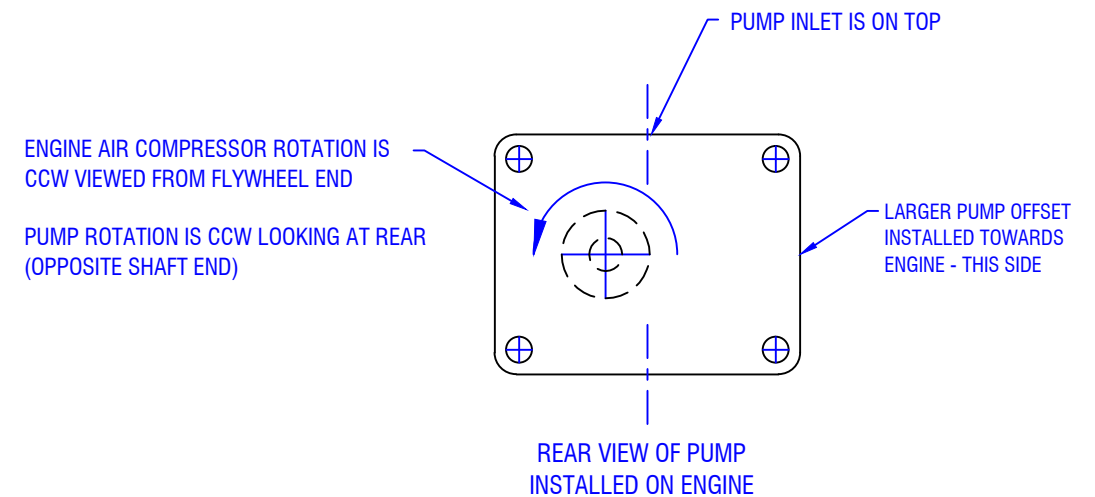


CONFIDENTIAL & PROPRIETARY
 All data contained in this document is sole property of DRY SYSTEMS TECHNOLOGIES and is considered confidential and proprietary. This document may not be reproduced, released to third parties, or used for purposes other than for which it was furnished, without express written consent of DRY SYSTEMS TECHNOLOGIES. This document remains property of DRY SYSTEMS TECHNOLOGIES and must be returned upon request.

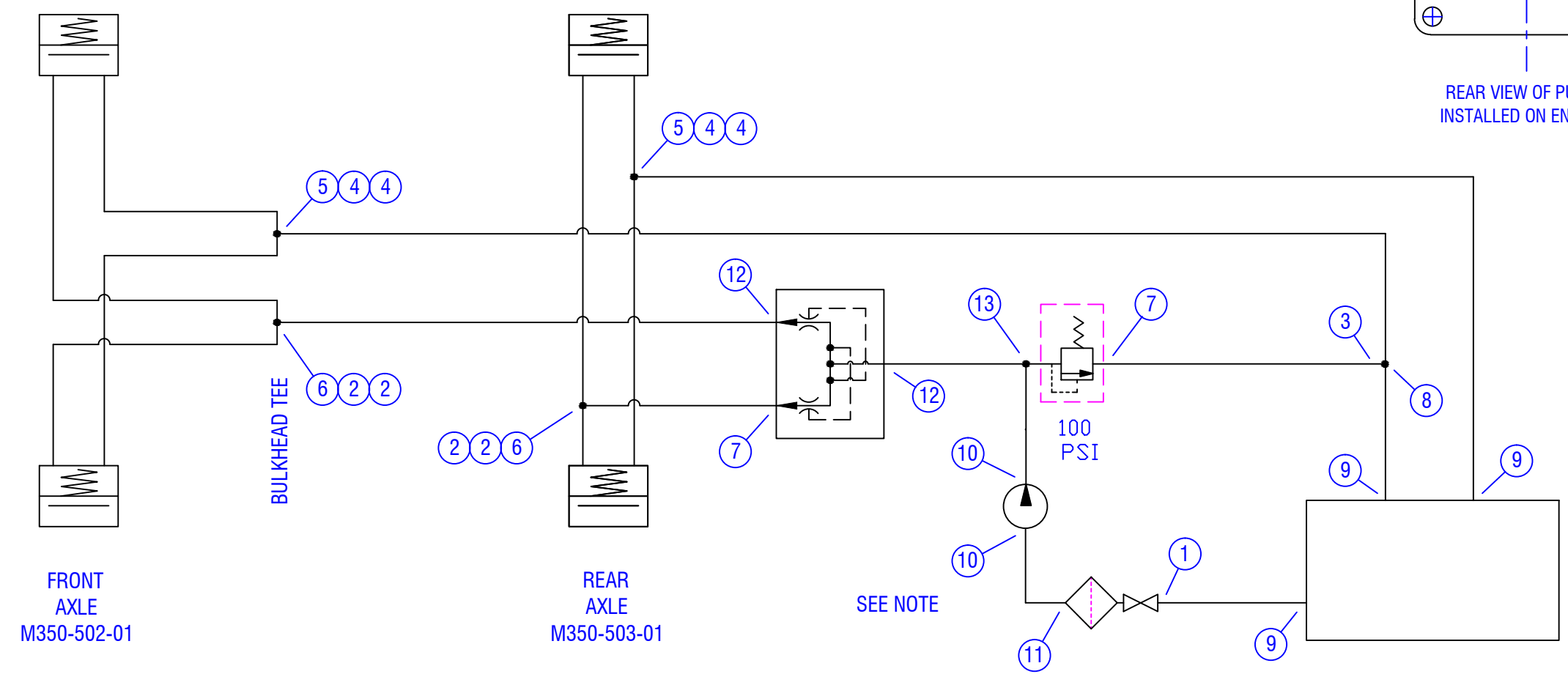


INSIDE VIEW OF WHEEL END - TYP

	FITTING NUMBER	FITTING DESCRIPTION
1	2404-12-12	MJ - MP STR.
2	2406-08-06	FJS - MJ REDUCER
3	2406-08-12	FJS - MJ REDUCER
4	2406-12-08	FJS - MJ REDUCER
5	2703-12-12-12	MJ - MJ - MJ BULKHEAD TEE
6	2703-08-08-08	MJ - MJ - MJ BULKHEAD TEE
7	6400-08-08	MJ - MAORB STR.
8	6602-12-12-12	MJ - FJS - MJ TEE
9	6801-12-12	MJ - MAORB 90°
10	6801-08-10	MJ - MAORB 90°
11	6801-08-16	MJ - MAORB 90°
12	6801-08-08	MJ - MAORB 90°
13	6804-08-08-08	MJ - MAORB - MJ TEE



REAR VIEW OF PUMP INSTALLED ON ENGINE



TOLERANCES			
Linear unless noted			
Machined: ±0.005			
Fabricated: ±0.02			
Angular: ±1/2°			
Surface finish 125			
REV	DATE	NAME	DESCRIPTION
A	9/23/19	JLW	Corrected hose lengths
A	6/24/15	WFK	Corrected to show as-built

DRY SYSTEMS TECHNOLOGIES
 8102 LEMONT ROAD, SUITE 700
 WOODRIDGE, IL 60517
 Phone: 630-427-2051 Fax: 630-427-1036
 E-Mail: eng@drysystemstech.com

DESCRIPTION			NO RECD
Hyd Dia Brake Cooling			
SCALE	DATE	DRAWN BY	
None	9-23-19	JLW	
MATERIAL	APPROVED BY		
DRAWING NO	FITTING DWG		

