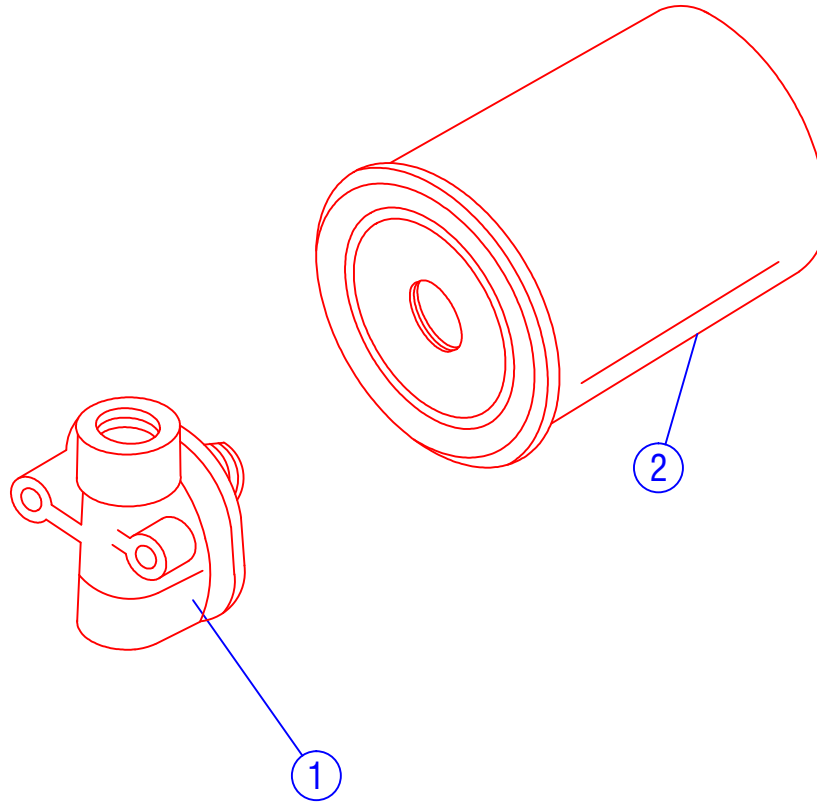


CONFIDENTIAL & PROPRIETARY

All data contained in this document is sole property of DRY SYSTEMS TECHNOLOGIES and is considered confidential and proprietary.
This document may not be reproduced, released to third parties, or used for purposes other than for which it was furnished, without express written consent of DRY SYSTEMS TECHNOLOGIES.
This document remains property of DRY SYSTEMS TECHNOLOGIES and must be returned upon request.



| ITEM | PART NO. | QTY. | DESCRIPTION |
|------|-------------|------|----------------------------|
| 1 | M350-872-01 | 1 | FILTER HEAD, BRAKE COOLING |
| 2 | M350-872-02 | 1 | ELEMENT, BRAKE COOLING |

SECTION 5-29

| TOLERANCES | | | | | |
|---------------------|--|--|--|--|--|
| Linear unless noted | | | | | |
| Machined: ±0.005 | | | | | |
| Fabricated: ±0.02 | | | | | |
| Angular: ±1/2° | | | | | |
| Surface finish 125 | | | | | |

DRY SYSTEMS TECHNOLOGIES
10420 RISING COURT
WOODRIDGE, IL 60517
Phone: 630-427-2051 Fax: 630-427-1036
E-Mail: eng@drysystemstech.com

| DESCRIPTION | REVISED |
|-------------------------------|--------------------|
| FILTER ASSEMBLY BRAKE COOLING | 1 |
| SCALE: None | DATE: June 29 2015 |
| DRAWN BY: Ward Fox | APPROVED BY: |
| MATERIAL: | |
| DRAWING NO: | M350-872-02 |

