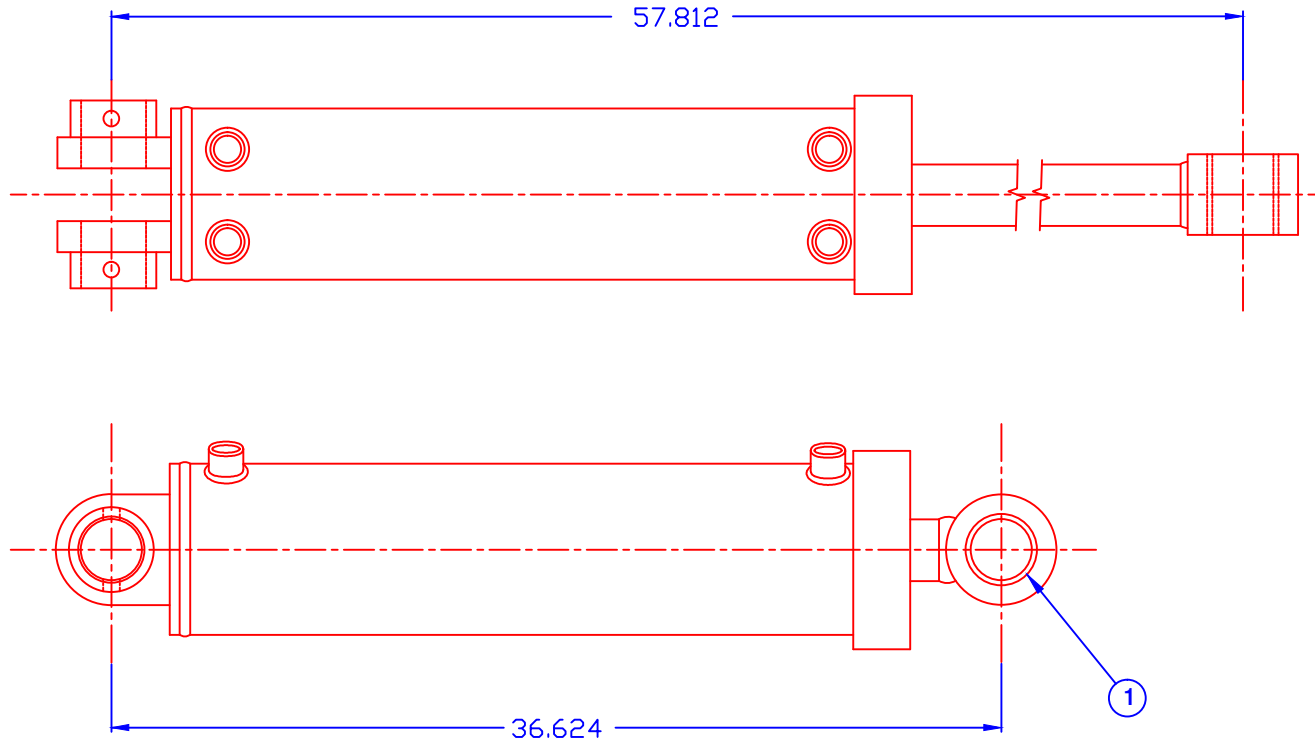


CONFIDENTIAL & PROPRIETARY

All data contained in this document is sole property of **DRY SYSTEMS TECHNOLOGIES** and is considered confidential and proprietary.

This document may not be reproduced, released to third parties, or used for purposes other than for which it was furnished, without express written consent of **DRY SYSTEMS TECHNOLOGIES**.

This document remains property of **DRY SYSTEMS TECHNOLOGIES** and must be returned upon request.



ITEM	PART NO.	QTY.	DESCRIPTION
	M350-505-10	1	CYLINDER, HOIST Includes item 1
1	M350-505-11	1	BUSHING, ROD EYE

SECTION 5-33

TOLERANCES Linear unless noted Machined: ±0.005 Fabricated: ±0.02 Angular: ±1/2° Surface finish 125					DRY SYSTEMS TECHNOLOGIES 10420 RISING COURT WOODRIDGE, IL 60517 Phone: 630-427-2051 Fax: 630-427-1036 E-Mail: ansi@dryssystemstech.com	DESCRIPTION	HOIST CYLINDER	NO RECD	2
	SCALE	DATE	DRAWN BY						
	Full	April 27 2015	W Fox						
	MATERIAL		APPROVED BY						
DRAWING NO		M350-505-10							