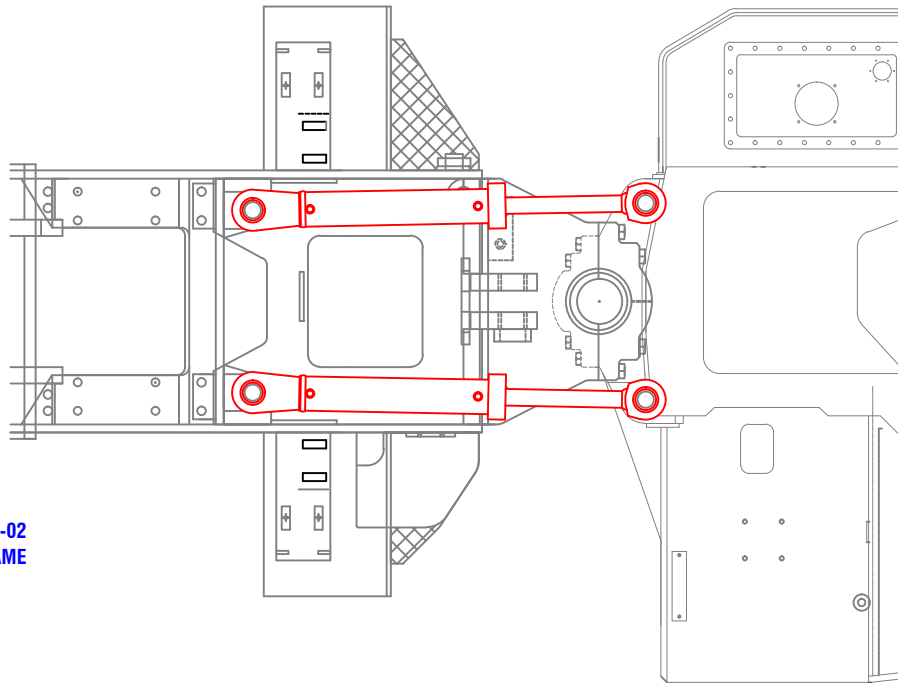


CONFIDENTIAL & PROPRIETARY

All data contained in this document is sole property of **DRY SYSTEMS TECHNOLOGIES** and is considered confidential and proprietary.

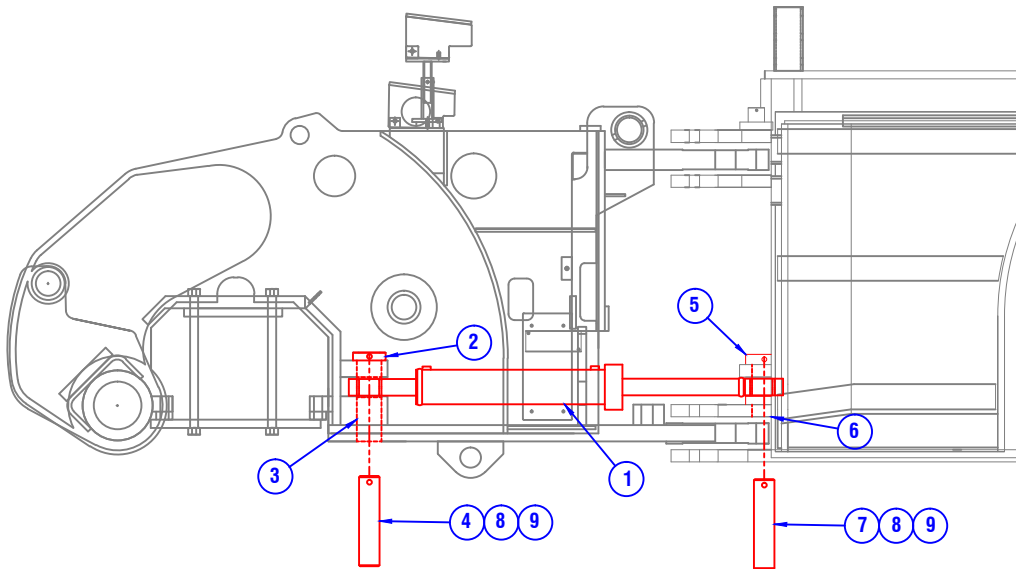
This document may not be reproduced, released to third parties, or used for purposes other than for which it was furnished, without express written consent of **DRY SYSTEMS TECHNOLOGIES**.

This document remains property of **DRY SYSTEMS TECHNOLOGIES** and must be returned upon request.



**M350-200-02
FRONT FRAME**

**M350-201-02
REAR FRAME**



ITEM	PART NUMBER	QUAN.	DESCRIPTION
1	M350-670-10	2	CYLINDER, STEERING
2	M350-670-06	2	BUSHING, STEER CYLINDER, FF UPPER
3	M350-670-07	2	BUSHING, STEER CYLINDER, FF LOWER
4	M350-670-02	2	PIN, STEER CYLINDER, FRONT FRAME
5	M350-670-05	2	BUSHING, STEER CYLINDER, RF UPPER
6	M350-670-04	2	BUSHING, STEER CYLINDER, RF LOWER
7	M350-670-03	2	PIN, STEER CYLINDER, REAR FRAME
8	M515-500-14	4	CAPSCREW, HEX HEAD 1/2-13 X 5 GR8
9	M515-560-07	4	NUT, 1/2, TOP LOCK

TOLERANCES
 Linear unless noted
 Machined: ±0.005
 Fabricated: ±0.02
 Angular: ±1/2°
 Surface finish 125

REV	DATE	NAME	DESCRIPTION

DRY SYSTEMS TECHNOLOGIES
 10420 RISING COURT
 WOODRIDGE, IL 60517
 Phone: 630-427-2051 Fax: 630-427-1036
 E-Mail: eng@dryssystemstech.com

DESCRIPTION		NO. REV.
STEER CYLINDER INSTALLATION		2
SCALE	DATE	DRAWN BY
Full	April 28 2015	W Fox
MATERIAL	APPROVED BY	
DRAWING NO.	SECTION 5-33	

