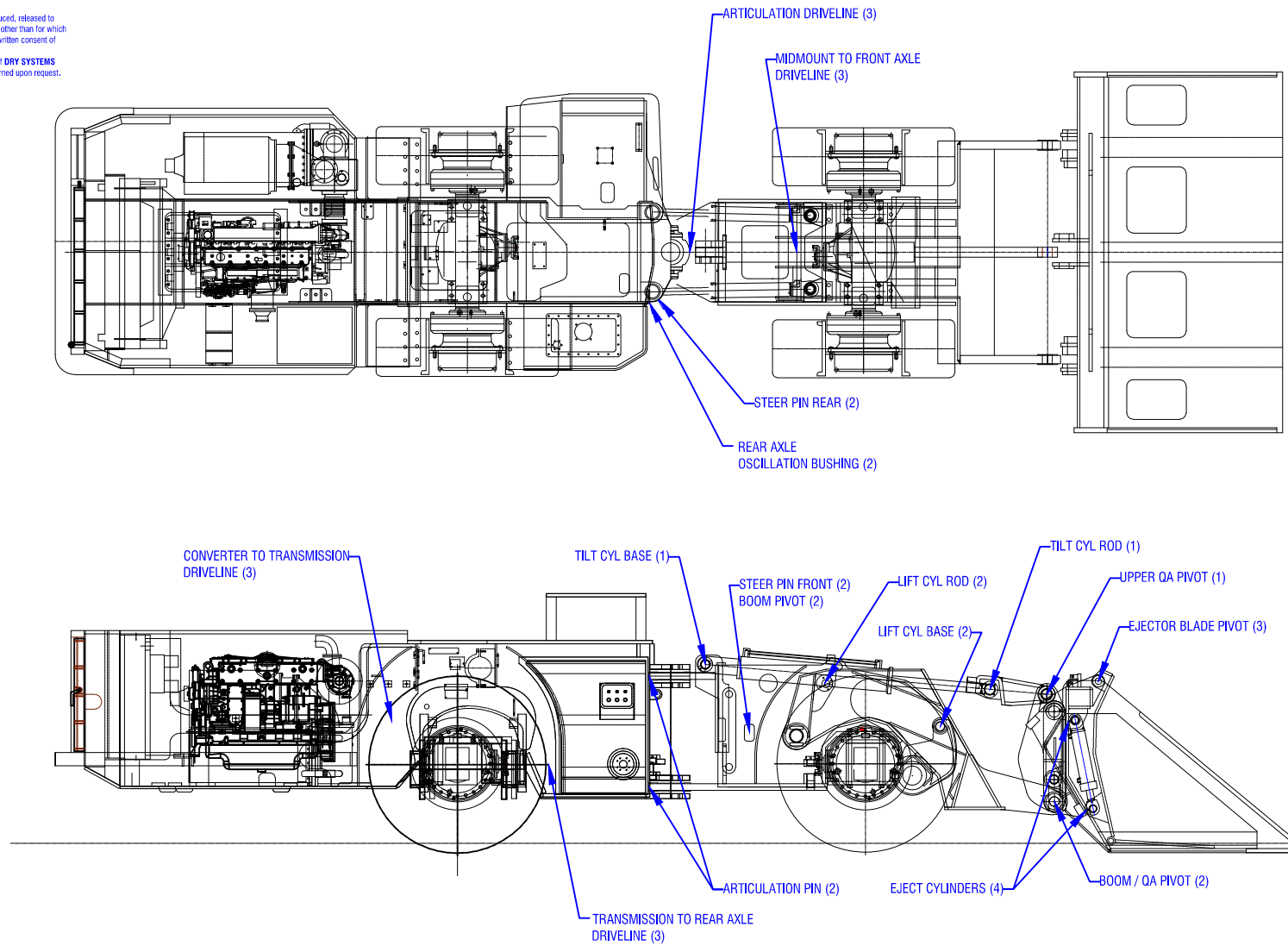


**CONFIDENTIAL & PROPRIETARY**

All data contained in this document is sole property of DRY SYSTEMS TECHNOLOGIES and is considered confidential and proprietary. This document may not be reproduced, released to third parties, or used for purposes other than for which it was furnished, without express written consent of DRY SYSTEMS TECHNOLOGIES. This document remains property of DRY SYSTEMS TECHNOLOGIES and must be returned upon request.



**SECTION 5-39**

**TOLERANCES**  
 Linear unless noted  
 Machined:  $\pm 0.005$   
 Fabricated:  $\pm 0.02$   
 Angular:  $\pm 1/2^\circ$   
 Surface finish 125

REV	DATE	NAME	DESCRIPTION

**DRY SYSTEMS TECHNOLOGIES**  
 8102 LEMONT ROAD, SUITE 700  
 WOODRIDGE, IL 60517  
 Phone: 630-427-2051 Fax: 630-427-1036  
 E-Mail: [eng@drysystemstech.com](mailto:eng@drysystemstech.com)

DESCRIPTION	DST 35S - GREASE POINTS		NO. REV'D
SCALE	DATE	DRAWN BY	
NONE	JUNE 2014	DHR	
MATERIAL	APPROVED BY		
DRAWING NO.	<b>M350-106-01</b>		

