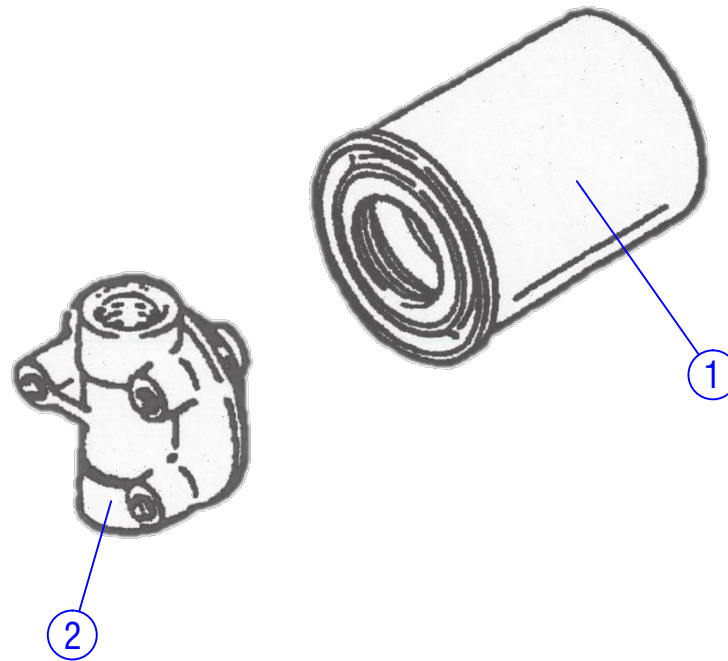


CONFIDENTIAL & PROPRIETARY

All data contained in this document is sole property of DRY SYSTEMS TECHNOLOGIES and is considered confidential and proprietary.
 This document may not be reproduced, released to third parties, or used for purposes other than for which it was furnished, without express written consent of DRY SYSTEMS TECHNOLOGIES.
 This document remains property of DRY SYSTEMS TECHNOLOGIES and must be returned upon request.



ITEM	PART NO.	QTY.	DESCRIPTION
	M350-592-01	1	FILTER, TRANSMISSION/CONVERTOR ASSEMBLY
1	M350-591-01	1	ELEMENT, TRANSMISSION/CONVERTOR FILTER
2	M350-591-02	1	FILTER HEAD, TRANSMISSION/CONVERTOR

TOLERANCES

Linear unless noted	
Machined: ±0.005	
Fabricated: ±0.02	
Angular: ±1/2°	
Surface finish 125	

DRY SYSTEMS TECHNOLOGIES
 10420 RISING COURT
 WOODRIDGE, IL 60517
 Phone: 630-427-2051 Fax: 630-427-1036
 E-Mail: eng@drysystemstech.com

DESCRIPTION	NO. RECD
FILTER, TRANSMISSION/CONVERTOR ASSEMBLY	1
SCALE	DATE
Full	APRIL 15 2015
DRAWN BY	APPROVED BY
Ward Fox	
DRAWING NO.	
M350-592-01	

SECTION 5-41

