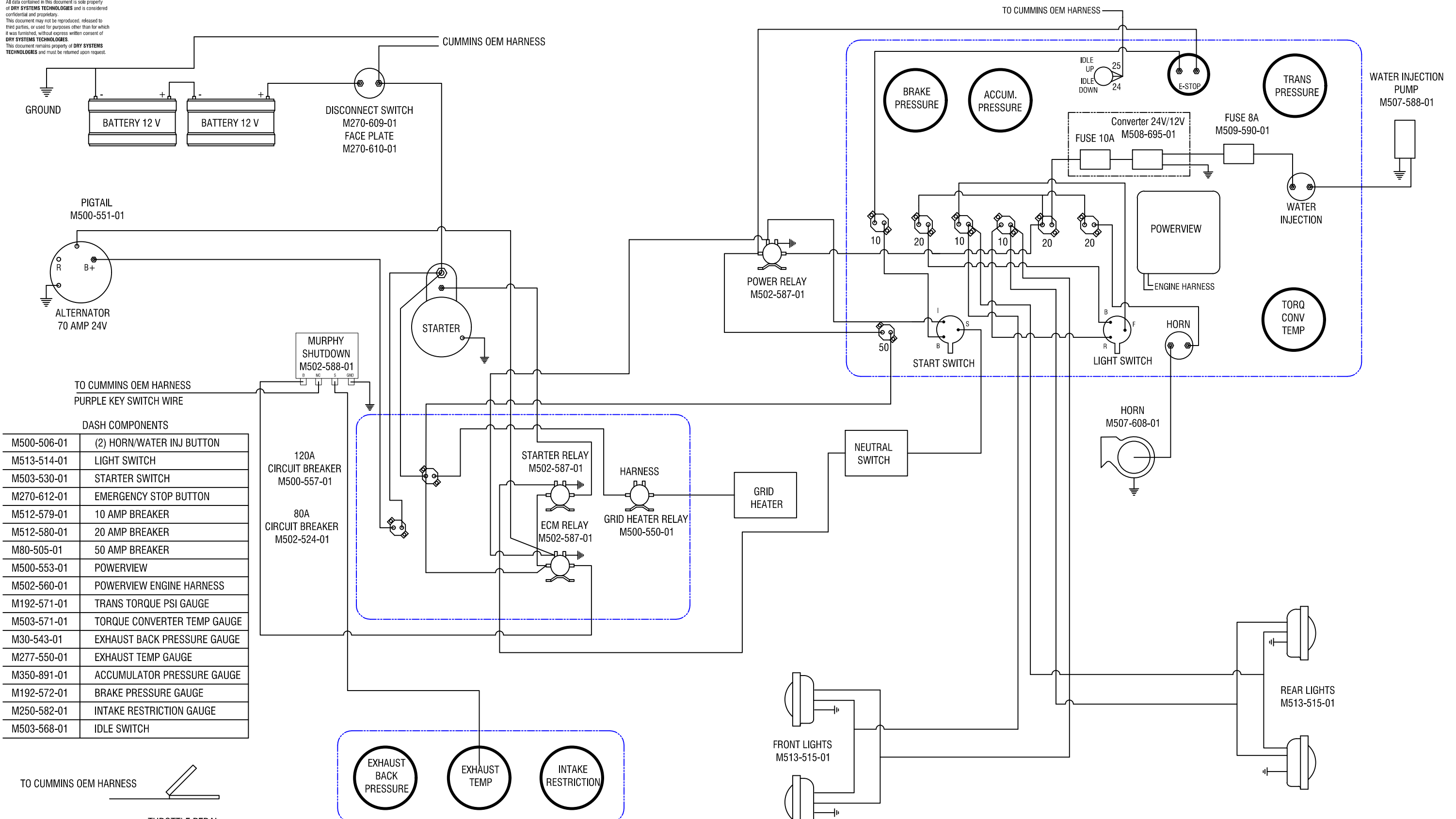


CONFIDENTIAL & PROPRIETARY
 All data contained in this document is sole property of DRY SYSTEMS TECHNOLOGIES and is considered confidential and proprietary.
 This document may not be reproduced, released to third parties, or used for purposes other than for which it was furnished, without express written consent of DRY SYSTEMS TECHNOLOGIES.
 This document remains property of DRY SYSTEMS TECHNOLOGIES and must be returned upon request.



DASH COMPONENTS

M500-506-01	(2) HORN/WATER INJ BUTTON
M513-514-01	LIGHT SWITCH
M503-530-01	STARTER SWITCH
M270-612-01	EMERGENCY STOP BUTTON
M512-579-01	10 AMP BREAKER
M512-580-01	20 AMP BREAKER
M80-505-01	50 AMP BREAKER
M500-553-01	POWERSVIEW
M502-560-01	POWERSVIEW ENGINE HARNESS
M192-571-01	TRANS TORQUE PSI GAUGE
M503-571-01	TORQUE CONVERTER TEMP GAUGE
M30-543-01	EXHAUST BACK PRESSURE GAUGE
M277-550-01	EXHAUST TEMP GAUGE
M350-891-01	ACCUMULATOR PRESSURE GAUGE
M192-572-01	BRAKE PRESSURE GAUGE
M250-582-01	INTAKE RESTRICTION GAUGE
M503-568-01	IDLE SWITCH

TO CUMMINS OEM HARNESS
 THROTTLE PEDAL
 M500-552-01

DST 35S
 CUMMINS 6.7, 24 VOLT

TOLERANCES Linear unless noted Machined: ±0.005 Fabricated: ±0.02 Angular: ±1/2° Surface finish 125				DRY SYSTEMS TECHNOLOGIES 10420 RISING COURT WOODRIDGE, IL 60517 Phone: 630-427-2051 Fax: 630-427-1036 E-Mail: emp@dryssystemstech.com	DESCRIPTION WIRING DIAGRAM 24 VOLT	NO REQS
	SCALE NTS	DATE Feb 21, 2019	DRAWN BY R Gibbs		APPROVED BY	
	MATERIAL	DRAWING NO M347-003-01				