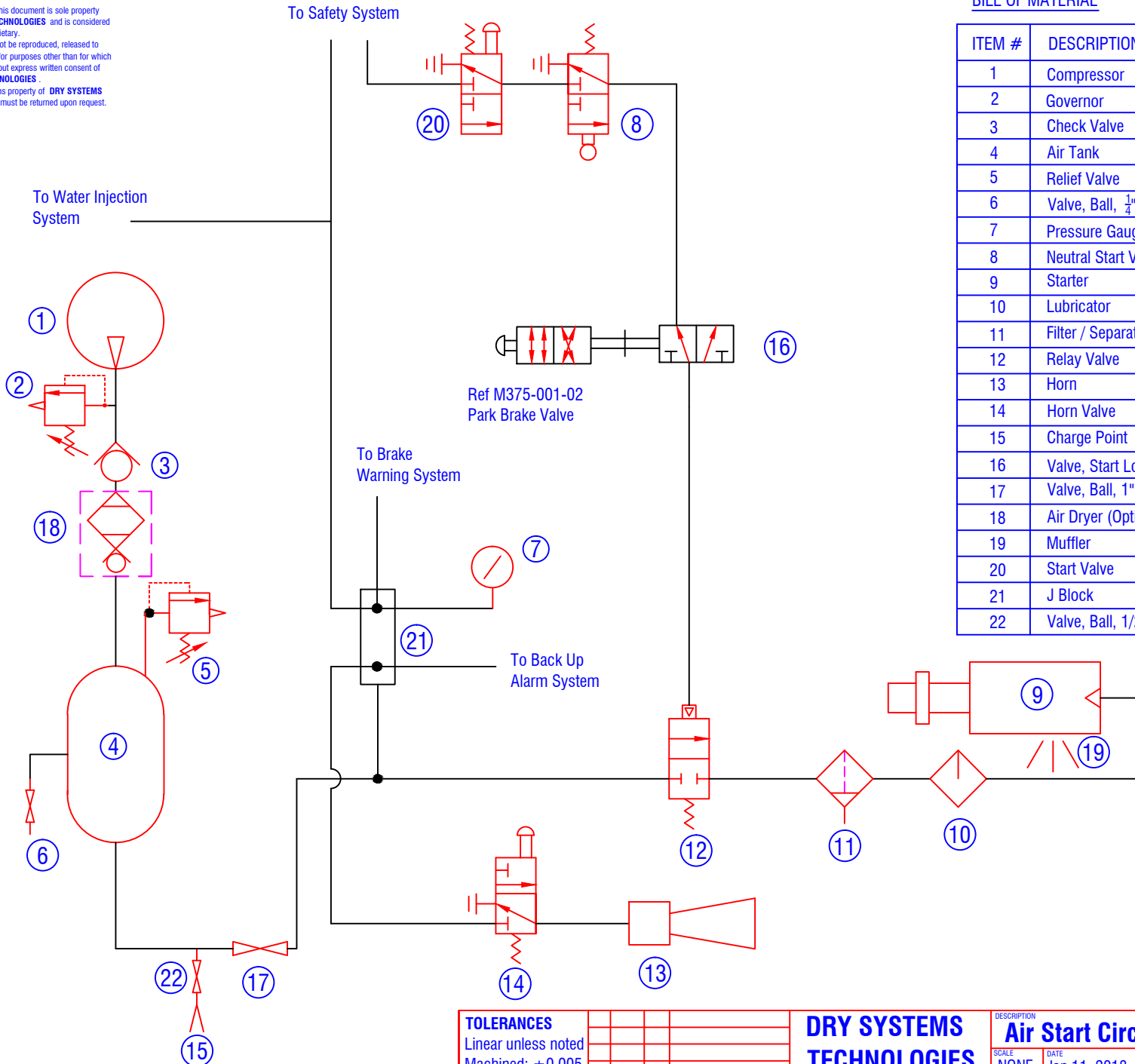


**CONFIDENTIAL & PROPRIETARY**

All data contained in this document is sole property of DRY SYSTEMS TECHNOLOGIES and is considered confidential and proprietary. This document may not be reproduced, released to third parties, or used for purposes other than for which it was furnished, without express written consent of DRY SYSTEMS TECHNOLOGIES. This document remains property of DRY SYSTEMS TECHNOLOGIES and must be returned upon request.

**BILL OF MATERIAL**

ITEM #	DESCRIPTION	
1	Compressor	M353-510-252
2	Governor	M353-510-257
3	Check Valve	M350-577-01
4	Air Tank	M375-507-01
5	Relief Valve	M350-517-01
6	Valve, Ball, 1/4"	M350-573-01
7	Pressure Gauge	M350-886-01
8	Neutral Start Valve	M350-572-01
9	Starter	M354-523-01
10	Lubricator	M150-516-01
11	Filter / Separator	M150-517-01
12	Relay Valve	M150-515-01
13	Horn	M350-571-01
14	Horn Valve	M350-589-01
15	Charge Point	M350-574-01
16	Valve, Start Lock	M30-547-01
17	Valve, Ball, 1", Locking	M350-575-02
18	Air Dryer (Optional)	
19	Muffler	M354-523-02
20	Start Valve	M30-558-01
21	J Block	M350-621-01
22	Valve, Ball, 1/2"	M350-579-01



**TOLERANCES**  
 Linear unless noted  
 Machined: ±0.005  
 Fabricated: ±0.02  
 Angular: ±1/2°  
 Surface finish 125

REV	DATE	NAME	DESCRIPTION

**DRY SYSTEMS TECHNOLOGIES**  
 10420 RISING COURT  
 WOODRIDGE, IL 60517  
 Phone: 630-427-2051 Fax: 630-427-1036  
 E-Mail: eng@drysystemstech.com

DESCRIPTION		NO RECD	
<b>Air Start Circuit</b>			
SCALE	DATE	DRAWN BY	APPROVED BY
NONE	Jan 11, 2018	R Gibbs	
MATERIAL			
DRAWING NO	<b>M375-004-02</b>		

