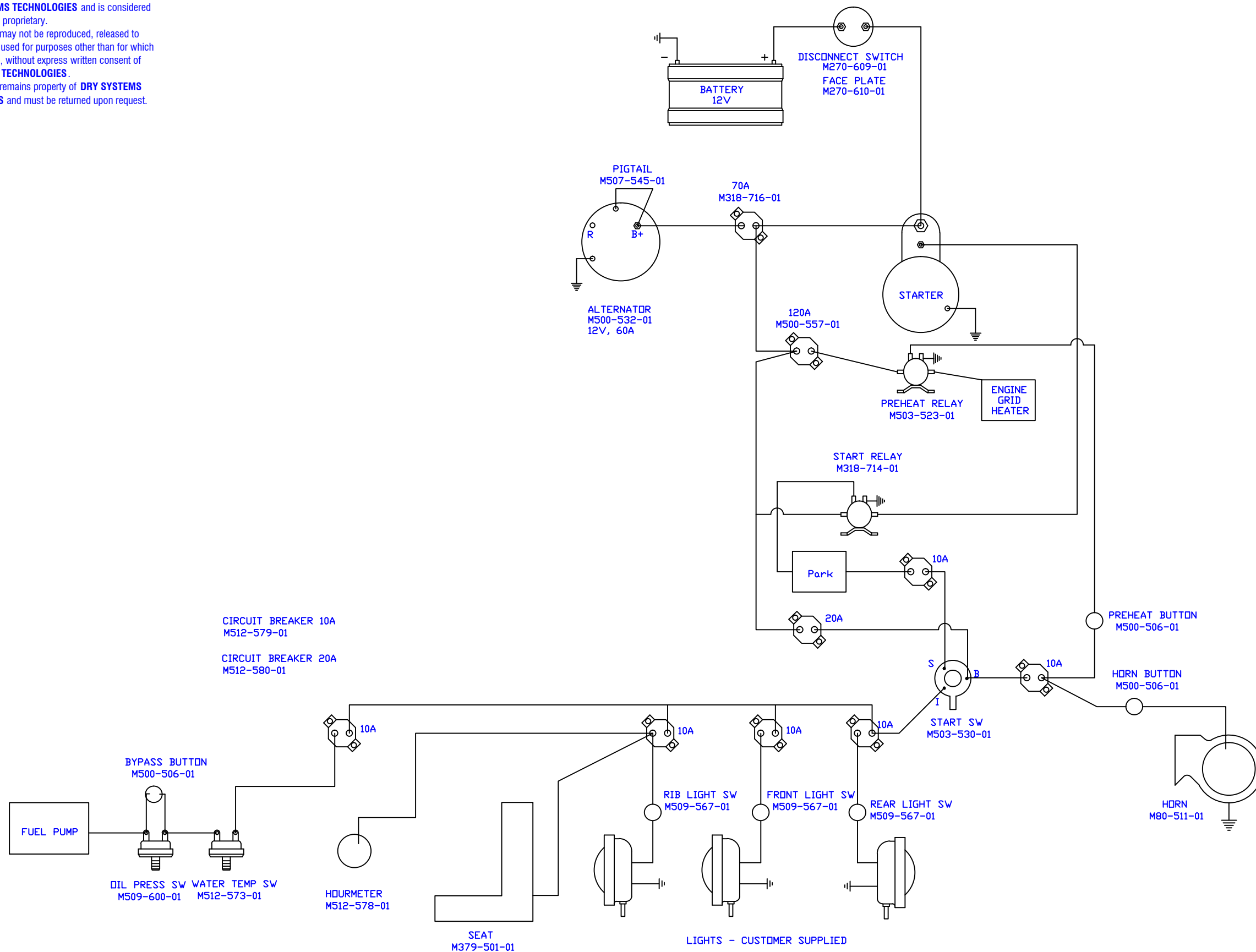


**CONFIDENTIAL & PROPRIETARY**

All data contained in this document is sole property of **DRY SYSTEMS TECHNOLOGIES** and is considered confidential and proprietary. This document may not be reproduced, released to third parties, or used for purposes other than for which it was furnished, without express written consent of **DRY SYSTEMS TECHNOLOGIES**. This document remains property of **DRY SYSTEMS TECHNOLOGIES** and must be returned upon request.



**TOLERANCES**

Linear unless noted  
 Machined: ±0.005  
 Fabricated: ±0.02  
 Angular: ±1/2°  
 Surface finish 125

REV	DATE	NAME	DESCRIPTION
01	1/4/18	WF	Corrected Alternator Pigtail part no.

**DRY SYSTEMS TECHNOLOGIES**  
 1430 US. HWY 45 NORTH  
 VIENNA, IL, 62995  
 Phone: 618 658-3000 FAX: 618-658-3002

DESCRIPTION	PIPE TRUCK ELECTRICAL SCHEMATIC		
SCALE	DATE	DESIGNED BY	APPROVED BY
NONE	June 2017	R Gibbs	
MATERIAL			
DRAWING NO	M379-001-01		

