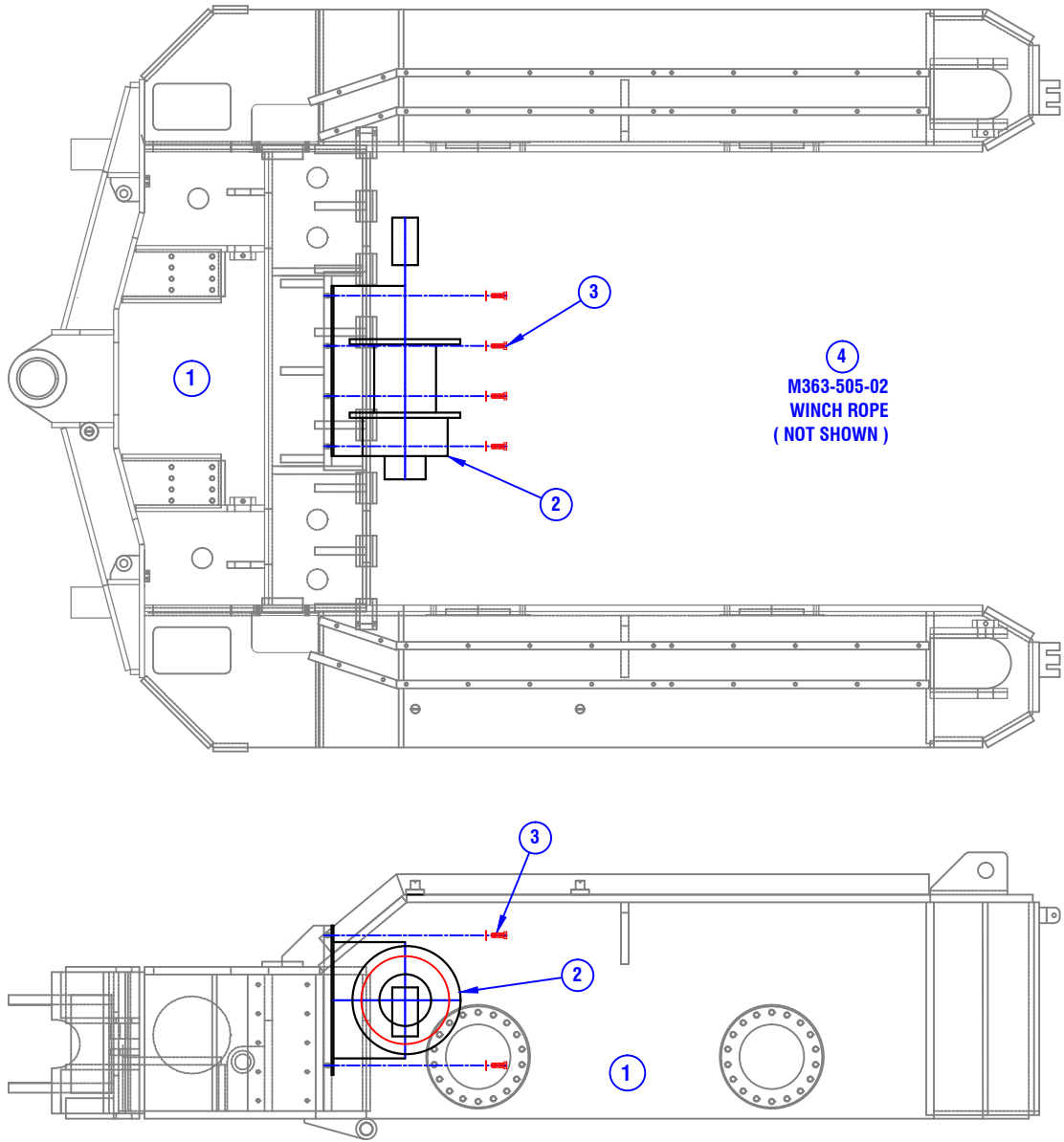


**CONFIDENTIAL & PROPRIETARY**

All data contained in this document is sole property of **DRY SYSTEMS TECHNOLOGIES** and is considered confidential and proprietary.

This document may not be reproduced, released to third parties, or used for purposes other than for which it was furnished, without express written consent of **DRY SYSTEMS TECHNOLOGIES**.

This document remains property of **DRY SYSTEMS TECHNOLOGIES** and must be returned upon request.



ITEM	PART NO.	QTY.	DESCRIPTION
1	M363-200-01	1	WELDMENT, SHIELD HAULER TRAILER
2	M363-505-01	1	WINCH, 65K
3	M515-500-26	8	7/8-9 X 2 1/2 GR 8 HEX HEAD CAPSCREWS - Torque 450 ft lb
	M503-555-01	8	7/8 SAE FLATWASHER
4	M363-505-02	1	WINCH ROPE

TOLERANCES	
Linear unless noted	
Machined: ±0.005	
Fabricated: ±0.02	
Angular: ±1/2°	
Surface finish 125	

**DRY SYSTEMS TECHNOLOGIES**  
 10420 RISING COURT  
 WOODRIDGE, IL 60517  
 Phone: 630-427-2051 Fax: 630-427-1036  
 E-Mail: eng@drysystemstech.com

DESCRIPTION		NO RECD
WINCH INSTALLATION		1
SCALE	DATE	DRAWN BY
Full	Dec 21 2015	W Fox
MATERIAL	APPROVED BY	
DRAWING NO	<b>SECTION 6-01</b>	

