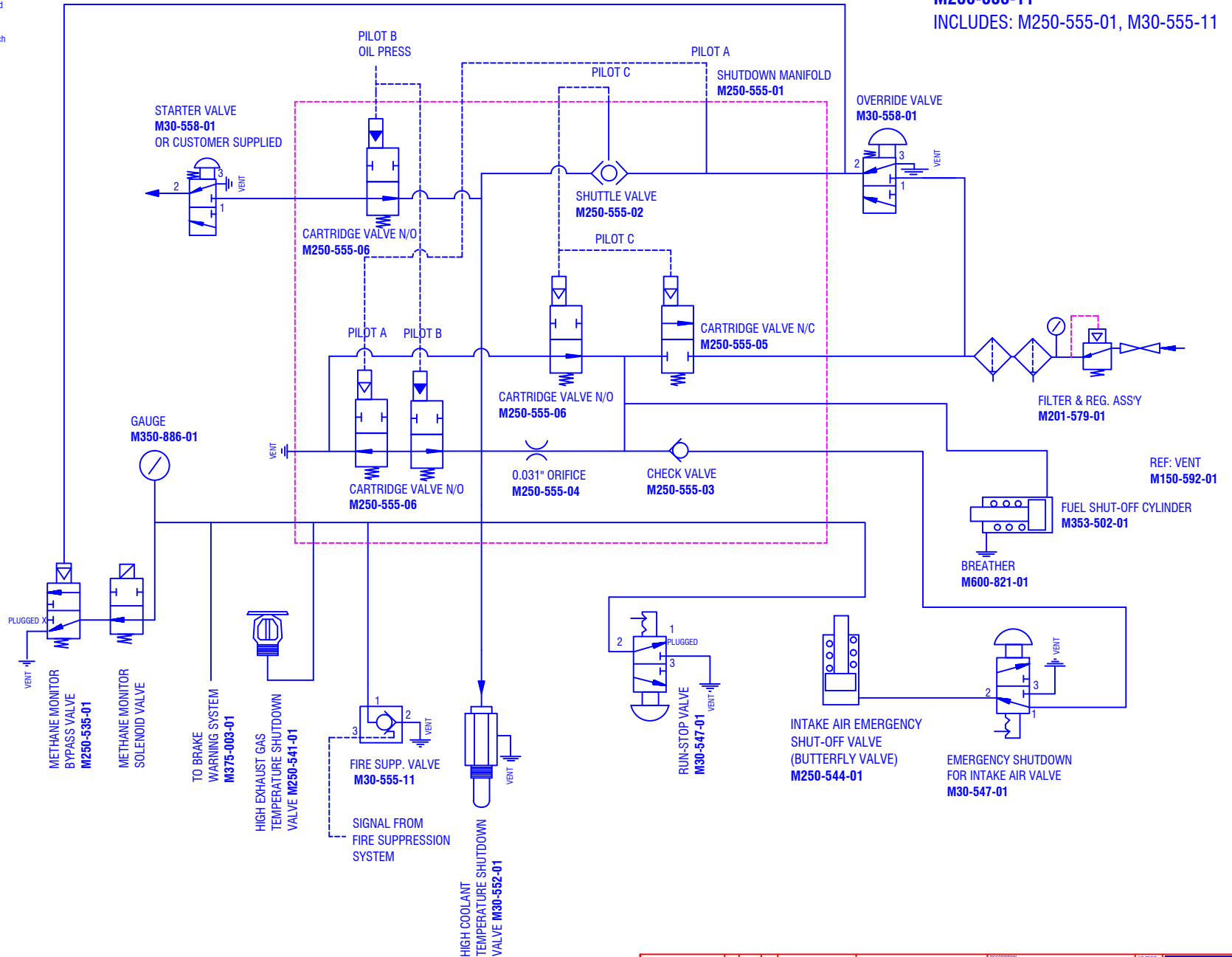


CONFIDENTIAL & PROPRIETARY

All data contained in this document is sole property of **DRY SYSTEMS TECHNOLOGIES** and is considered confidential and proprietary. This document may not be reproduced, released to third parties, or used for purposes other than for which it was furnished, without express written consent of **DRY SYSTEMS TECHNOLOGIES**. This document remains property of **DRY SYSTEMS TECHNOLOGIES** and must be returned upon request.

ALL PNEUMATIC LINES AND HOSES MUST HAVE AN INSIDE DIAMETER OF 0.25"-0.31"

SAFETY SHUTDOWN ASS'Y
M250-555-11
 INCLUDES: M250-555-01, M30-555-11



TOLERANCES		DRY SYSTEMS TECHNOLOGIES		SHUTDOWN SYSTEM		NO. RECD
Linear unless noted		WOODRIDGE, IL 60517 Phone: 630-427-2051 Fax: 630-427-1036 E-Mail: eng@dryssystemstech.com		SCALE	DATE	DESIGNED BY
Machined: ±0.005					Jan 9, 2018	R GIBBS
Fabricated: ±0.02				See Detail Drawings		APPROVED BY
Angular: ±1/2°				M354-012-03		
Surface finish 125						