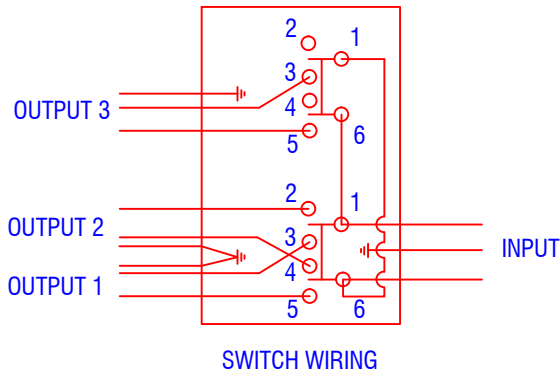
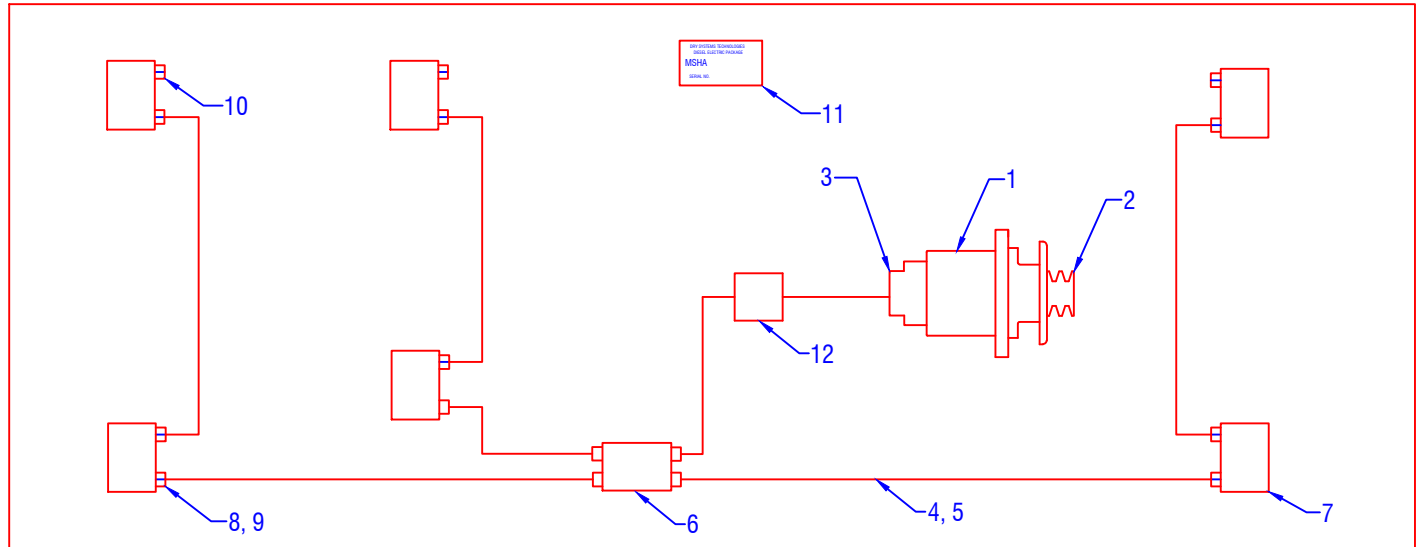


CONFIDENTIAL & PROPRIETARY

All data contained in this document is sole property of **DRY SYSTEMS TECHNOLOGIES** and is considered confidential and proprietary. This document may not be reproduced, released to third parties, or used for purposes other than for which it was furnished, without express written consent of **DRY SYSTEMS TECHNOLOGIES**. This document remains property of **DRY SYSTEMS TECHNOLOGIES** and must be returned upon request.



BILL of MATERIAL			
ITEM	QTY	PART NUMBER	DESCRIPTION
		M261-544-01	KIT (includes *)
1	1	M500-521-01	ALTERNATOR, 12 VOLT
2	1	M500-530-01	PULLEY - CUMMINS
2 ALT	1	M500-527-01	PULLEY - ISUZU
2 ALT	1	M500-521-106	PULLEY - CATERPILLAR
3*	2	M500-521-200	FUSE, 20A
4*	FT	M261-514-01	CONDUIT HOSE, 3/4 ID
5*	FT	M261-517-01	CABLE, MULTICONDUCTOR, 12/3
6*	1	M261-512-01	LIGHT SWITCH BOX, DUAL SWITCH
6 ALT	1	M261-522-01	LIGHT SWITCH BOX, DUAL SWITCH
7*	6	M261-534-01	HEADLIGHT ASS'Y 12 VOLT, LED
		M261-530-01	LAMP, 12 VOLT, LED FLOOD
8*	7	M261-505-01	PACKING GLAND, 3/4 STRAIGHT
9*	7	M261-506-01	PACKING GLAND, 3/4 ELBOW
10*	7	M261-507-01	PLUG
11*	1	M261-520-01	EVALUATION TAG
12 OPT	1	M261-513-01	CONNECTION BOX

REF 7-07

REF 7-12

REF 7-10

SECTION 7-05

1. The Electrical System Schematic Diagram is drawing M261-012-01
2. The Electrical Permissibility Checklist is M261-008-01
3. A Diesel Electric Evaluation plate shall be located in the operator's compartment and shall be attached with adhesive or mechanical fasteners.

TOLERANCES			
Linear unless noted			
Machined: ±0.005			
Fabricated: ±0.01			
Angular: ±1/2°			
Surface finish 125			
REV	DATE	NAME	DESCRIPTION
01	0415	RG	M500-521-200 was M500-521-20

DRY SYSTEMS TECHNOLOGIES
 10420 RISING COURT
 WOODRIDGE, IL 60517
 Phone: 630-427-2051 Fax: 630-427-1036
 E-Mail: eng@drysystemstech.com

DESCRIPTION			NO. REQS.
ELECTRICAL INSTALLATION			
SCALE	DATE	DRAWN BY	
FULL	JANUARY 13, 2014	R GIBBS	
MATERIAL	APPROVED BY		
DRAWING NO.	M261-026-01		

