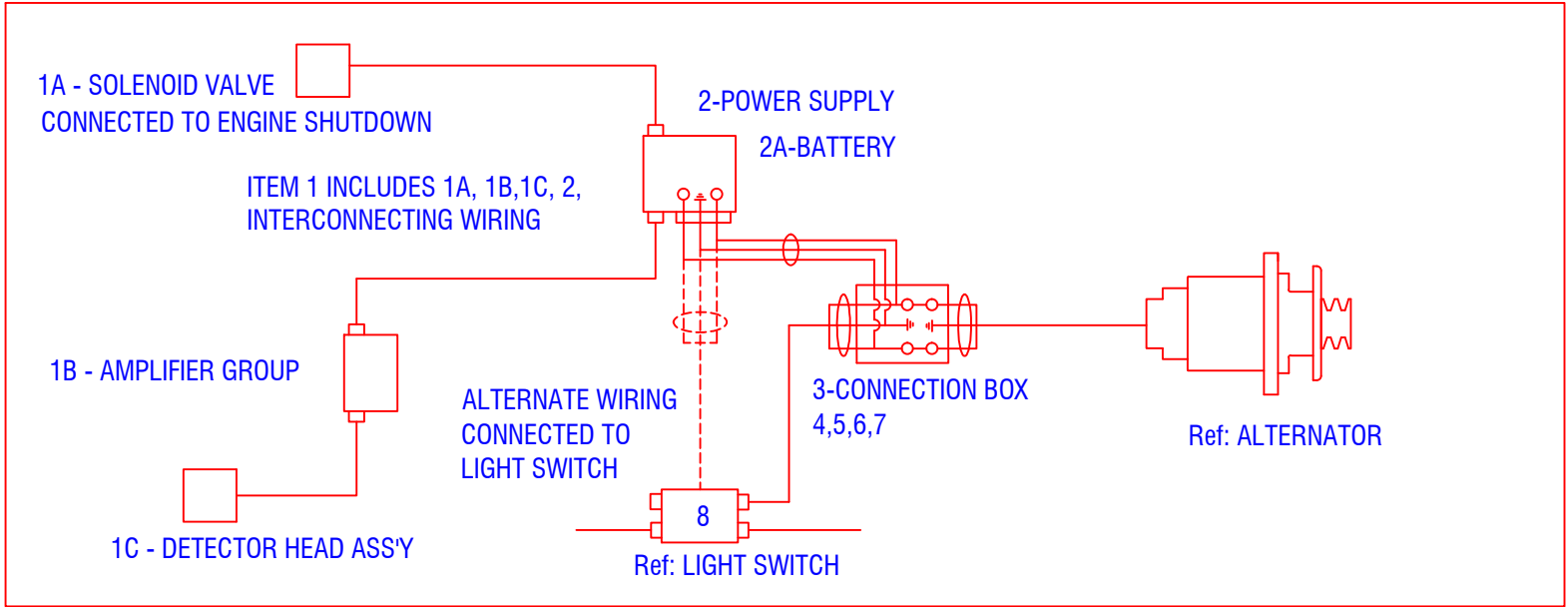


CONFIDENTIAL & PROPRIETARY

All data contained in this document is sole property of **DRY SYSTEMS TECHNOLOGIES** and is considered confidential and proprietary. This document may not be reproduced, released to third parties, or used for purposes other than for which it was furnished, without express written consent of **DRY SYSTEMS TECHNOLOGIES**. This document remains property of **DRY SYSTEMS TECHNOLOGIES** and must be returned upon request.



BILL of MATERIAL			
ITEM	QTY	PART NUMBER	DESCRIPTION
1	1	M261-518-01	METHANE MONITOR
1A	1	M261-518-05	SOLENOID VALVE ASSEMBLY
1B	1	M261-518-03	AMPLIFIER GROUP
1C	1	M261-518-04	DETECTOR HEAD ASS'Y
2	1	M261-518-08	POWER SUPPLY
2A	1	M261-518-02	BATTERY, 6V
3	1	M261-513-01	CONNECTION BOX
4	1	M261-507-01	PLUG
5	4	M261-505-01	PACKING GLAND, 3/4 STRAIGHT
6	FT	M261-514-01	CONDUIT HOSE, 3/4 ID
7	FT	M261-517-01	CABLE, MULTICONDUCTOR, 12/3
8	3	M261-521-01	SOFT START
		M261-519-01	METHANE MONITOR KIT

OPTIONAL INSTALLATION

SECTION 7-13

TOLERANCES			
Linear unless noted			
Machined: ±0.005			
Fabricated: ±0.01			
Angular: ±1/2°			
Surface finish 125			
REV	DATE	NAME	DESCRIPTION

DRY SYSTEMS TECHNOLOGIES
 8102 LEMONT ROAD, SUITE 700
 WOODRIDGE, IL 60517
 Phone: 630-427-2051 Fax: 630-427-1036
 E-Mail: eng@drysystechnology.com

DESCRIPTION			NO RECD
METHANE MONITOR INSTALLATION			
SCALE	DATE	DRAWN BY	
FULL	June 21, 2010	R GIBBS	
MATERIAL		APPROVED BY	
See Detail Drawings			
DRAWING NO		M261-018-01	

