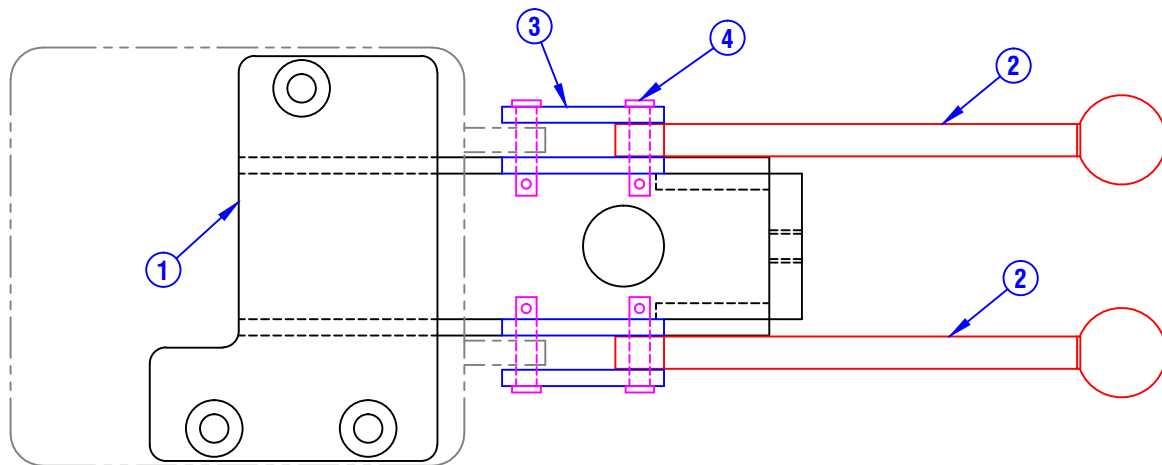
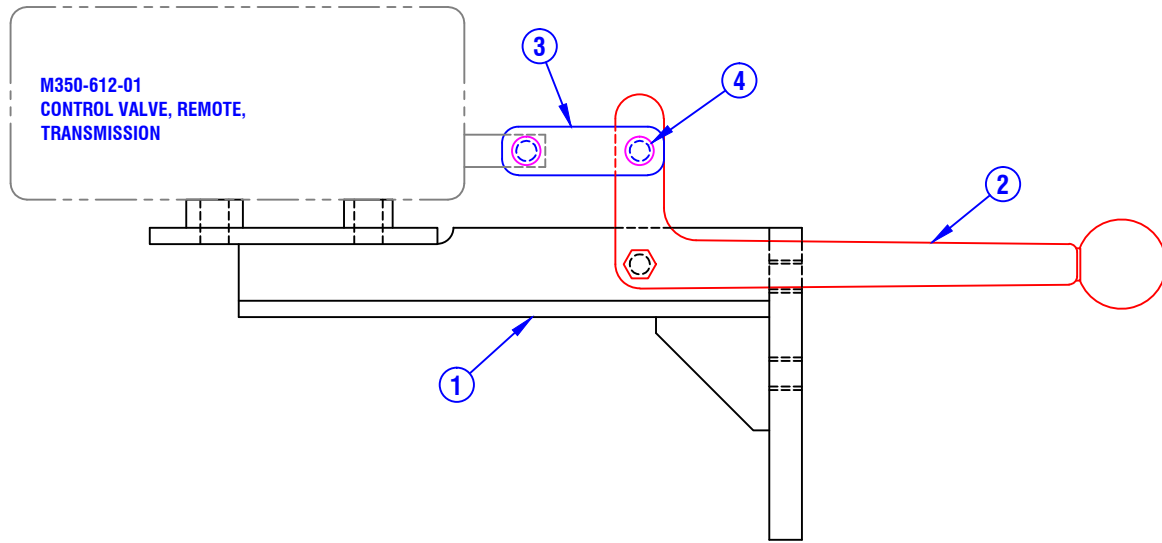


CONFIDENTIAL & PROPRIETARY

All data contained in this document is sole property of **DRY SYSTEMS TECHNOLOGIES** and is considered confidential and proprietary.

This document may not be reproduced, released to third parties, or used for purposes other than for which it was furnished, without express written consent of **DRY SYSTEMS TECHNOLOGIES**.

This document remains property of **DRY SYSTEMS TECHNOLOGIES** and must be returned upon request.

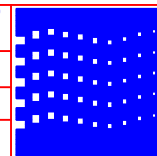


ITEM	PART NUMBER	QUAN.	DESCRIPTION
1	M350-239-01	1	TRANSMISSION VALVE MOUNT
2	M350-239-10	2	TRANSMISSION VALVE LEVER
3	M350-239-11	4	TRANSMISSION LEVER BRACKET
4	M350-239-14	4	CLEVIS PIN

TOLERANCES	
Linear unless noted	
Machined: ±0.005	
Fabricated: ±0.02	
Angular: ±1/2°	
Surface finish 125	
REV	DATE
NAME	DESCRIPTION

DRY SYSTEMS TECHNOLOGIES
 10420 RISING COURT
 WOODRIDGE, IL 60517
 Phone: 630-427-2051 Fax: 630-427-1036
 E-Mail: andi@drysystemstech.com

DESCRIPTION	35S TRANSMISSION VALVE MOUNT	NO RECD	1
SCALE	NONE	DATE	JULY 7, 2015
DRAWN BY	W Fox	APPROVED BY	
DRAWING NO	M350-239-01		

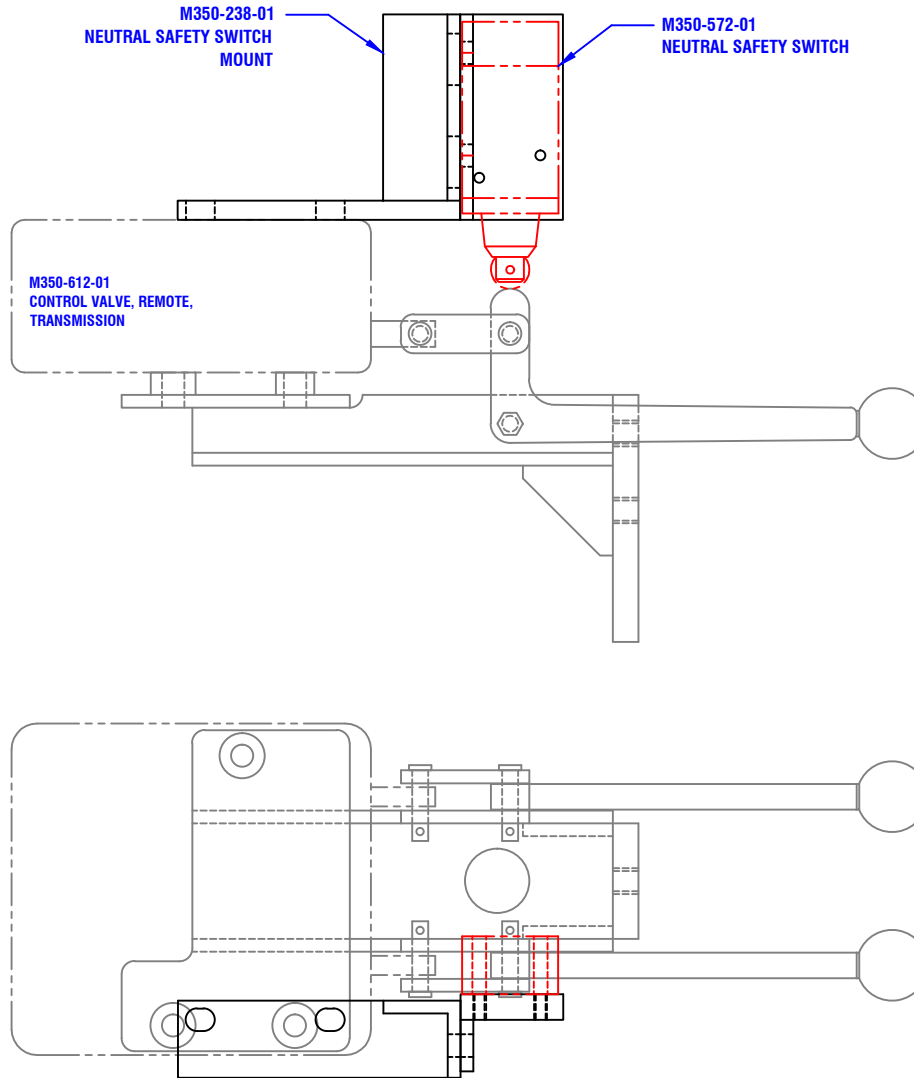


CONFIDENTIAL & PROPRIETARY

All data contained in this document is sole property of DRY SYSTEMS TECHNOLOGIES and is considered confidential and proprietary.

This document may not be reproduced, released to third parties, or used for purposes other than for which it was furnished, without express written consent of DRY SYSTEMS TECHNOLOGIES.

This document remains property of DRY SYSTEMS TECHNOLOGIES and must be returned upon request.



TOLERANCES			
Linear unless noted			
Machined: ±0.005			
Fabricated: ±0.02			
Angular: ±1/2°			
Surface finish 125			

DRY SYSTEMS TECHNOLOGIES
10420 RISING COURT
WOODRIDGE, IL 60517
Phone: 630-427-2051 Fax: 630-427-1036
E-Mail: eng@dryssystemstech.com

DESCRIPTION	QUANTITY
NEUTRAL SAFETY SWITCH MOUNT	1

SCALE	DATE	DRAWN BY
NONE	JULY 7, 2015	W FOX

MATERIAL	APPROVED BY

DRAWING NO: **M350-238-01**

