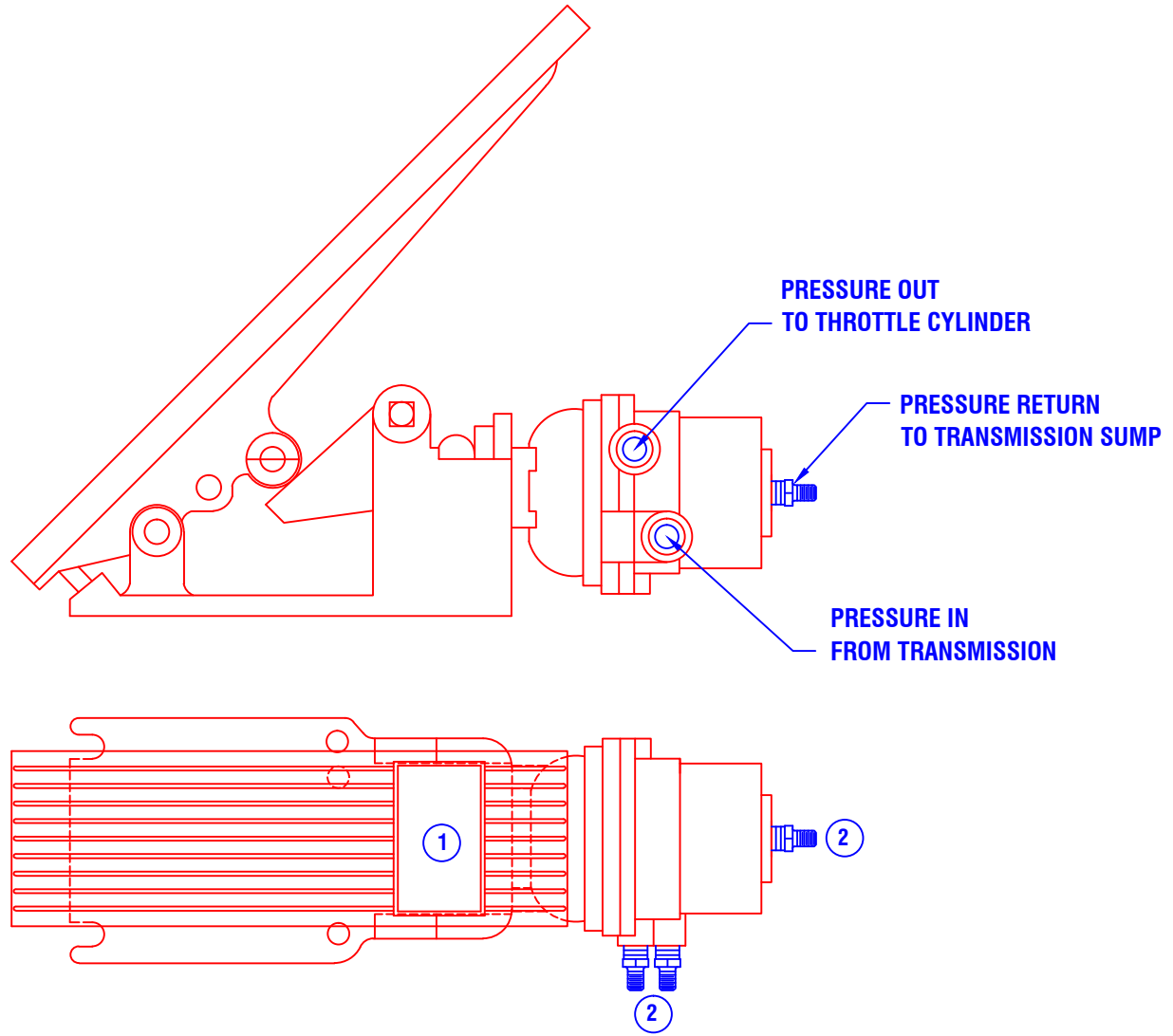


CONFIDENTIAL & PROPRIETARY

All data contained in this document is sole property of **DRY SYSTEMS TECHNOLOGIES** and is considered confidential and proprietary.

This document may not be reproduced, released to third parties, or used for purposes other than for which it was furnished, without express written consent of **DRY SYSTEMS TECHNOLOGIES**.

This document remains property of **DRY SYSTEMS TECHNOLOGIES** and must be returned upon request.



ITEM	PART NUMBER	QUAN.	DESCRIPTION
1	M365-581-01	1	HYD PROPORTIONAL THROTTLE PEDAL
2	M	3	6400-04-06 MJ - MB STR FITTING

TOLERANCES Linear unless noted Machined: ±0.005 Fabricated: ±0.02 Angular: ±1/2° Surface finish 125					DRY SYSTEMS TECHNOLOGIES 10420 RISING COURT WOODRIDGE, IL 60517 Phone: 630-427-2051 Fax: 630-427-1036 E-Mail: eng@drysystemstech.com	DESCRIPTION HYD PROPORTIONAL THROTTLE PEDAL	NO RECD 1	
	SCALE Full	DATE April 25 2016	DRAWN BY W Fox					
	MATERIAL		APPROVED BY					
	DRAWING NO M365-581-01							