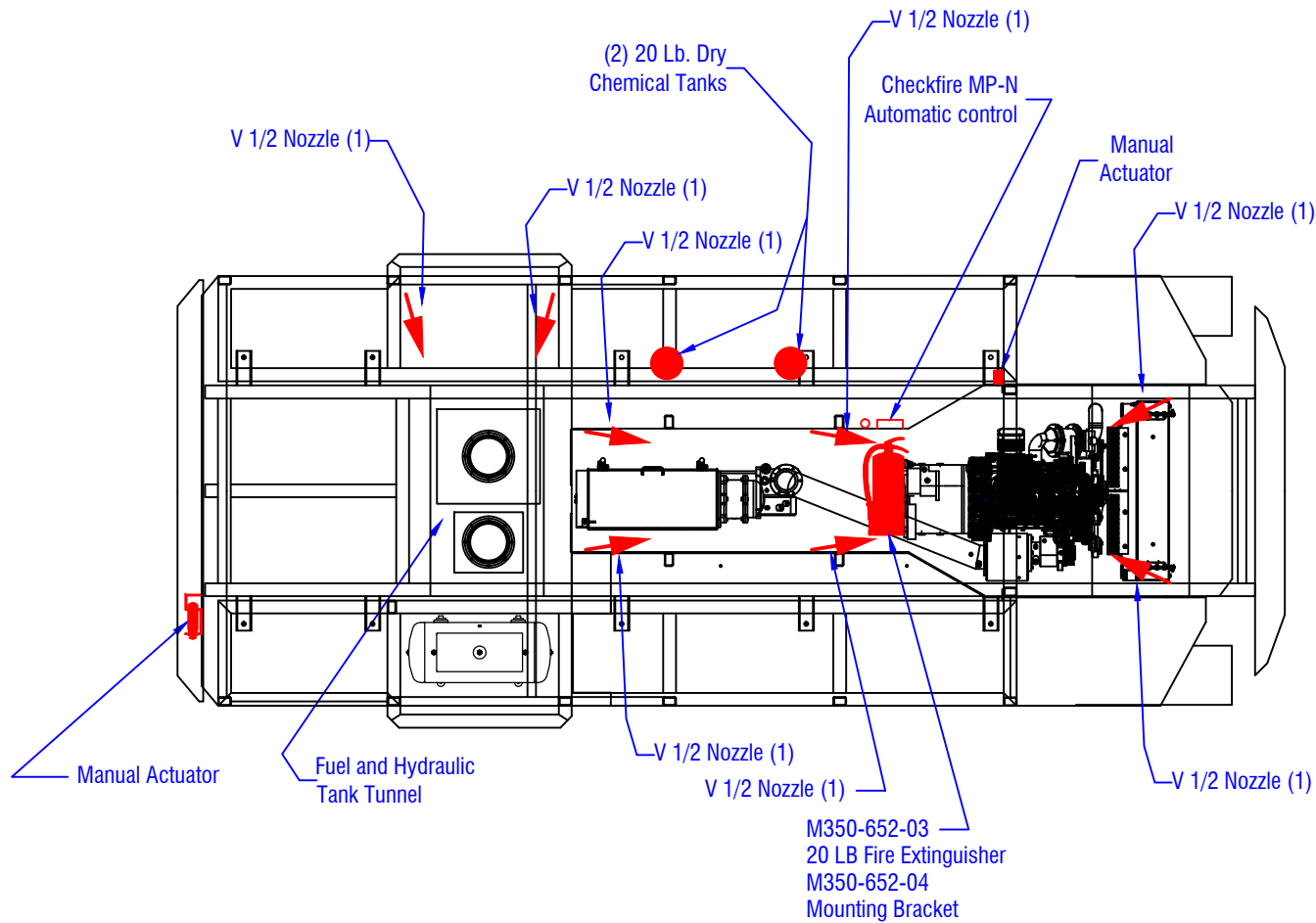


**CONFIDENTIAL & PROPRIETARY**  
 All data contained in this document is sole property of **DRY SYSTEMS TECHNOLOGIES** and is considered confidential and proprietary.  
 This document may not be reproduced, released to third parties, or used for purposes other than for which it was furnished, without express written consent of **DRY SYSTEMS TECHNOLOGIES**.  
 This document remains property of **DRY SYSTEMS TECHNOLOGIES** and must be returned upon request.

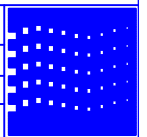


TOLERANCES	REV	DATE	NAME	DESCRIPTION
Linear unless noted				
Machined: ±0.005				
Fabricated: ±0.02				
Angular: ±1/2°				
Surface finish 125				

**DRY SYSTEMS TECHNOLOGIES**  
 10420 RISING COURT  
 WOODRIDGE, IL 60517  
 Phone: 630-427-2051 Fax: 630-427-1036  
 E-Mail: enq@dryssystemstech.com

DESCRIPTION	NO REQ'D
Fire Suppression Locations	
SCALE: None	DATE: March 7, 2018
MATERIAL:	APPROVED BY:
DRAWING NO:	

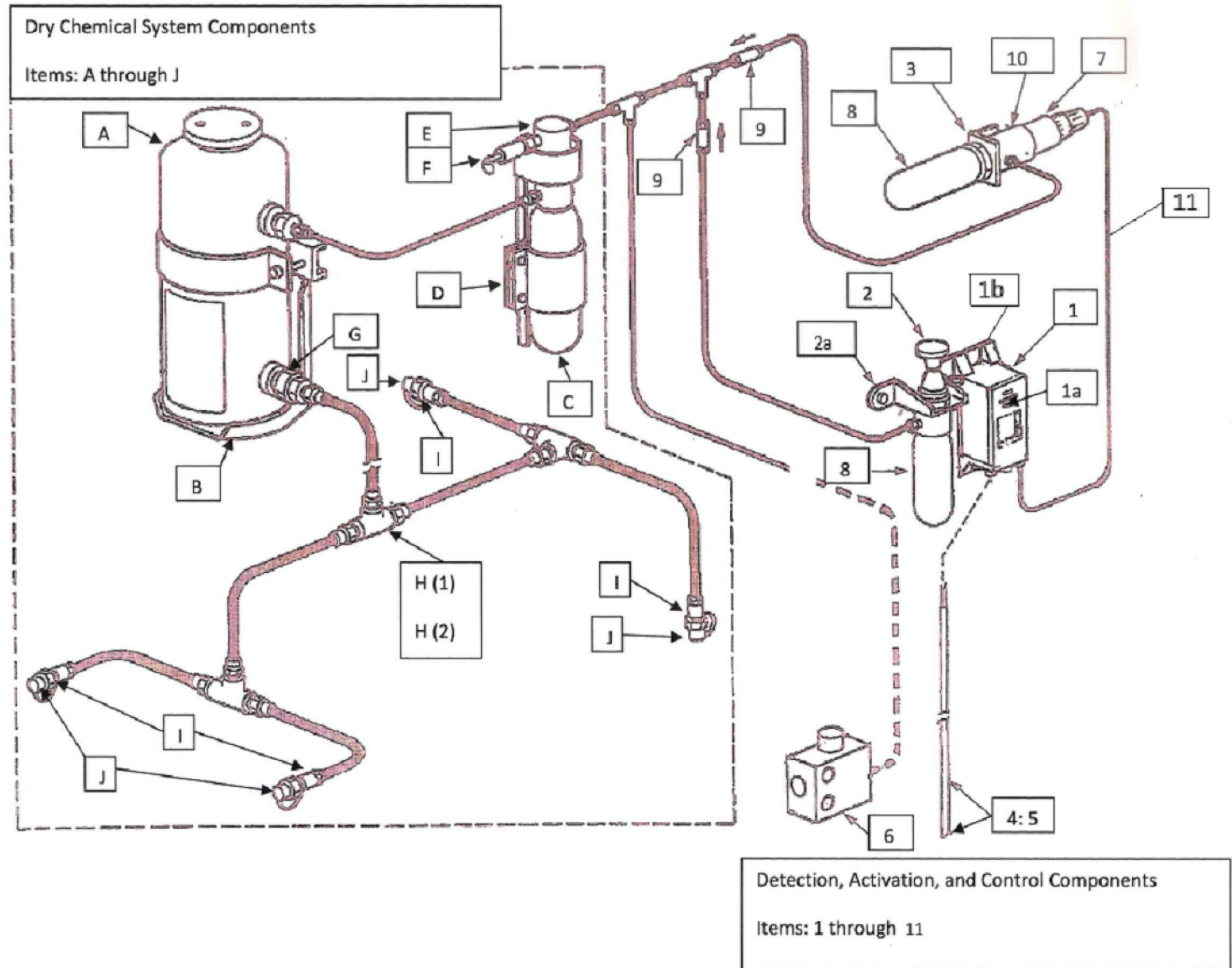
**M375-103-01**



**CONFIDENTIAL & PROPRIETARY**

All data contained in this document is sole property of **DRY SYSTEMS TECHNOLOGIES** and is considered confidential and proprietary. This document may not be reproduced, released to third parties, or used for purposes other than for which it was furnished, without express written consent of **DRY SYSTEMS TECHNOLOGIES**. This document remains property of **DRY SYSTEMS TECHNOLOGIES** and must be returned upon request.

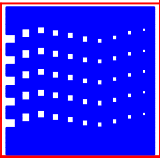
**FIRE SUPPRESSION SYSTEM COMPONENTS – TABLE 1**



TOLERANCES	
Linear unless noted	
Machined: ±0.005	
Fabricated: ±0.02	
Angular: ±1/2°	
Surface finish 125	

**DRY SYSTEMS TECHNOLOGIES**  
 10420 RISING COURT  
 WOODRIDGE, IL 60517  
 Phone: 630-427-2051 Fax: 630-427-1036  
 E-Mail: eng@drysystemstech.com

DESCRIPTION		NO RECD
FIRE SUPPRESSION SYSTEM		1
SCALE	DATE	DRAWN BY
None	May 09 2018	W Fox
MATERIAL		APPROVED BY
DRAWING NO		
<b>SECTION 8-05 p3</b>		



**FIRE SUPPRESSION COMPONENTS**

ITEM	PART NUMBER	QUAN.	DESCRIPTION
A	M505-562-01	2	LT-LP-101-20-B TANK & AGENT
B	M512-500-34	2	MOUNTING BRACKET
C	M512-500-36	2	GAS CARTRIDGE - LT-30-R NITROGEN CARTRIDGE
D	M512-500-35	2	GAS CARTRIDGE, BRACKET
E	M512-500-05	2	PNEUMATIC ACTUATOR
F	M512-500-06	1	SAFETY RELIEF VALVE
G	M512-500-07	2	SEALED BURST DISC ASSEMBLY - 1 per agent tank
H(1)	M512-500-39	2	REDUCING TEE, 3/4 X 1/2 X 1/2
H(2)	M512-500-29	4	GALVANIZED TEE, 1/2 X 1/2 X 1/2
I	M512-500-10	8	V-1/2 NOZZLE
J	M512-500-11	8	NOZZLE BLOW-OFF CAP
1	M512-500-12	1	CHECKFIRE MP-N, CONTROL MODULE
	M512-500-13		MP-N CONTROL MODULE - REPLACEMENT FRONT COVER ASSEMBLY
	M512-500-14		MP-N FRONT COVER REMOVAL TOOL
1a	M512-500-15	1	CHECKFIRE BATTERY
1b	M512-500-17	1	BRACKET
2	M512-500-16	2	REMOTE ACTUATOR, RH THREAD
2a	M512-500-37	2	COMBINED BRACKET
3	M512-500-18	1	ACTUATOR BRACKET, GAS MOTOR
4	M504-592-01	1	LINEAR DETECTION WIRE - 100 ft roll
5	M512-500-19	1	END-OF-LINE RESISTOR
6	M30-555-11	1	ENGINE SHUTDOWN - installed on air board
7	M512-500-20	1	GAS MOTOR
8	M512-500-21	3	LT-10-R CARTRIDGE
9	M512-500-22	3	1/4 IN CHECKVALVE
10	M512-500-23	1	GAS MOTOR ACTUATOR
11	M512-500-38	1	CABLE ASSEMBLY & CONNECTOR, GAS MOTOR
	M512-500-24	8	NOZZLE BRACKETS ( not shown )
	M512-500-25	8	NOZZLE LOCK-WASHER ( not shown )

NOTE: CHECKFIRE TIMING ON ALL UNDERGROUND DIESEL EQUIPMENT MUST BE SET TO ACTIVATE WITHIN 15 SECONDS, THE DIP-SWITCH SETTINGS MUST BE SET TO: 1-ON, 2-OFF, 3-OFF, 4-ON, 5-ON, 6-OFF, 7-ON