

CONFIDENTIAL & PROPRIETARY

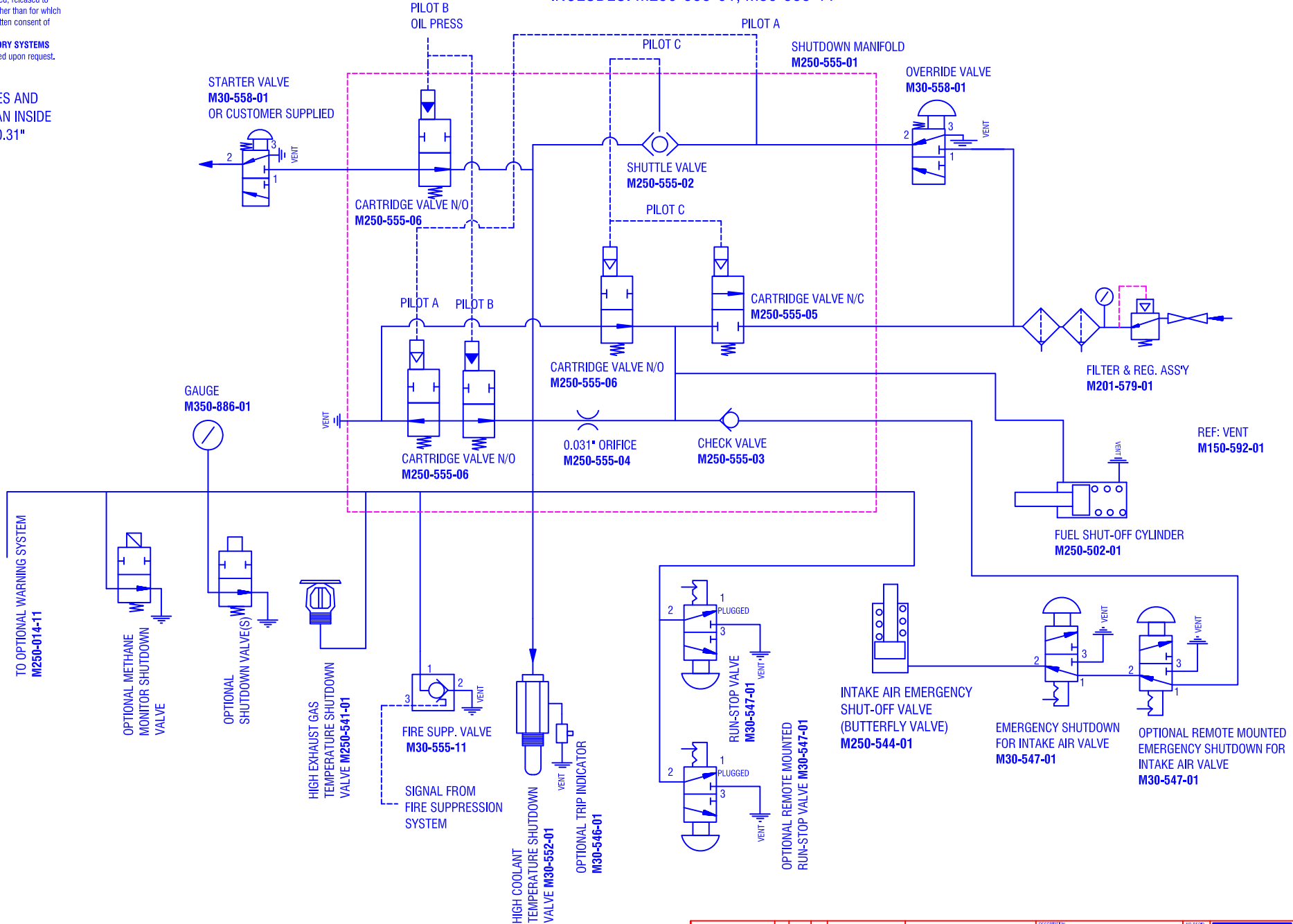
All data contained in this document is sole property of **DRY SYSTEMS TECHNOLOGIES** and is considered confidential and proprietary. This document may not be reproduced, released to third parties, or used for purposes other than for which it was furnished, without express written consent of **DRY SYSTEMS TECHNOLOGIES**. This document remains property of **DRY SYSTEMS TECHNOLOGIES** and must be returned upon request.

ALL PNEUMATIC LINES AND HOSES MUST HAVE AN INSIDE DIAMETER OF 0.25"-0.31"

SAFETY SHUTDOWN ASSY

M250-555-11

INCLUDES: M250-555-01, M30-555-11



TO OPTIONAL WARNING SYSTEM
M250-014-11

OPTIONAL METHANE
MONITOR SHUTDOWN
VALVE

OPTIONAL
SHUTDOWN VALVE(S)

HIGH EXHAUST GAS
TEMPERATURE SHUTDOWN
VALVE M250-541-01

FIRE SUPP. VALVE
M30-555-11

HIGH COOLANT
TEMPERATURE SHUTDOWN
VALVE M30-552-01

OPTIONAL TRIP INDICATOR
M30-546-01

OPTIONAL REMOTE MOUNTED
RUN-STOP VALVE M30-547-01

INTAKE AIR EMERGENCY
SHUT-OFF VALVE
(BUTTERFLY VALVE)
M250-544-01

EMERGENCY SHUTDOWN
FOR INTAKE AIR VALVE
M30-547-01

OPTIONAL REMOTE MOUNTED
EMERGENCY SHUTDOWN FOR
INTAKE AIR VALVE
M30-547-01

REF: VENT
M150-592-01

FUEL SHUT-OFF CYLINDER
M250-502-01

0.031\"/>

TOLERANCES

Linear unless noted

Machined: ± 0.005

Fabricated: ± 0.02

Angular: ± 1/2"

Surface finish 125

REV	DATE	BY	DESCRIPTION

DRY SYSTEMS TECHNOLOGIES

10420 RISING COURT
WOODRIDGE, IL 60517
Phone: 630-427-2000 Fax: 630-427-1036
E-Mail: eng@drysystemstech.com

DESCRIPTION		SHUTDOWN SYSTEM		NO. REVISIONS
SCALE	DATE	DESIGNED BY	APPROVED BY	
	Dec 16, 2015	R GIBBS		
MATERIAL	See Detail Drawings			
DRAWING NO.	M250-019-02			

