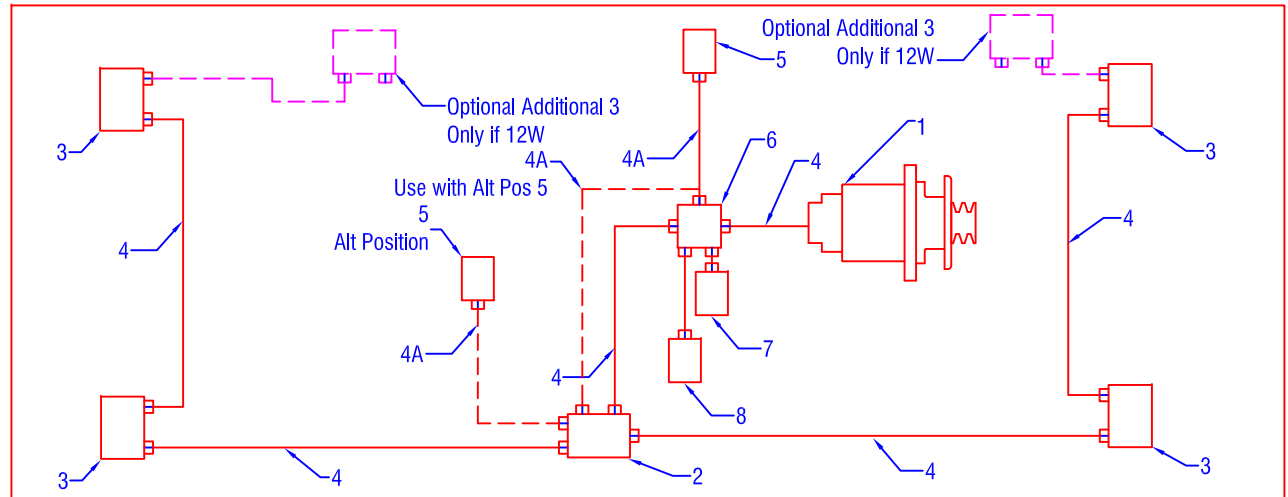


CONFIDENTIAL & PROPRIETARY

All data contained in this document is sole property of **DRY SYSTEMS TECHNOLOGIES** and is considered confidential and proprietary. This document may not be reproduced, released to third parties, or used for purposes other than for which it was furnished, without express written consent of **DRY SYSTEMS TECHNOLOGIES**. This document remains property of **DRY SYSTEMS TECHNOLOGIES** and must be returned upon request.

NOTES:

1. All hose conduit is flame resistant as per 30 CFR, 18.65, and oil resistant.
2. All electrical cables are enclosed in hose conduit.
3. Headlights are protected by guards or by machine location.
4. All unused glands are plugged and tack-welded.
5. All electrical cables are isolated from hydraulic lines.
6. All intercomponent cables are clamped in place to prevent undue movement.



1. The Electrical System Schematic Diagram is drawing M261-007-01.
2. The Electrical Permissibility Checklist is M261-008-01.
3. A Diesel Electric Evaluation plate shall be located in the operator's compartment and shall be attached with adhesive or mechanical fasteners.

NOTE:
IF 12W HEADLIGHTS ARE USED, QUANTITY MAY INCREASE UP TO 10.

MODEL M261-02

BILL OF MATERIAL

ITEM	QTY	MANUFACTURER	MFG MODEL NUMBER	DESCRIPTION	CERT. NO.
1	1	DST (FPA15-000)	M500-521-01	ALTERNATOR, 12 VOLT, 300 W	07-JA040001-0
2	1	MINING CONTROLS	27434CB1	HEADLIGHT SWITCH	XP3844-1
2 ALT	1	MINING CONTROLS	31090-SB1	HEADLIGHT SWITCH	XP3846-1
2 ALT	1	MINING CONTROLS	35400	HEADLIGHT SWITCH	XP3844-1
2 ALT	1	SMC ELECTRICAL PRODUCTS	122-ABCX-0002	HEADLIGHT SWITCH	XP1683-2
3	4	MINING CONTROLS	MCI50XP	HEADLIGHT, 12 VOLT, 50 W, 35W or 12 W	XP3938-0,-1
3 ALT	4	OCENCO	HE-50	HEADLIGHT, 12 VOLT, 50 W	XP3221-0
3 ALT	4	KERSEY	12880	HEADLIGHT, 12 VOLT, 35 W	XP1468-31
3 ALT	4	KERSEY	12880-4	HEADLIGHT, 12 VOLT, 35 W	XP1468-16
5 OPTIONAL	1	MINING CONTROLS	27434-LP	STROBELIGHT, 12 VOLT, 5 W	XP3843-2
6 OPTIONAL	1	MINING CONTROLS	35400	CONNECTION BOX	XP3844-1
7 OPTIONAL	1	MINING CONTROLS	See DST DRAWING M261-022-01, Alt M261-022-02	CAMERA SYSTEM, 12 VOLT, 2.2 AMPS	XP3844-1 XP3938-0,-1
8 OPTIONAL	1	APPALACHIAN ELECTRONIC	See DST DRAWING M261-015-01	METHANE MONITOR SYSTEM	32A-02MD-0

CABLE and CONDUIT

ITEM	CABLE	CONDUIT
4	12/3 Type SJOOW, 300V, 0.43 OD (0.425-0.475), -40°C to 90°C	3/4" ID, FLAME RESISTANT
4A	12/3 Type SJOOW, 300V, 0.43 OD (0.425-0.475), -40°C to 90°C	3/4" ID, FLAME RESISTANT

DO NOT CHANGE THIS DRAWING WITHOUT MSHA APPROVAL

TOLERANCES Linear unless noted Machined: ±0.005 Fabricated: ±0.01 Angular: ±1/2° Surface finish 125					DRY SYSTEMS TECHNOLOGIES 8102 LEMONT ROAD, SUITE 700 WOODRIDGE, IL 60517 Phone: 630-427-2051 Fax: 630-427-1036 E-Mail: eng@drysystemstech.com	DESCRIPTION ELECTRICAL SUMMARY SHEET	NO. REC'D
	SCALE	DATE	DRAWN BY	APPROVED BY			
	FULL	November 1, 2007	R GIBBS				
	MATERIAL See Detail Drawings						
02 1214 RG Updated 01 1212 RG Add Items 5,6,7,8,12W	REV	DATE	NAME	DESCRIPTION	DRAWING NO. M261-006-01		