

CONFIDENTIAL & PROPRIETARY

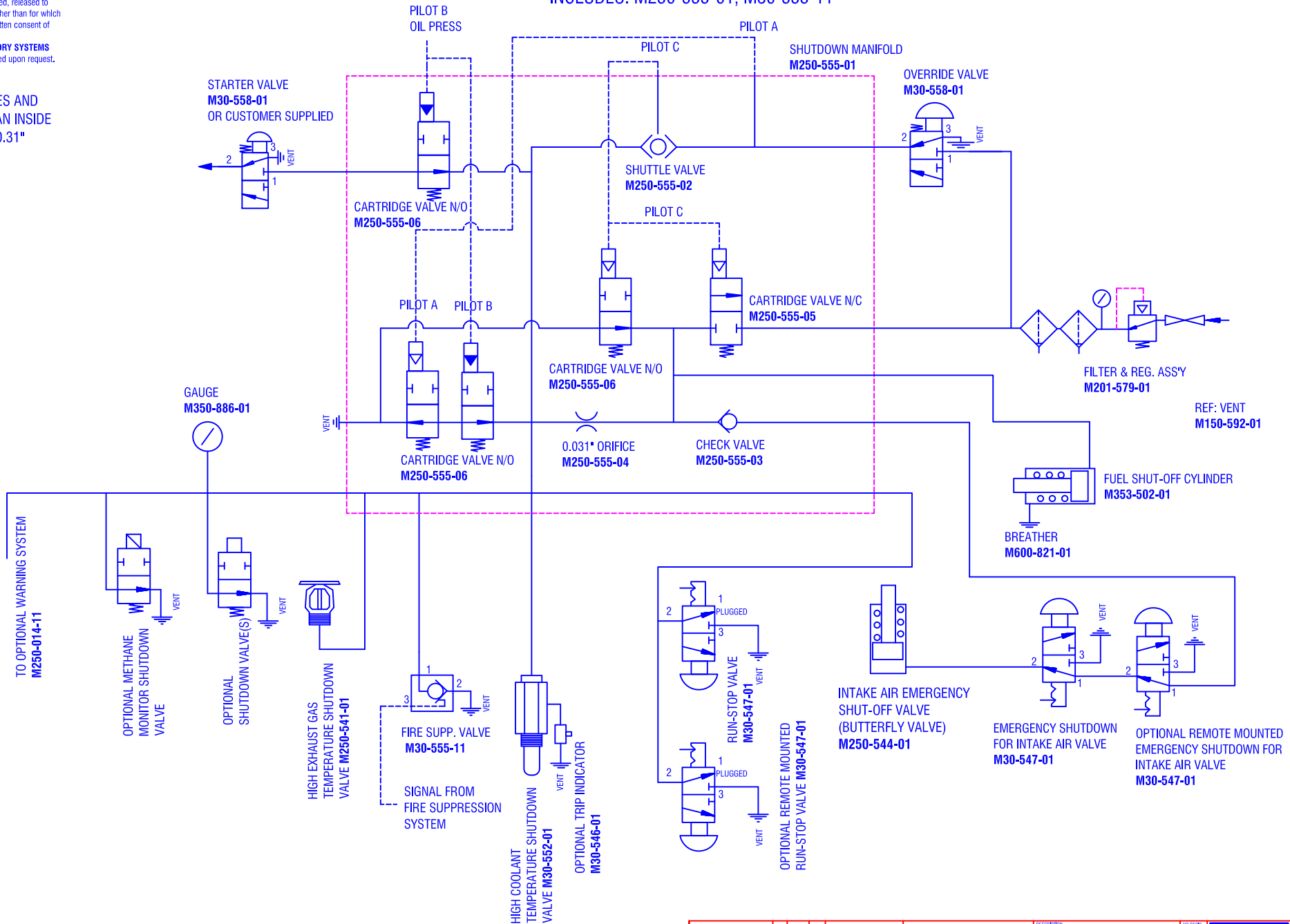
All data contained in this document is sole property of **DRY SYSTEMS TECHNOLOGIES** and is considered confidential and proprietary. This document may not be reproduced, released to third parties, or used for purposes other than for which it was furnished, without express written consent of **DRY SYSTEMS TECHNOLOGIES**. This document remains property of **DRY SYSTEMS TECHNOLOGIES** and must be returned upon request.

ALL PNEUMATIC LINES AND HOSES MUST HAVE AN INSIDE DIAMETER OF 0.25"-0.31"

SAFETY SHUTDOWN ASSY

M250-555-11

INCLUDES: M250-555-01, M30-555-11



TO OPTIONAL WARNING SYSTEM
M250-014-11

OPTIONAL METHANE
MONITOR SHUTDOWN
VALVE

OPTIONAL
SHUTDOWN VALVE(S)

HIGH EXHAUST GAS
TEMPERATURE SHUTDOWN
VALVE M250-541-01

FIRE SUPP. VALVE
M30-555-11

HIGH COOLANT
TEMPERATURE SHUTDOWN
VALVE M30-552-01

OPTIONAL TRIP INDICATOR
M30-546-01

OPTIONAL REMOTE MOUNTED
RUN-STOP VALVE M30-547-01

INTAKE AIR EMERGENCY
SHUT-OFF VALVE
(BUTTERFLY VALVE)
M250-544-01

EMERGENCY SHUTDOWN
FOR INTAKE AIR VALVE
M30-547-01

OPTIONAL REMOTE MOUNTED
EMERGENCY SHUTDOWN FOR
INTAKE AIR VALVE
M30-547-01

TOLERANCES		DRY SYSTEMS TECHNOLOGIES		SHUTDOWN SYSTEM		NO. REVISIONS
Linear unless noted		10420 RISING COURT		SCALE	DATE	DESIGNED BY
Machined: ± 0.005		WOODRIDGE, IL 60517			Jan 13, 2016	R GIBBS
Fabricated: ± 0.02		Phone: 630-427-2100 Fax: 630-427-1036		MATERIAL		APPROVED BY
Angular: ± 1/2"		E-Mail: eng@dryssystemtech.com		See Detail Drawings		
Surface finish 125				DRAWING NO.	M354-012-02	
REV	DATE	BY	DESCRIPTION			