



Dry Systems[®] Technologies

Technology for a cleaner environment

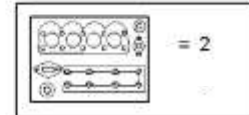
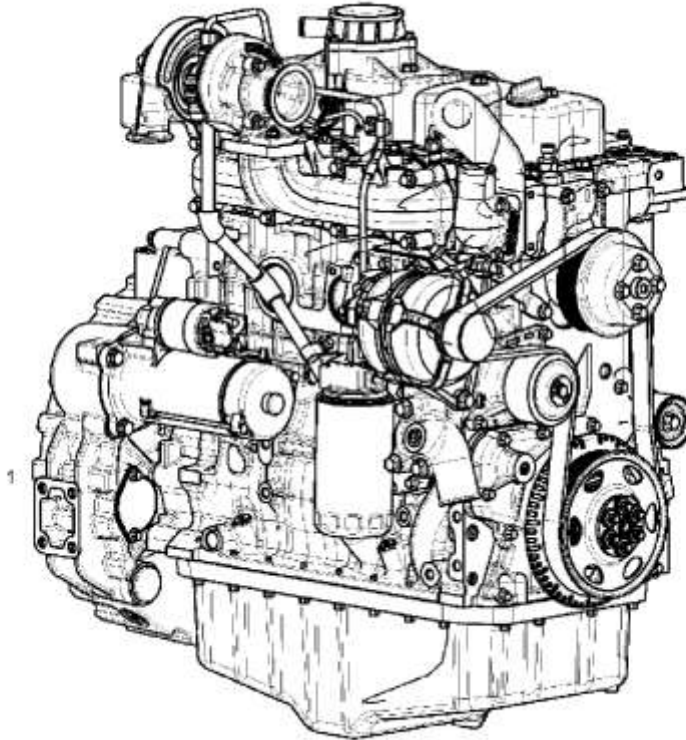
FPT N45 – Parts Catalog

M500-256-21



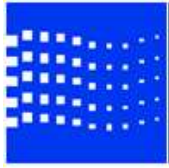
Table of Contents

| | Page No. | | Page No. |
|---------------------------------|------------|-----------------------------|----------|
| Air Transfer Pipe | 19 | Lifting Lug | 48, 50 |
| Air Intake Assembly..... | 14, 15, 16 | Lube Oil Pump..... | 39 |
| Balancers | 25 | Oil Dipstick Pipe | 38 |
| C. Case Cover, Front | 5 | Oil Filler | 37 |
| C. Case Cover, Rear | 6 | Oil Filter, Remote | 40 |
| Camshaft..... | 24 | Oil Level Dipstick..... | 37 |
| Connecting Rod | 21 | Oil Sump..... | 7 |
| Crankcase | 4 | Piston Assembly | 22 |
| Crankshaft Assembly..... | 20 | Power Take Off | 53 |
| Cylinder Block..... | 3 | Plumbing, Turbocharger..... | 18 |
| Cylinder Head..... | 11 | Rocker Shaft..... | 13 |
| Cylinder Head Plugs | 46, 47 | Shutdown Cylinder | 35 |
| Engine Breather | 10 | Starter Motor | 51 |
| Engine Oil Heat Exchanger..... | 41 | Tachometer Drive..... | 54 |
| Exhaust Manifold..... | 17 | Thermostat..... | 49 |
| Exhaust Manifold Mounting..... | 17 | Thermostat Housing | 48 |
| Flywheel..... | 9 | Throttle Cylinder | 35 |
| Flywheel Housing..... | 8 | Timing Parts | 24 |
| Flywheel Mounting..... | 9 | Turbocharger..... | 17 |
| Fuel Filter | 34 | Valve Cover..... | 12 |
| Fuel Filter Piping | 32 | Valve Grind Set | 2 |
| Fuel Filter - Return Lines..... | 33 | Vibration Damper..... | 23 |
| Fuel Injection Pump..... | 26 | Water Lines | 44 |
| Fuel Piping - LDA..... | 31 | Water Pipe | 43 |
| Fuel Pump | 30 | Water Pump..... | 42 |
| Injection Pump Drive | 27 | Water Pump Drive | 45 |
| Injector..... | 28 | Part Number Index..... | A-1 |
| Injector Pipes | 29 | | |

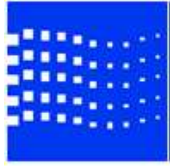


| Item | Part Number | Qty | Description |
|------|--------------|-----|--|
| 1 | M500-256-21 | 1 | Engine Complete (w/ Clark 20,000 Flywheel) |
| 2 | M353-510-01* | 1 | Valves Grind Set |

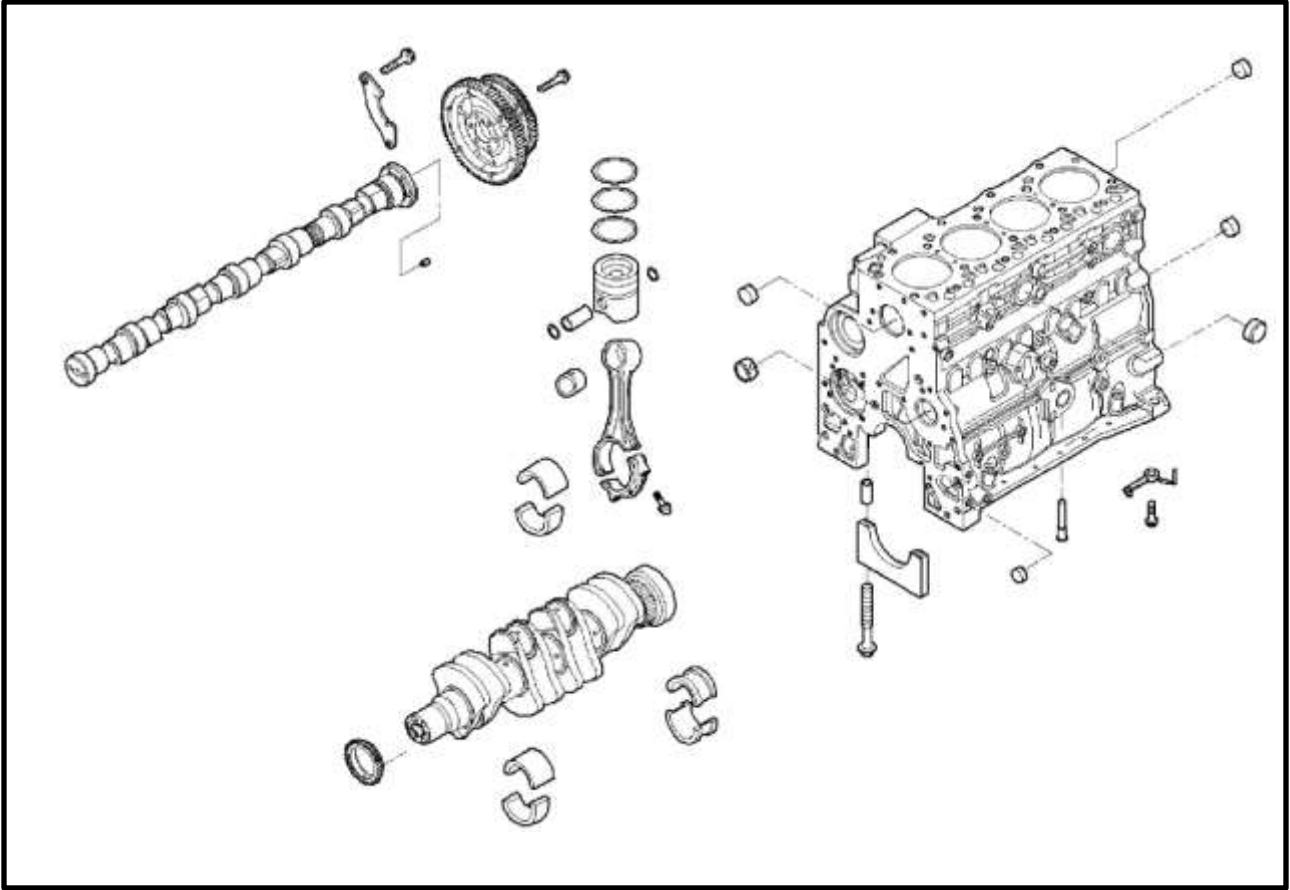
*Bill of Materials on follow up pages



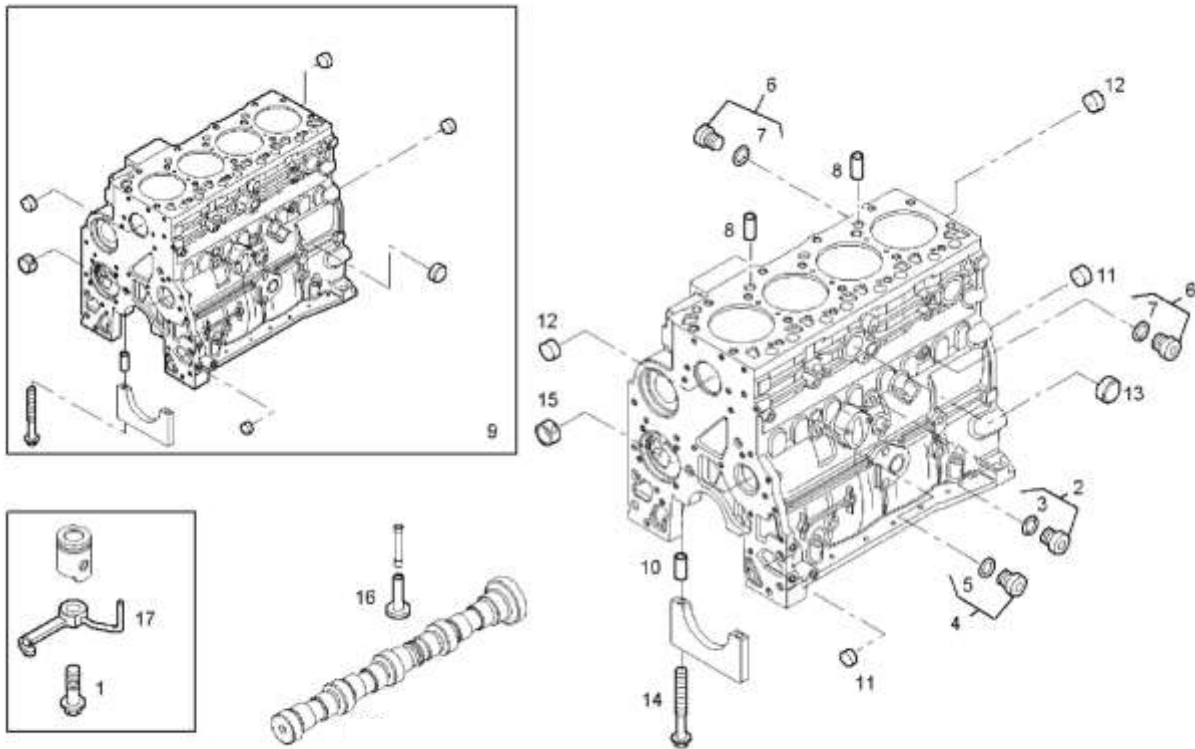
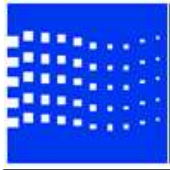
| Part Number | Qty | Description |
|--------------|-----|--------------------------|
| M353-505-01 | 1 | Cyl, Head Gasket |
| M353-510-13 | 1 | Gasket |
| M353-510-172 | 4 | Seal Gasket |
| M353-510-15 | 5 | Rubber Lug |
| M353-510-19 | 4 | Head Cover Gasket |
| M353-510-09 | 1 | Seal Gasket |
| M250-530-01 | 4 | Seal Washer |
| M353-205-01 | 1 | Gasket, Intake Cover |
| M354-510-01 | 1 | Gasket, Flame Arrestor |
| M354-208-25 | 1 | Gasket, Turbo |
| M354-209-20 | 4 | Gasket, Exhaust Manifold |
| M510-503-03 | 1 | O Ring |



Stripped Engine



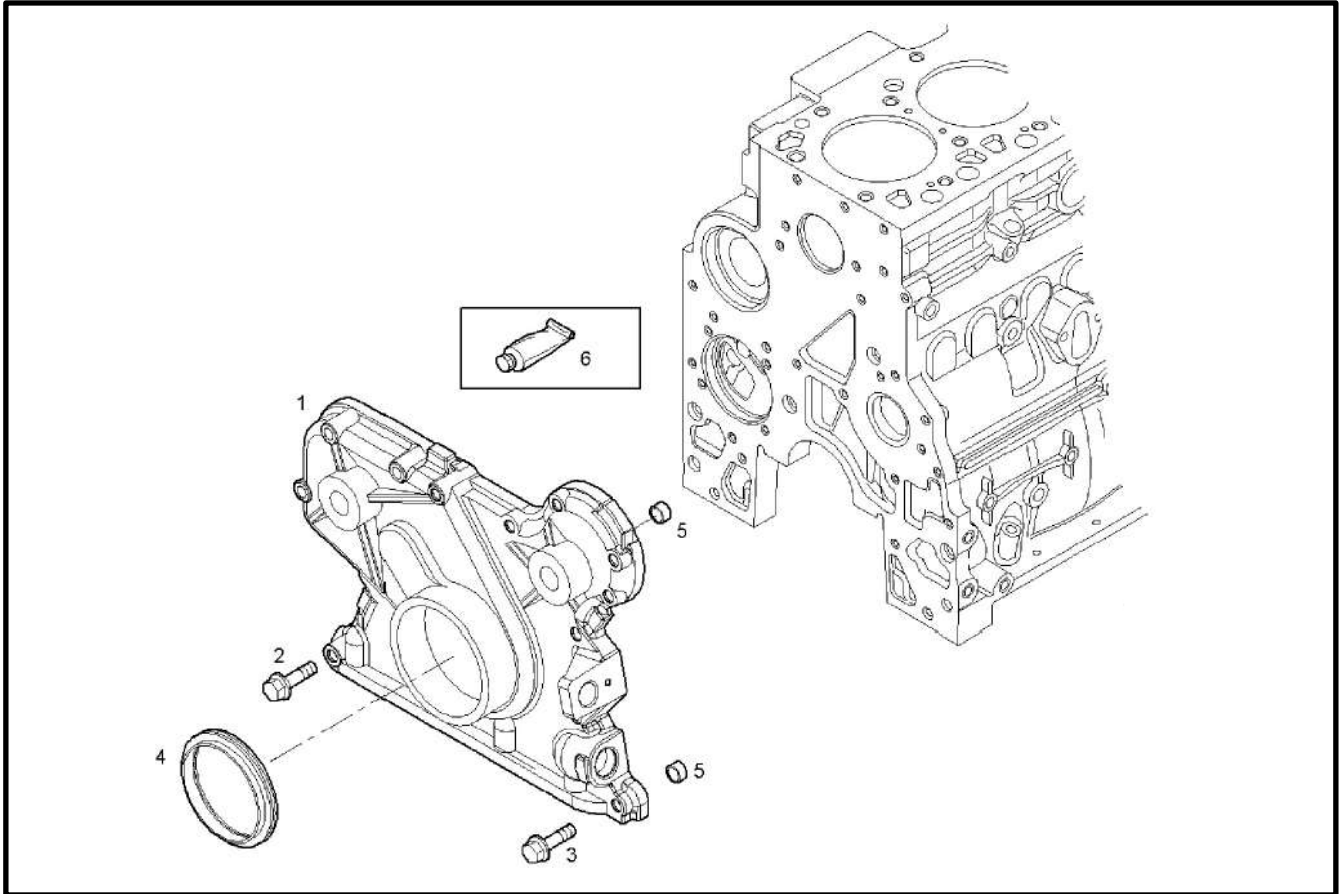
| Item | Part Number | Qty | Description |
|------|-------------|-----|-----------------|
| 1 | M353-510-40 | 1 | Stripped Engine |



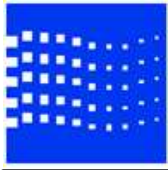
| Item | Part Number | Qty | Description |
|------|-------------|-----|--------------------------------|
| 1 | M353-510-41 | 4 | Screw Connector M8X1.25 |
| 2 | M353-510-42 | 1 | Plug Assembly M14X1,5 |
| 3 | M353-510-43 | 1 | O-Ring |
| 4 | M353-510-44 | 1 | Threaded Plug Assembly M10x1 |
| 5 | M353-510-45 | 1 | O-Ring |
| 6 | M353-510-46 | 2 | Threaded Plug Assembly M18x1,5 |
| 7 | M353-510-47 | 2 | O-Ring |
| 8 | M353-510-48 | 2 | Dowel Pin |
| 9 | M353-510-49 | 1 | Crankcase Assembly |
| 10 | M353-510-50 | 10 | Dowel Pin |
| 11 | M353-510-51 | 3 | Plug Ø17MM |
| 12 | M353-510-52 | 4 | Plug Ø58 MM |
| 13 | M353-510-53 | 2 | Plug Ø35 MM |
| 14 | M353-510-54 | 10 | Hexagon Bolt M12x120 MM |
| 15 | M353-510-55 | 1 | Camshaft Bearing |
| 16 | M353-510-56 | 8 | Lifter |
| 17 | M353-510-57 | 4 | Oil Nozzle Assembly |



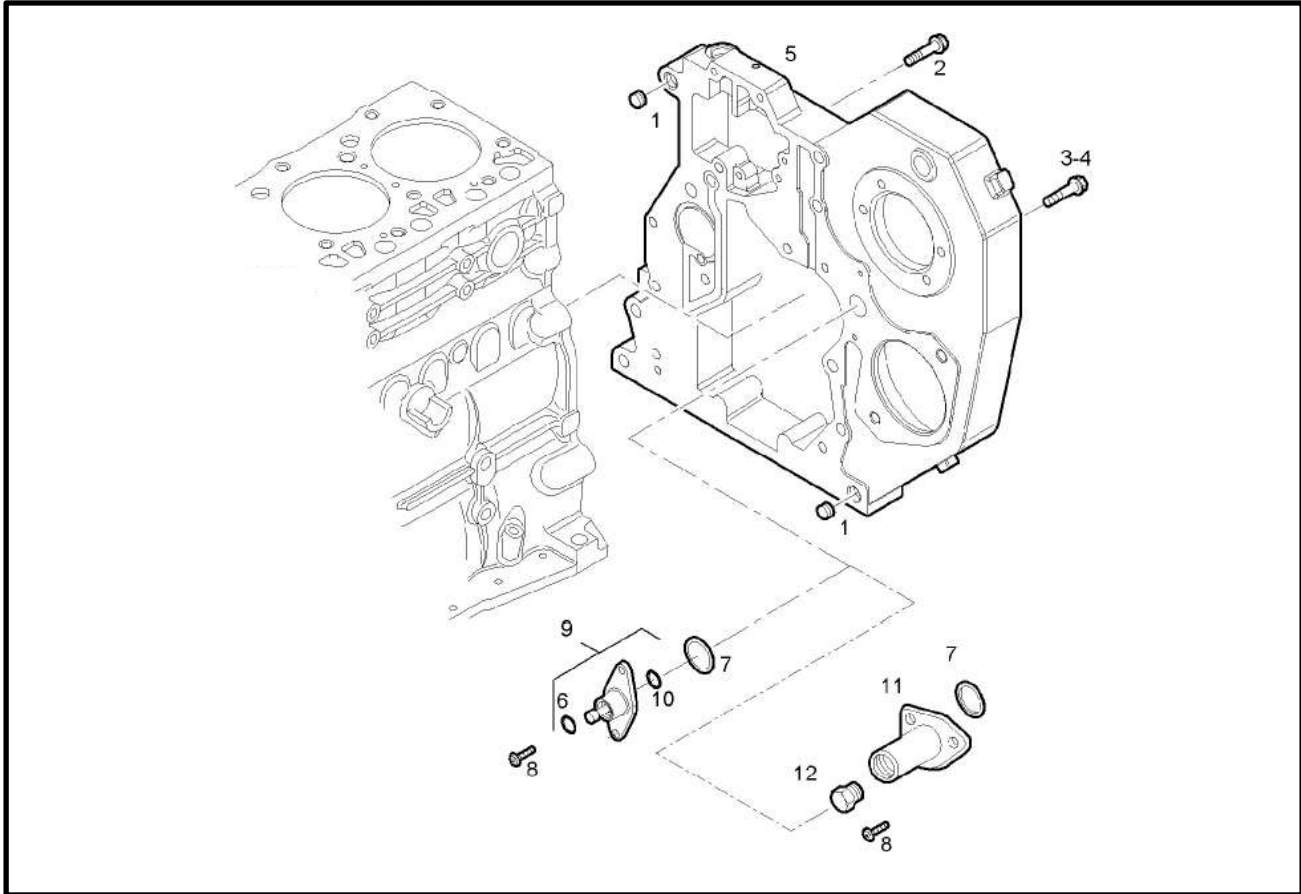
Front C. Case Cover



| Item | Part Number | Qty | Description |
|------|-------------|-----|-----------------------|
| 1 | M353-510-65 | 1 | Front C. Case Cover |
| 2 | M353-510-66 | 5 | Hexagon Bolt |
| 3 | M353-510-67 | 8 | Hexagon Bolt M8x30 MM |
| 4 | M353-510-06 | 1 | Shaft Seal |
| 5 | M353-510-68 | 2 | Dowel Pin |
| 6 | M353-510-69 | 1 | Sealant |



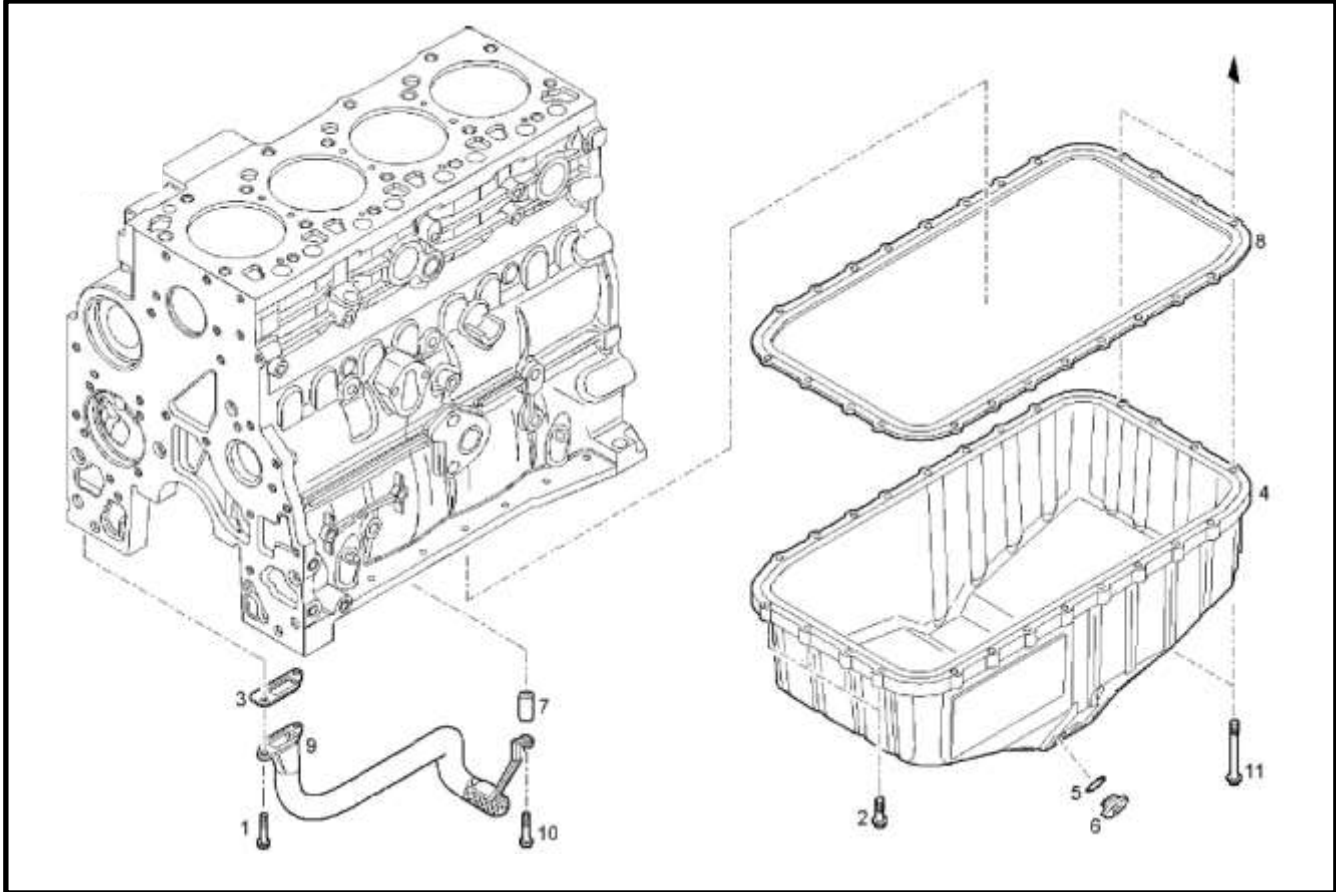
Rear C. Case Cover



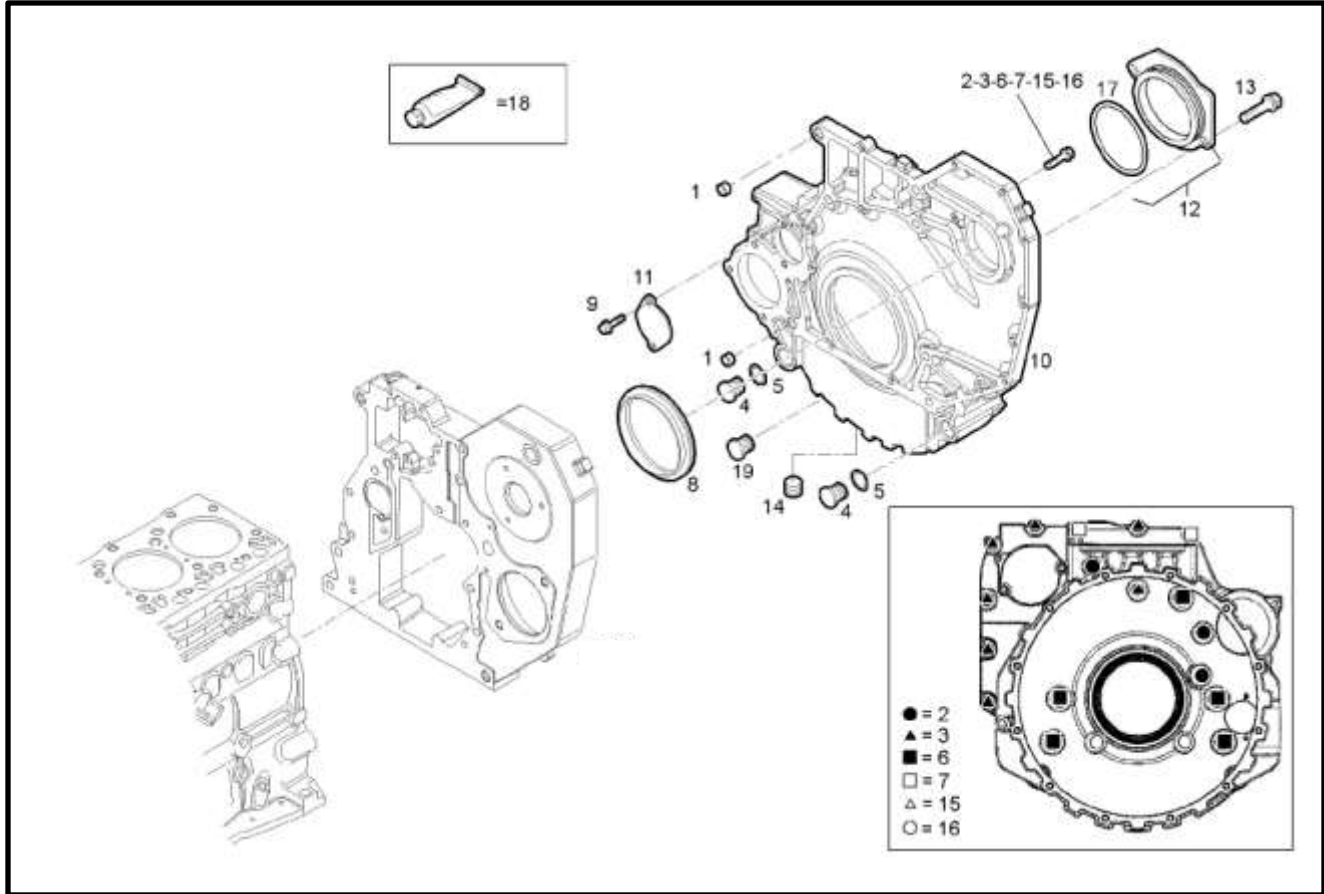
| Item | Part Number | Qty | Description |
|------|-------------|-----|------------------------------|
| 1 | M353-510-50 | 2 | Dowel Pin |
| 2 | M353-510-59 | 4 | Hexagon Bolt |
| 3 | M353-510-70 | 5 | Hexagon Bolt |
| 4 | M353-510-71 | 2 | Hexagon Bolt |
| 5 | M353-510-72 | 1 | Timing Gear Housing Assembly |
| 6 | M353-510-73 | 1 | Spring Lockwasher |
| 7 | M353-510-74 | 1 | O-Ring |
| 8 | M353-510-75 | 2 | Shear Screw M5x17 MM |
| 9 | M353-510-76 | 1 | Locking Plate Assembly |
| 10 | M353-510-77 | 1 | O-Ring |
| 11 | M353-510-78 | 1 | Locking Plate |
| 12 | M353-510-79 | 1 | Plug |



Oil Sump



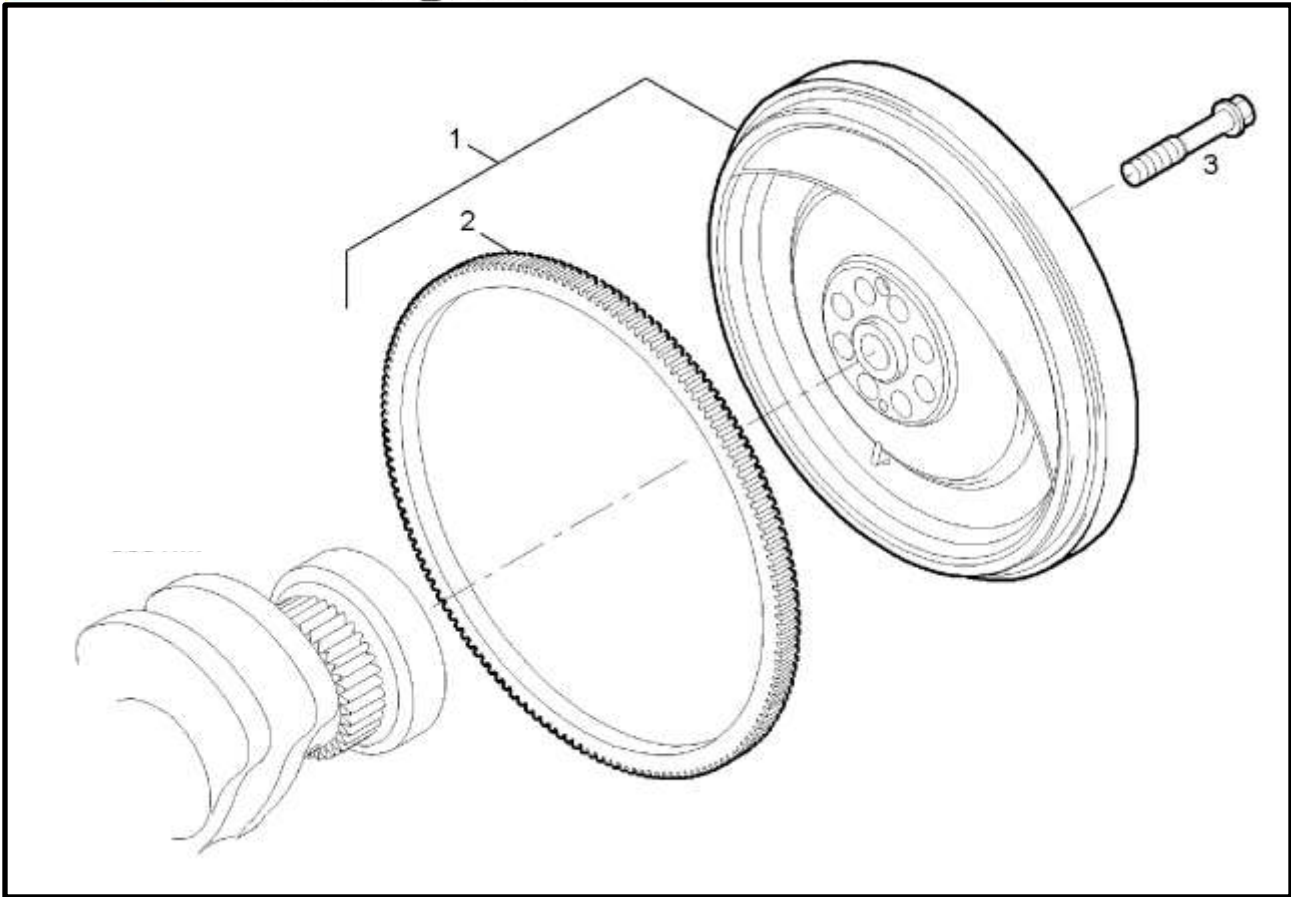
| Item | Part Number | Qty | Description |
|------|-------------|-----|-------------------------|
| 1 | M353-510-58 | 2 | Hexagon Bolt M8x20 MM |
| 2 | M353-510-59 | 22 | Hexagon Bolt |
| 3 | M353-510-02 | 1 | Engine Gasket |
| 4 | M353-510-05 | 1 | Oil Sump |
| 5 | M353-510-60 | 1 | O-Ring |
| 6 | M353-510-61 | 2 | Thread Plug M22x1 ,5 |
| 7 | M353-510-62 | 1 | Spacing Bar |
| 8 | M353-510-04 | 1 | Oil Sump Gasket |
| 9 | M353-510-03 | 1 | Suction Strainer |
| 10 | M353-510-63 | 1 | Hexagon Bolt M10x120 MM |
| 11 | M353-510-64 | 2 | Hexagon Bolt |



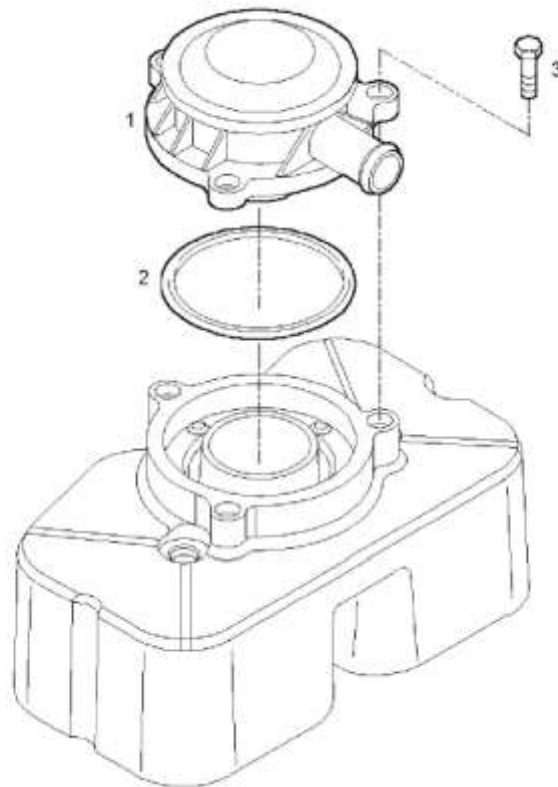
| Item | Part Number | Qty | Description |
|------|-------------|-----|------------------------------|
| 1 | M353-510-50 | 2 | Dowel Pin |
| 2 | M353-510-80 | 3 | Hexagon Bolt M10X1, 5X80 MM |
| 3 | M353-510-81 | 7 | Hexagon Bolt M10X1, 5X40 MM |
| 4 | M353-510-82 | 2 | Plug Ø29 MM |
| 5 | M353-510-83 | 2 | O-Ring 3, 53x21 ,81 |
| 6 | M353-510-84 | 5 | Hexagon Bolt M12X80 MM |
| 7 | M353-510-85 | 2 | Hexagon Bolt |
| 8 | M353-510-07 | 1 | Shaft Seal |
| 9 | M353-510-86 | 2 | Hexagon Bolt M8X17 MM |
| 10 | M353-510-87 | 1 | Flywheel Housing |
| 11 | M353-510-88 | 1 | Cover |
| 12 | M353-510-89 | 1 | Cover Assembly |
| 13 | M353-510-90 | 2 | Hexagon Bolt M8X1.25X20 |
| 14 | M353-510-91 | 1 | Threaded Plug |
| 15 | M353-510-92 | 1 | Hexagon Bolt |
| 16 | M353-510-93 | 2 | Hexagon Bolt M10X40MM |
| 17 | M353-510-08 | 1 | O-Ring Ø75,87 MM SP=2, 62 MM |
| 18 | M353-510-69 | 1 | Sealant |
| 19 | M353-510-94 | 1 | Threaded Plug |



Engine Flywheel



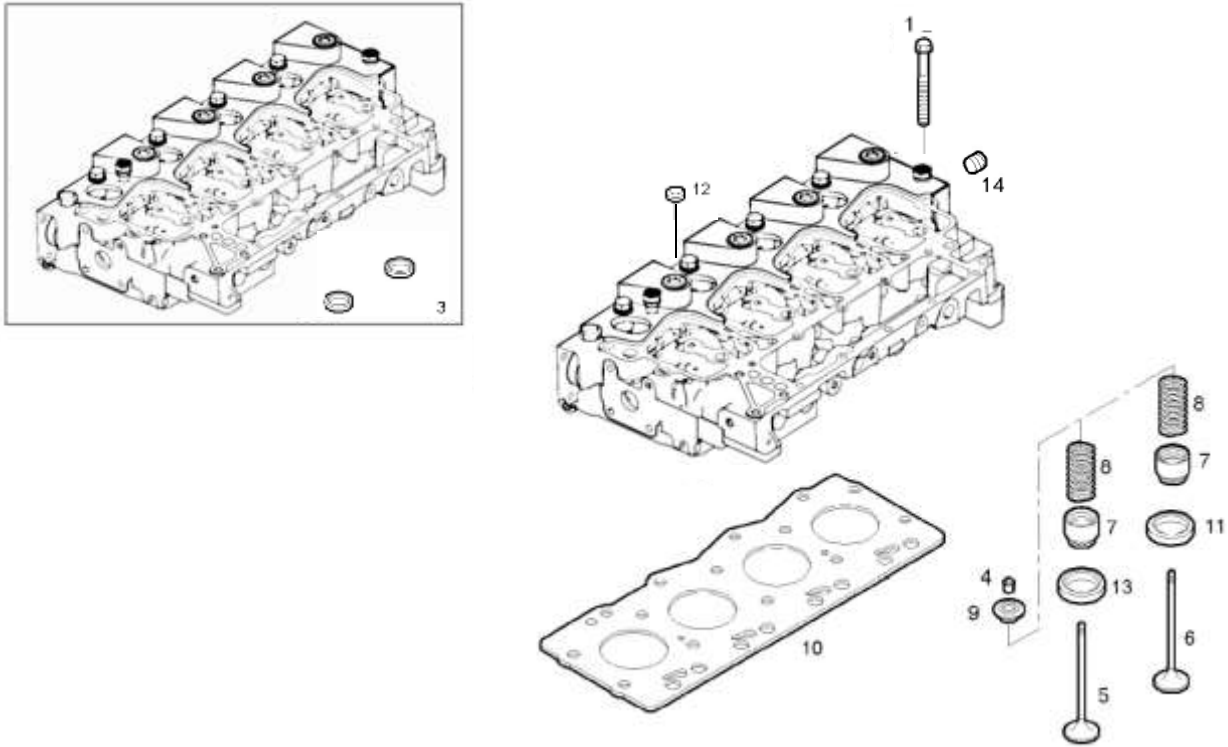
| Item | Part Number | Qty | Description |
|------|--------------|-----|---|
| 1 | M353-510-147 | 1 | Flywheel Assy Clark 20000 (on M500-256-11 engine) |
| 2 | M353-510-21 | 1 | Ring Gear |
| 3 | M353-510-148 | 8 | Hexagon Bolt M12x1 ,25 |



| Item | Part Number | Qty | Description |
|------|-------------|-----|--------------|
| 1 | M353-510-95 | 1 | Valve |
| 2 | M353-510-09 | 1 | Seal Gasket |
| 3 | M353-510-96 | 3 | Hexagon Bolt |



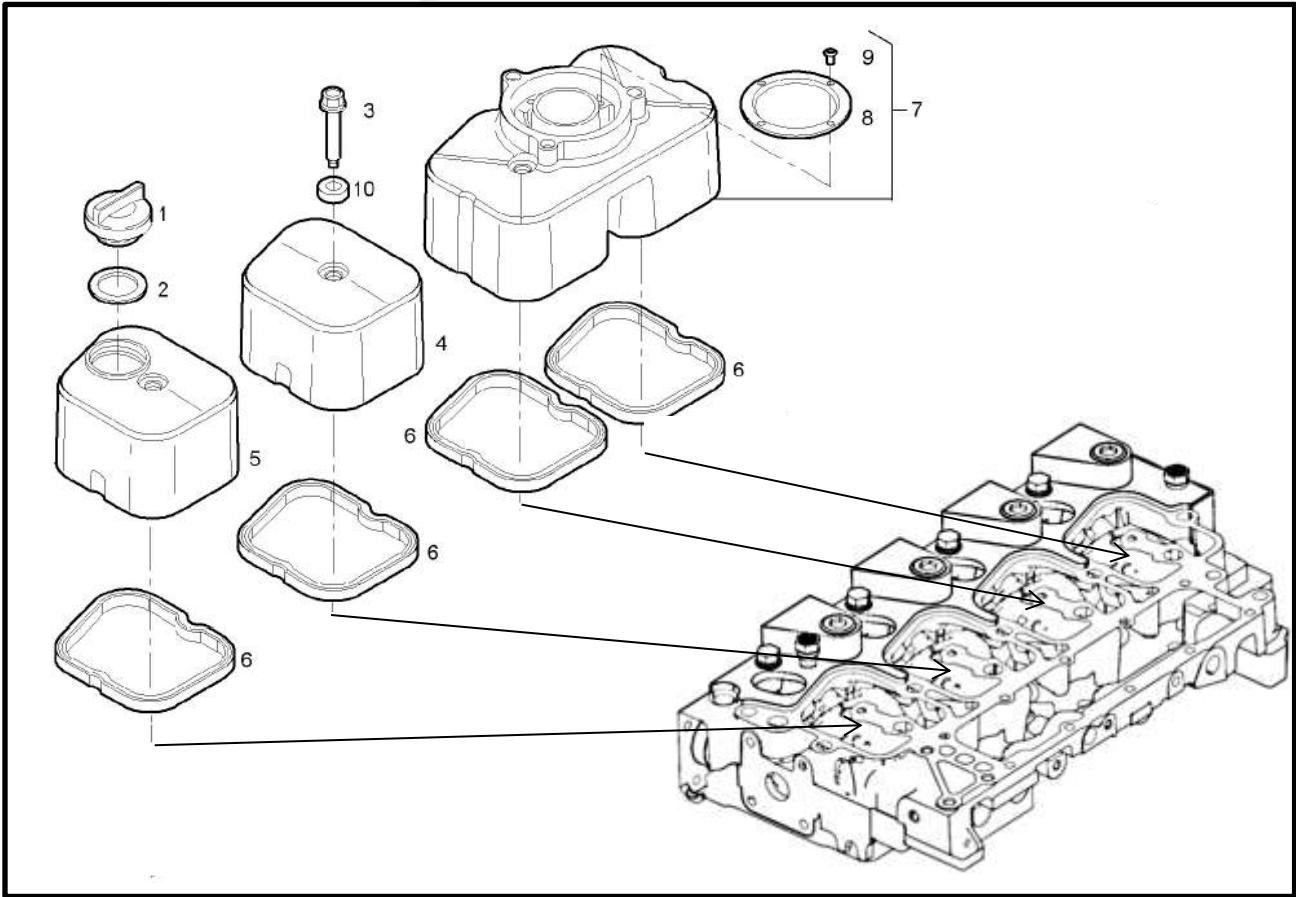
Cylinder Head



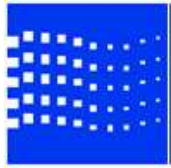
| Item | Part Number | Qty | Description |
|------|--------------|-----|-------------------------|
| 1 | M353-510-10 | 14 | Hexagon Bolt M12x140 |
| 3 | M353-207-01 | 1 | Complete Cylinder Head |
| 4 | M353-510-99 | 16 | Valve Cone |
| 5 | M353-510-100 | 4 | Exhaust Valve |
| 6 | M353-510-101 | 4 | Inlet Valve |
| 7 | M353-510-102 | 8 | Cap |
| 8 | M353-510-103 | 8 | Engine Valv.Spring |
| 9 | M353-510-104 | 8 | Spring Cap |
| 10 | M353-505-01 | 1 | Cyl. Head Gasket |
| 11 | M353-510-105 | 4 | Valve Seat Std. Exhaust |
| 12 | M353-510-106 | 3 | Lock Plug |
| 13 | M353-510-107 | 4 | Valve Seat Std. Intake |
| 14 | M353-510-108 | 1 | Plug |



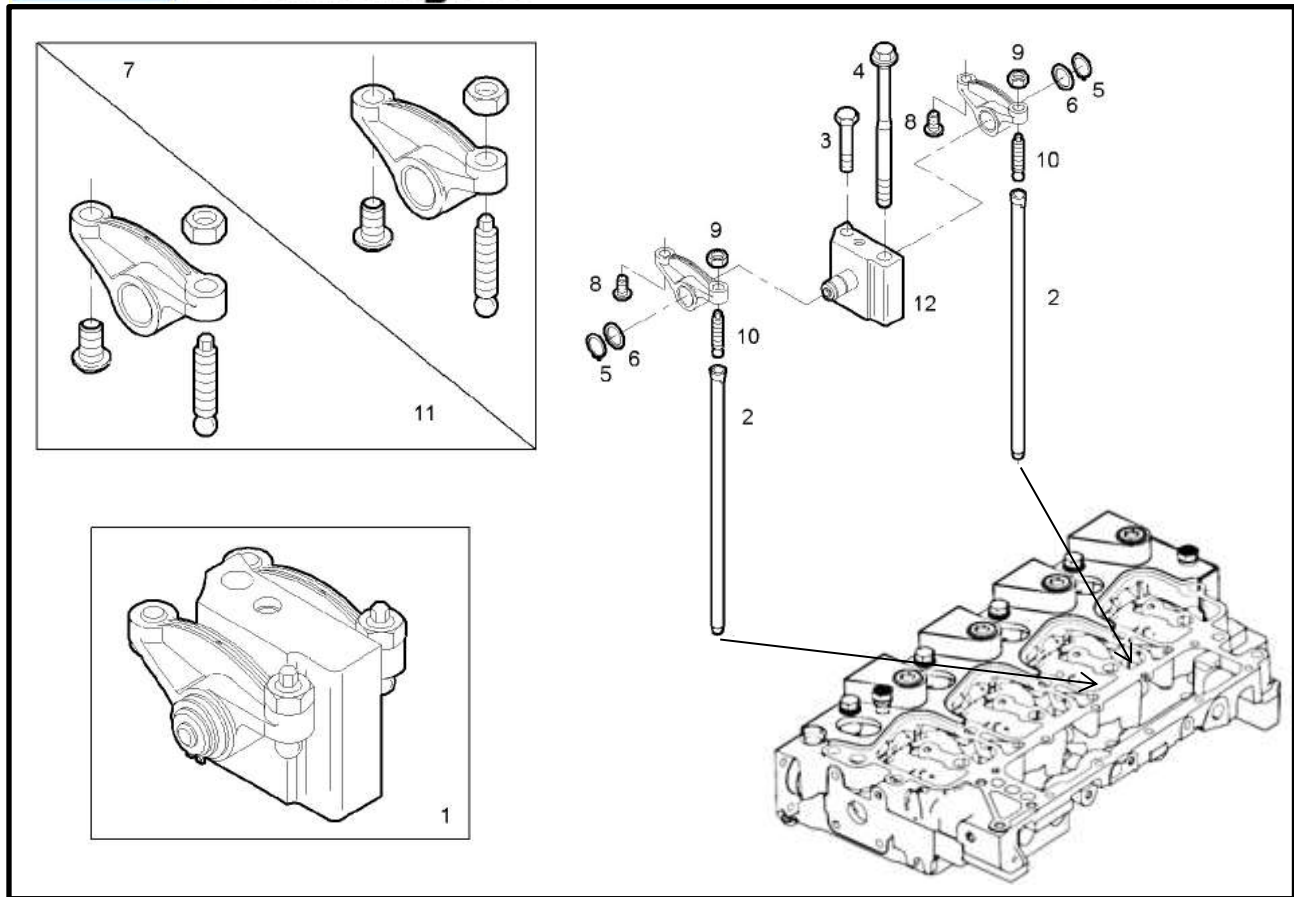
Cylinder Head Covers



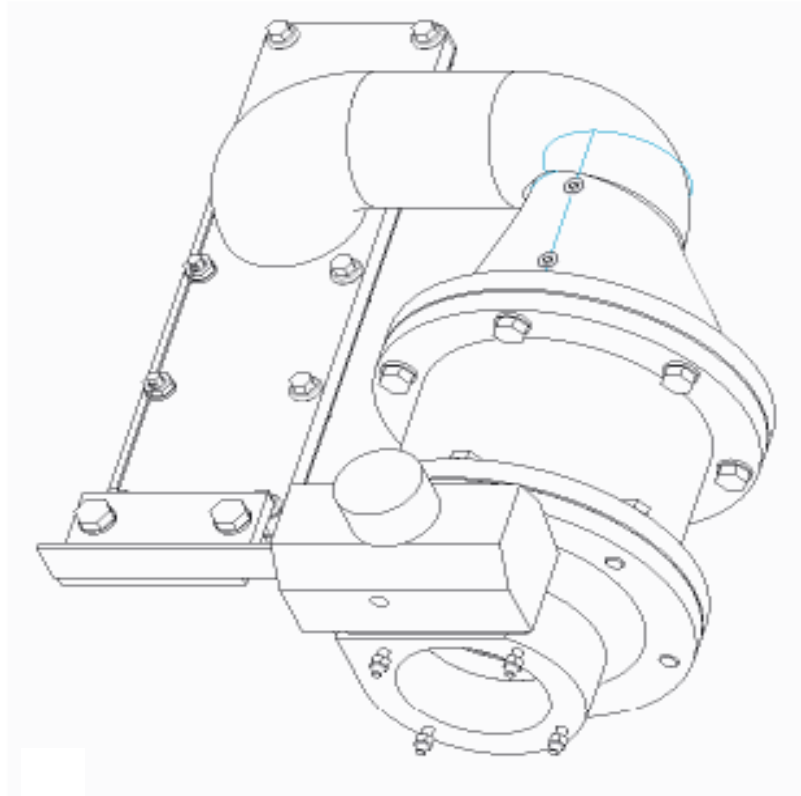
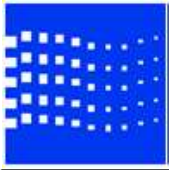
| Item | Part Number | Qty | Description |
|------|--------------|-----|-----------------------|
| 1 | M353-510-12 | 1 | Oil Filler Plug |
| 2 | M353-510-13 | 1 | Seal Gasket |
| 3 | M353-510-14 | 4 | Hexagon Bolt M8X1 ,25 |
| 4 | M353-510-16 | 1 | Cyl. Head Cover |
| 5 | M353-510-17 | 1 | Cyl. Head Cover |
| 6 | M353-510-19 | 4 | Head Cover Gasket |
| 7 | M353-510-18 | 1 | Cyl. Head Cover |
| 8 | M353-510-109 | 1 | Centering Ring |
| 9 | M353-510-110 | 4 | Screw |
| 10 | M353-510-15 | 4 | Rubber Lug |



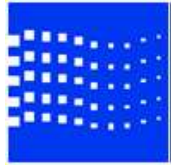
Rocker Shaft



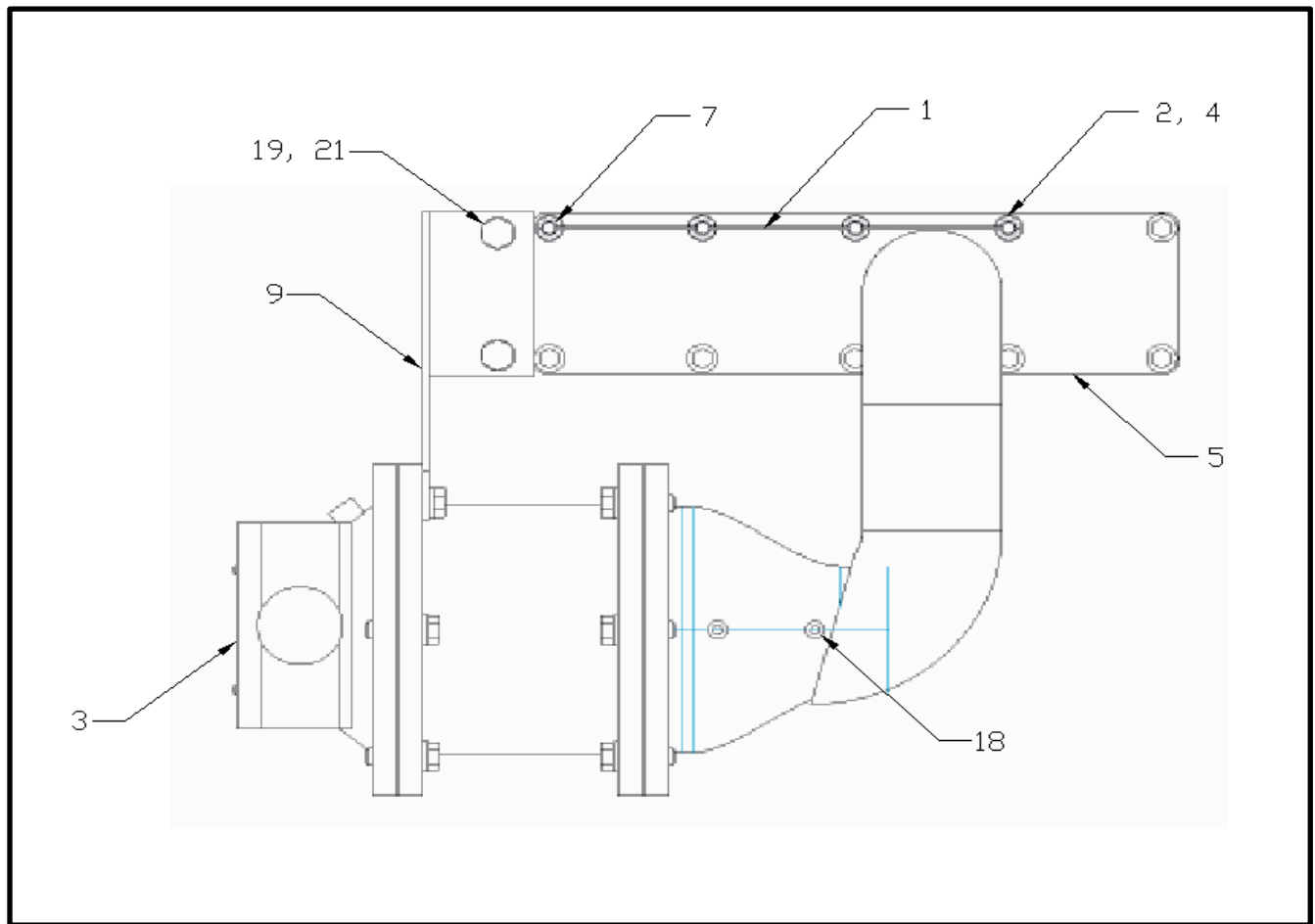
| Item | Part Number | Qty | Description |
|------|--------------|-----|-----------------------------|
| 1 | M353-510-111 | 4 | Rocker Shaft Assy |
| 2 | M353-510-112 | 8 | Pushrod |
| 3 | M353-510-113 | 4 | Hexagon Bolt M8X1 ,25X60 MM |
| 4 | M353-510-20 | 4 | Hexagon Bolt M12X1 ,75 |
| 5 | M353-510-114 | 8 | Circlip |
| 6 | M353-510-115 | 8 | Washer |
| 7 | M353-510-116 | 4 | Rocker Arm Assy |
| 8 | M353-510-117 | 8 | Ball-End Pin |
| 9 | M353-510-118 | 8 | Hexagon Nut |
| 10 | M353-510-119 | 8 | Rocker Arm Screw |
| 11 | M353-510-120 | 4 | Rocker Arm Assy |
| 12 | M353-510-121 | 4 | Rocker Bracket |



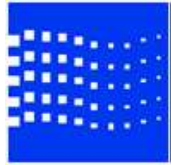
| Item | Part Number | Qty | Description |
|------|-------------|-----|-----------------|
| | M354-237-02 | 1 | Intake Assembly |



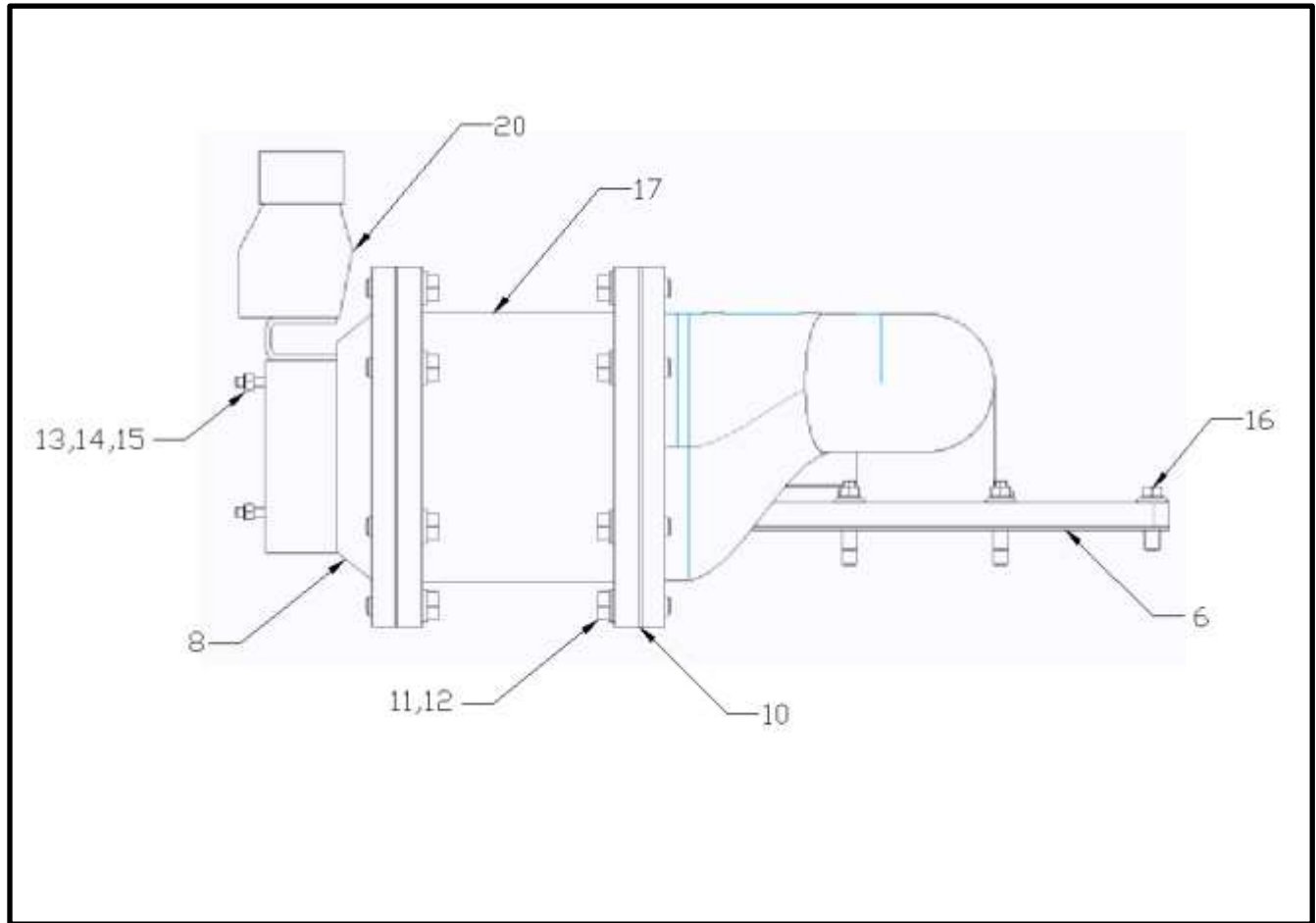
Intake Assembly – Part A



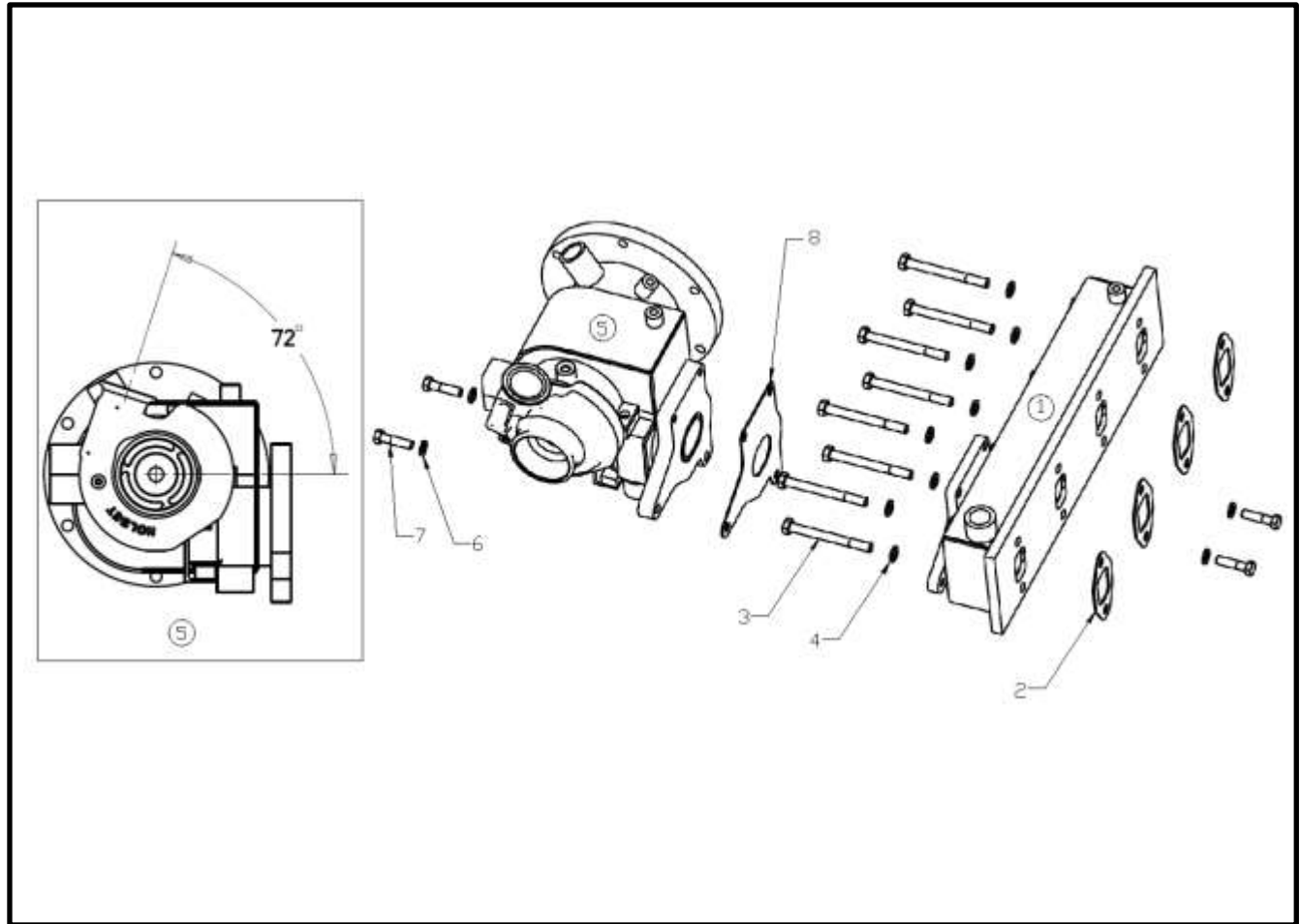
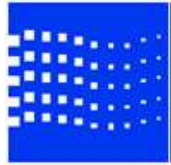
| <u>Item</u> | <u>Part Number</u> | <u>Qty</u> | <u>Description</u> |
|-------------|--------------------|------------|--|
| 1 | M510-542-01 | 1 | Lock Wire 3 Feet |
| 2 | M150-530-01 | 6 | Washer, M8 Lock |
| 3 | M250-544-01 | 1 | Valve, Diesel Engine Shutdown |
| 4 | M250-564-01 | 4 | Nut, M8 – 1.25P |
| 5 | M353-201-02 | 1 | Cover, Intake |
| 7 | M353-206-01 | 4 | Stud, Intake Cover |
| 9 | M354-234-02 | 1 | Bracket, Support – Intake Flame Arrestor |
| 18 | M600-508-01 | 2 | Plug, 1/8" Hex Socket Pipe |
| 19 | M354-235-01 | 2 | Spacer |
| 21 | M600-168-01 | 2 | Bolt, M8 x 1.25 x 40mm HHCS |



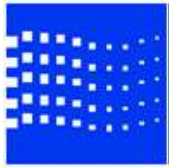
Intake Assembly – Part B



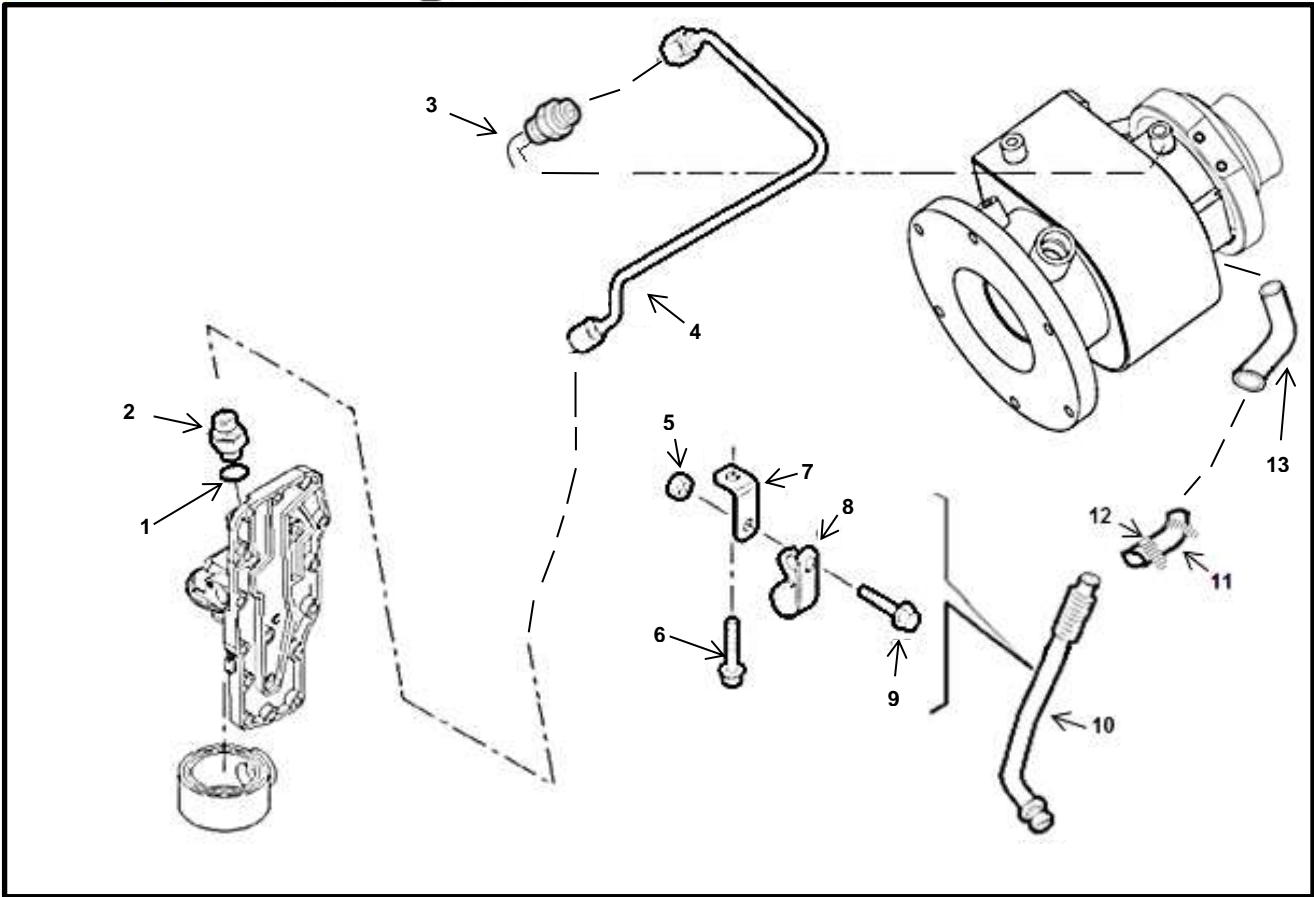
| <u>Item</u> | <u>Part Number</u> | <u>Qty</u> | <u>Description</u> |
|-------------|--------------------|------------|--|
| 6 | M353-205-01 | 1 | Gasket, Intake Cover – FPT N45 |
| 8 | M354-228-01 | 1 | Adapter Asembly, Intake |
| 10 | M354-510-01 | 2 | Gasket, 5" Flame Arrestor |
| 11 | M600-123-01 | 14 | Washer, 3/8" Lock |
| 12 | M600-124-01 | 14 | Bolt, 3/8" -16 x 1.25 HHCS |
| 13 | M600-154-01 | 4 | Stud, <5 x 0.8P x 60mm Grade 8.8 |
| 14 | M600-155-01 | 4 | Nut, M5 x 0.8P |
| 15 | M600-156-01 | 4 | Washer, M5 Lock |
| 16 | M600-162-01 | 6 | Capscrew, M8 x 1.25 x 25mm Flange Head |
| 17 | M98-501-11 | 1 | Flame Arrestor, 5" – 0.038" |
| 20 | M600-842-01 | 1 | Male Connector |



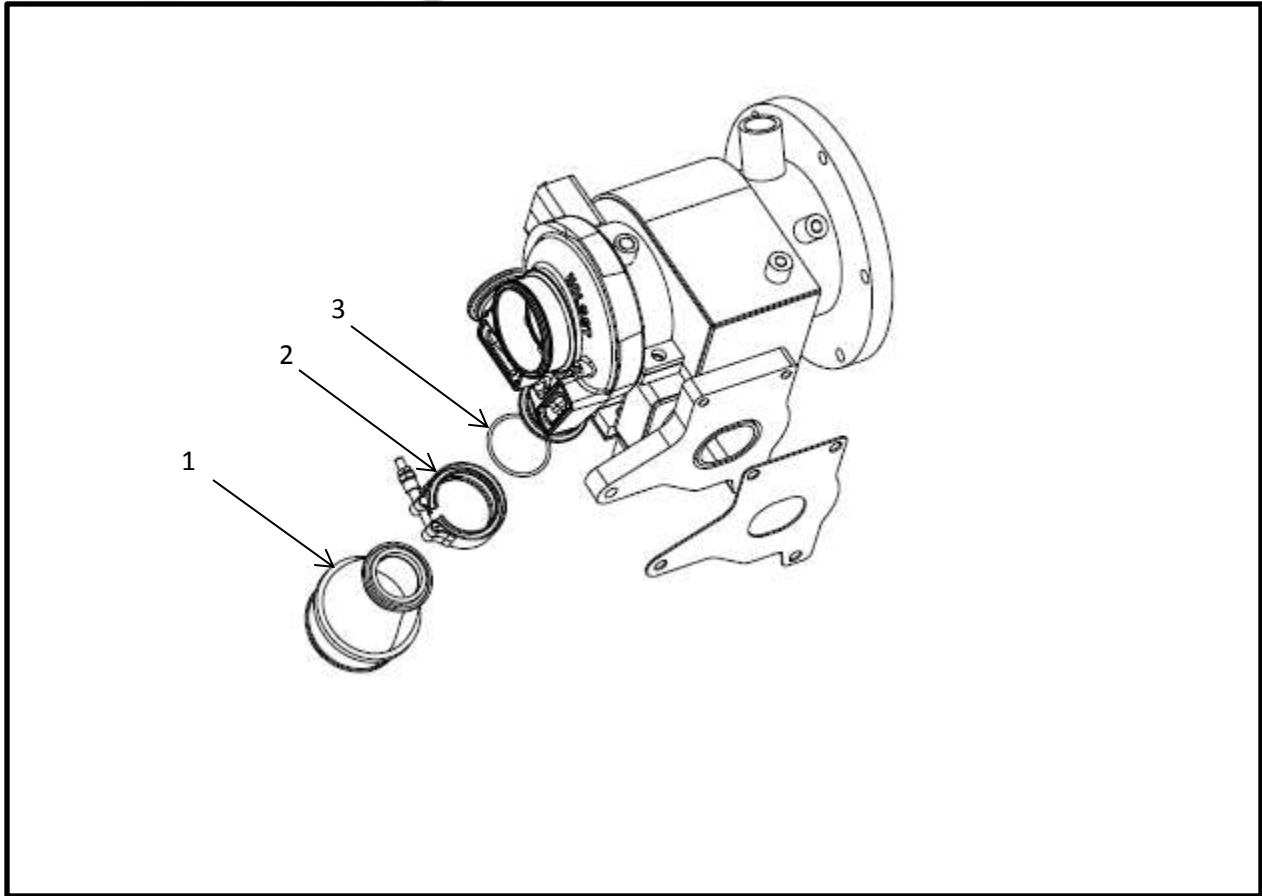
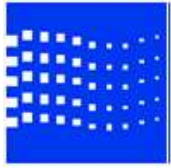
| <u>Item</u> | <u>Part Number</u> | <u>Qty</u> | <u>Description</u> |
|-------------|--------------------|------------|----------------------------|
| 1 | M354-209-01 | 1 | Manifold |
| 2 | M354-209-20 | 4 | Gasket, Exhaust Manifold |
| 3 | M600-150-01 | 8 | Bolt, M10 x 1.5 x 100 HHCS |
| 4 | M600-134-01 | 8 | Washer, M10 Lock |
| 5 | M354-208-03 | 1 | Turbocharger – 72 degree |
| 6 | M600-123-01 | 4 | Washer, 3/8 Lock |
| 7 | M600-124-01 | 4 | Bolt, 3/8-16 x 1.25 HHCS |
| 8 | M354-208-25 | 1 | Gasket, Turbo |



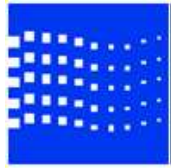
Turbocharger Oil Lines



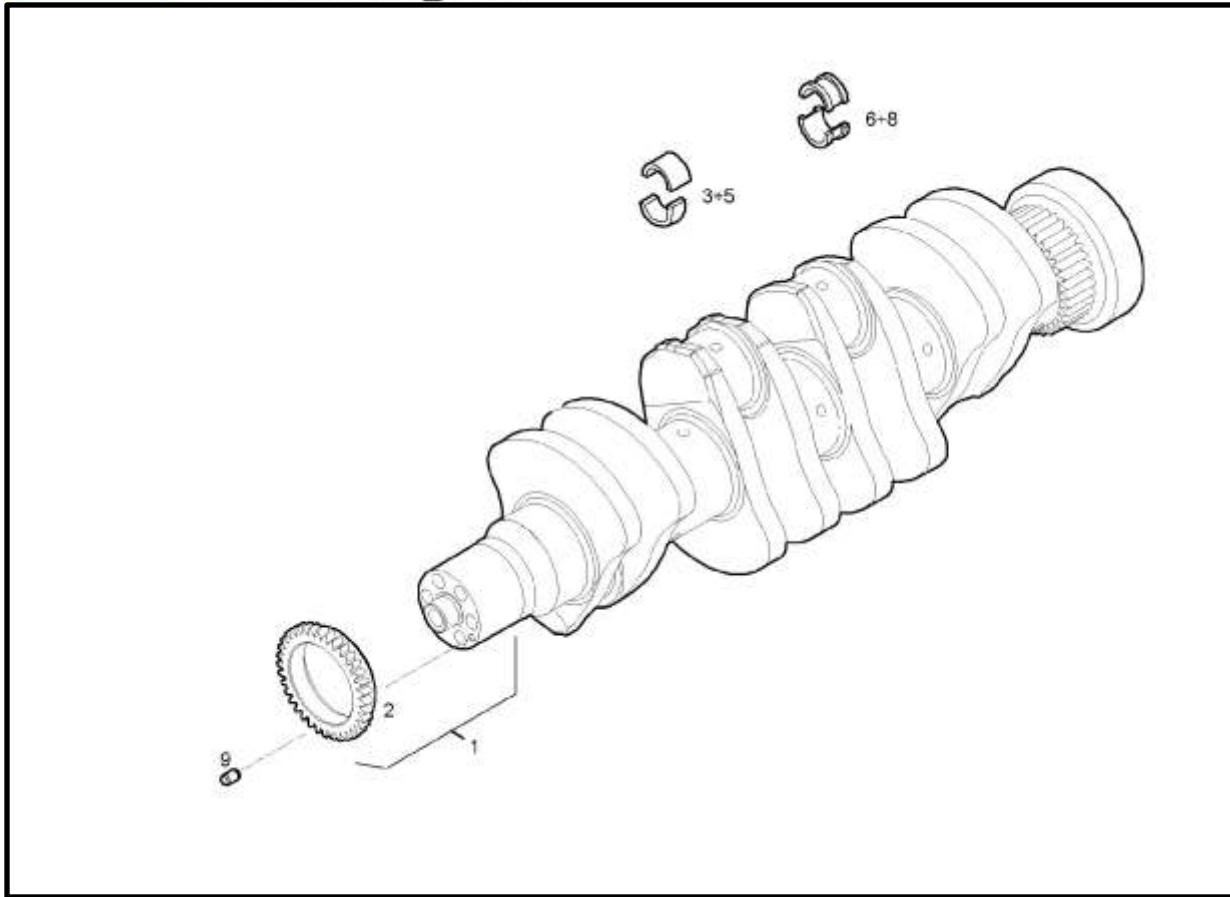
| Item | Part Number | Qty | Description |
|------|--------------|------|------------------------------|
| 1 | M510-520-02 | 1 | Seal Washer |
| 2 | M510-520-01 | 1 | Adapter |
| 3 | M510-516-01 | 1 | Elbow |
| 4 | M354-270-01 | 1 | Tube Assembly |
| 5 | M600-193-01 | 2 | Hexagon Nut 1/4 - 20 |
| 6 | M600-192-01 | 1 | Hexagon Bolt M12x20 mm |
| 7 | M354-257-01 | 1 | Fastening Bracket |
| 8 | M353-510-213 | 1 | Bracket |
| 9 | M600-191-01 | 2 | Hexagon Bolt 1/4 - 20 x 1/2" |
| 10 | M353-510-260 | 1 | Oil Line |
| 11 | M600-734-01 | 2 ft | Hose |
| 12 | M600-730-01 | 2 | Hose Clamp |
| 13 | M601-519-01 | 1 | Elbow, 45° |



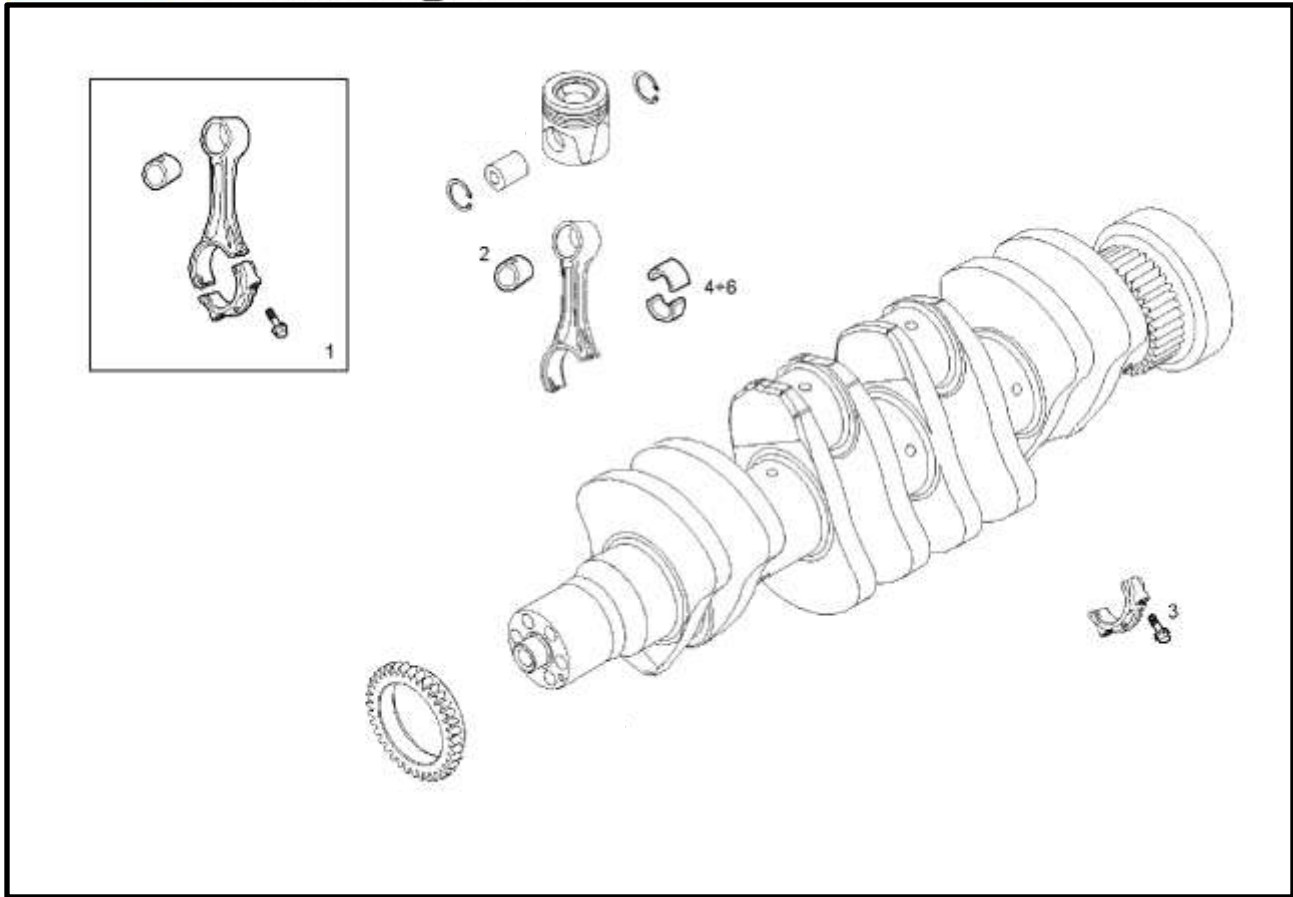
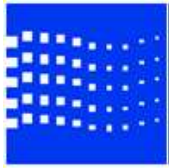
| Item | Part Number | Qty | Description |
|------|-------------|-----|-------------------|
| 1 | M510-503-01 | 1 | Air Transfer Pipe |
| 2 | M510-503-02 | 1 | V Band Clamp |
| 3 | M510-503-03 | 1 | O-Ring Seal |



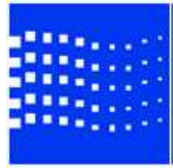
Crankshaft



| Item | Part Number | Qty | Description |
|------|--------------|-----|---------------------------|
| 1 | M353-510-125 | 1 | Crankshaft |
| 2 | M353-510-126 | 1 | Camshaft Pinion |
| 3 | M353-510-127 | 4 | Main Bearing STD. |
| 4 | M353-510-128 | 4 | Main Bearing-0,250 |
| 5 | M353-510-129 | 4 | Main Bearing-0,500 |
| 6 | M353-510-130 | 1 | Main Bearing-0,250 Thrust |
| 7 | M353-510-131 | 1 | Main Bearing STD. Thrust |
| 8 | M353-510-132 | 1 | Main Bearing-0,500 Thrust |
| 9 | M353-510-133 | 1 | Dowel Pin |

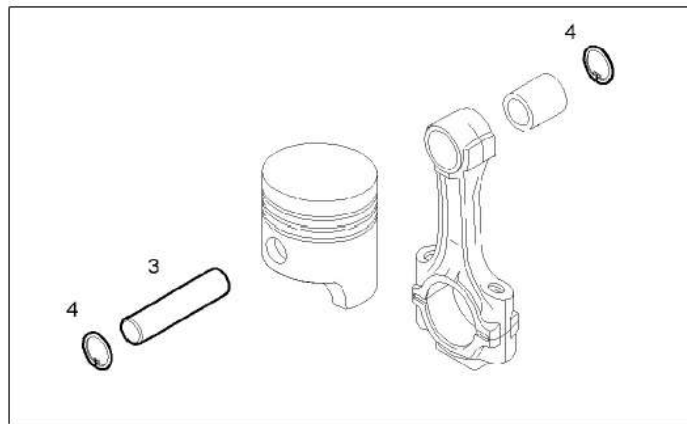
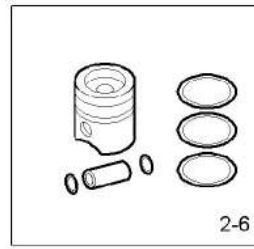
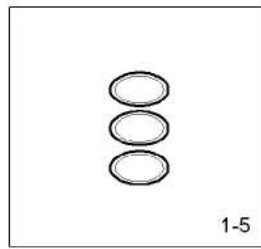


| Item | Part Number | Qty | Description |
|------|--------------|-----|---------------------|
| 1 | M353-510-134 | 4 | Conn.Rod Assy. Assy |
| 2 | M353-510-135 | 4 | Big-End Bush |
| 3 | M353-510-136 | 8 | Cylind-Head Screw |
| 4 | M353-510-137 | 4 | Con.Rod Bear STD. |
| 5 | M353-510-138 | 4 | Con.Rod Bear-0,250 |
| 6 | M353-510-139 | 4 | Con.Rod Bear-0,500 |

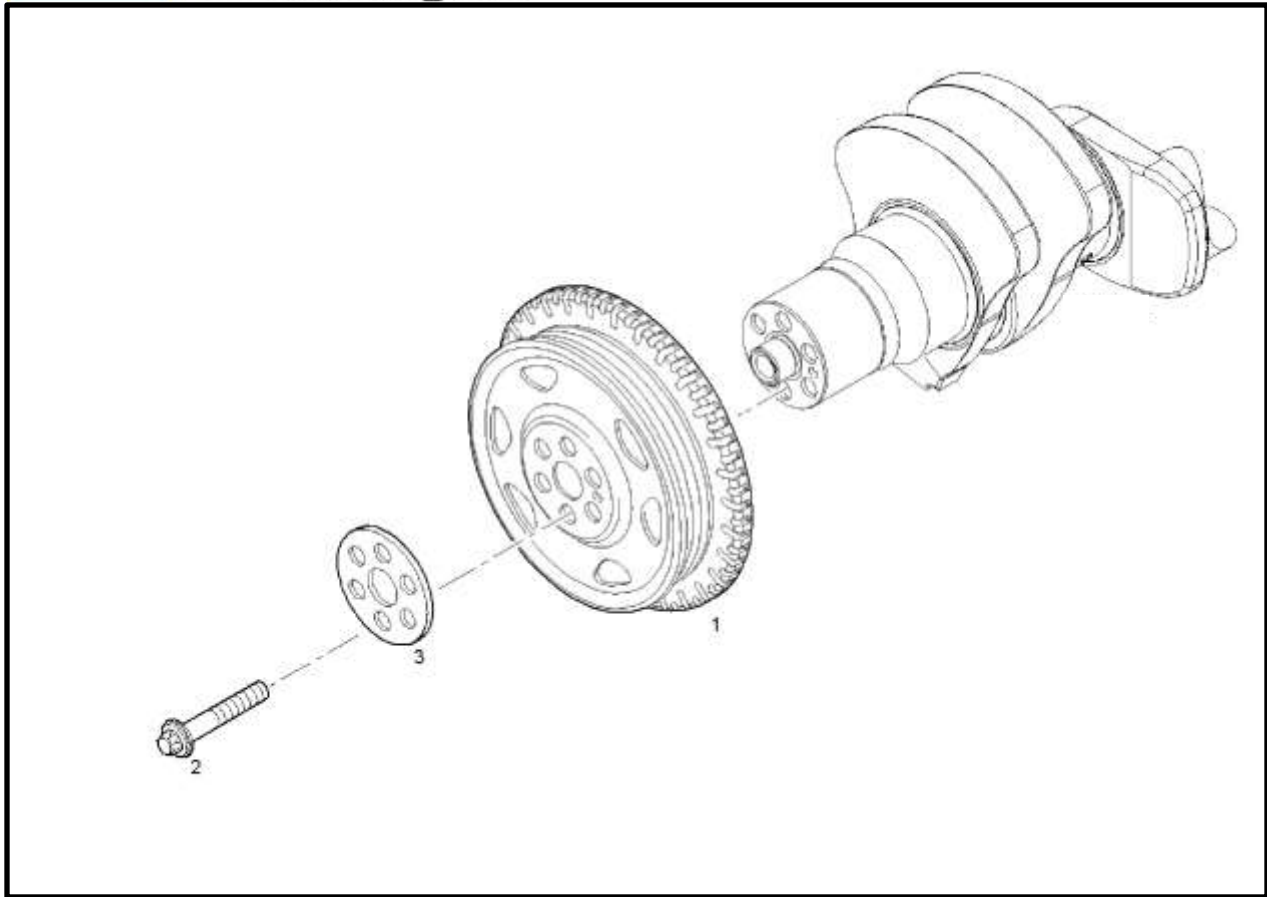
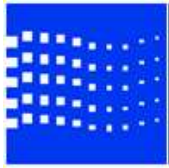


Dry Systems[®]
Technologies

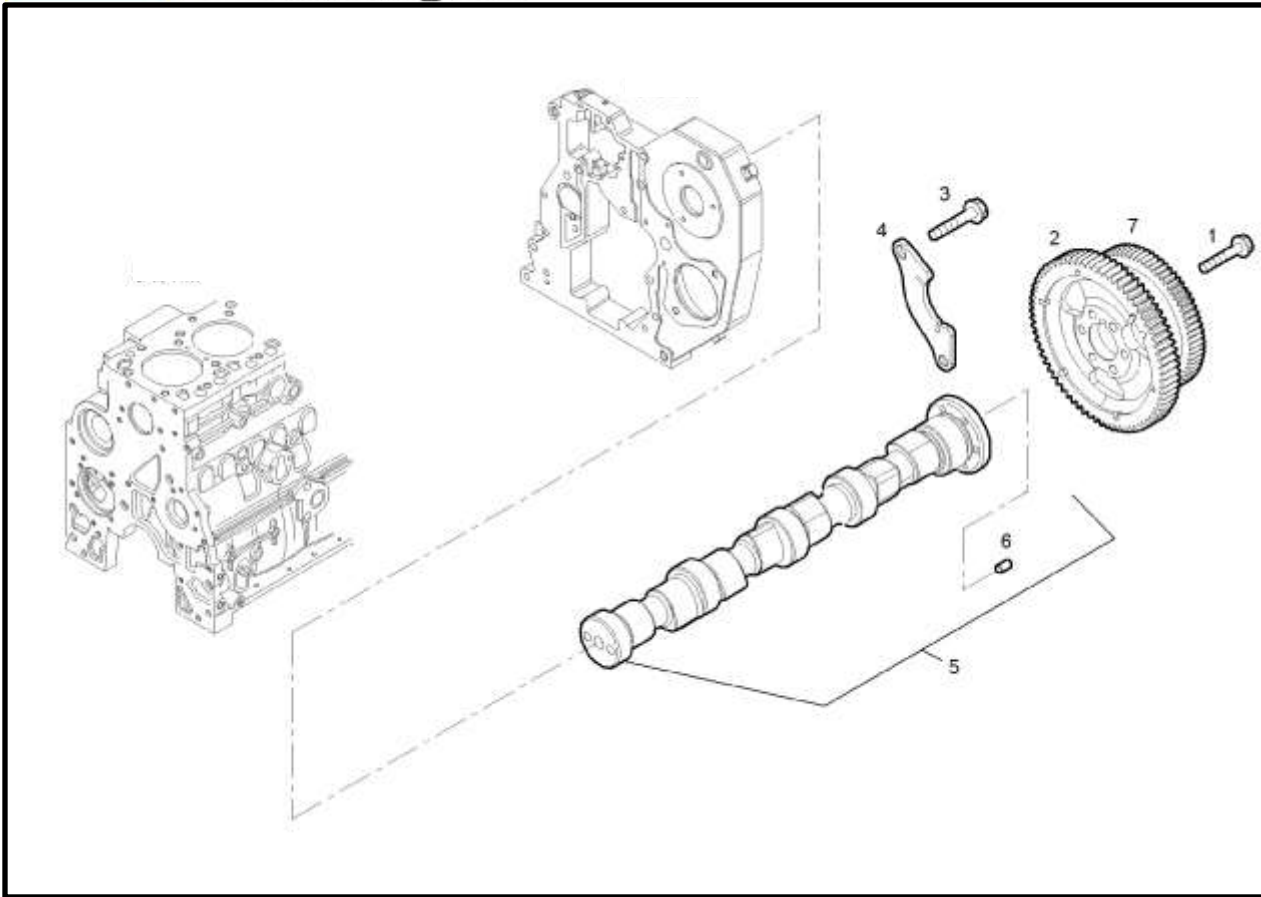
Piston Assy – Piston Rings- Piston Pin



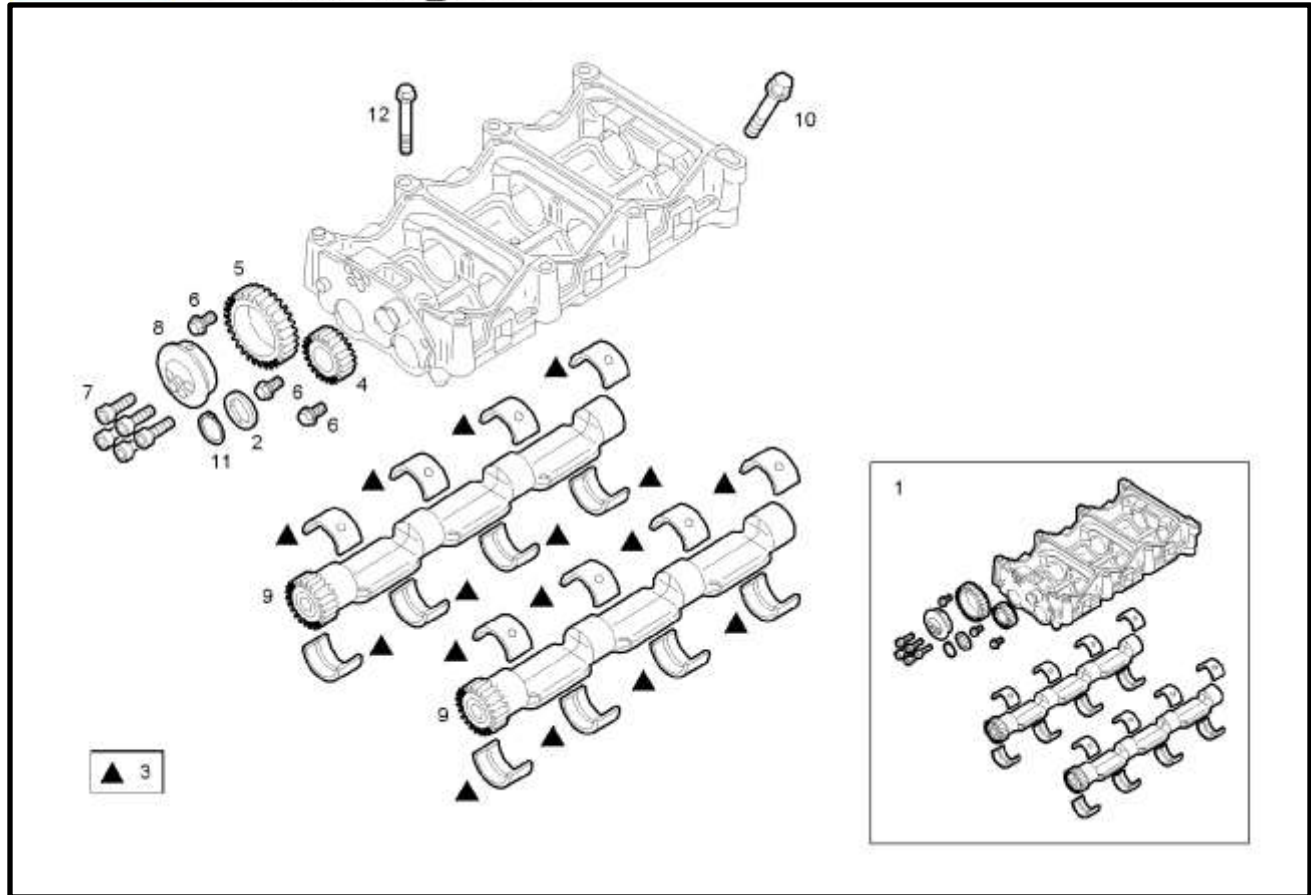
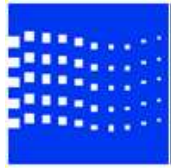
| Item | Part Number | Qty | Description |
|------|--------------|-----|----------------------|
| 1 | M353-510-140 | 4 | Piston Ring Set STD |
| 2 | M353-510-141 | 4 | Piston Assy |
| 3 | M353-510-142 | 4 | Piston Pin |
| 4 | M353-510-143 | 8 | Spring Lockwasher |
| 5 | M353-510-144 | 4 | Piston Ring Set +0.4 |
| 6 | M353-510-145 | 4 | Piston Assy. +0.4 |



| Item | Part Number | Qty | Description |
|------|--------------|-----|-------------------|
| 1 | M353-510-149 | 1 | Crankshaft pulley |
| 2 | M353-510-150 | 6 | Screw M12x1 ,5 |
| 3 | M353-510-151 | 1 | Spacing Bar |



| Item | Part Number | Qty | Description |
|------|--------------|-----|-----------------------|
| 1 | M353-510-163 | 6 | Hexagon Bolt |
| 2 | M353-510-164 | 1 | Camshaft Pinion |
| 3 | M353-510-86 | 2 | Hexagon Bolt M8x17 MM |
| 4 | M353-510-165 | 1 | Yoke |
| 5 | M353-510-166 | 1 | Camshaft Assy |
| 6 | M353-510-167 | 1 | Dowel Pin |
| 7 | M353-510-168 | 1 | Camshaft Pinion |

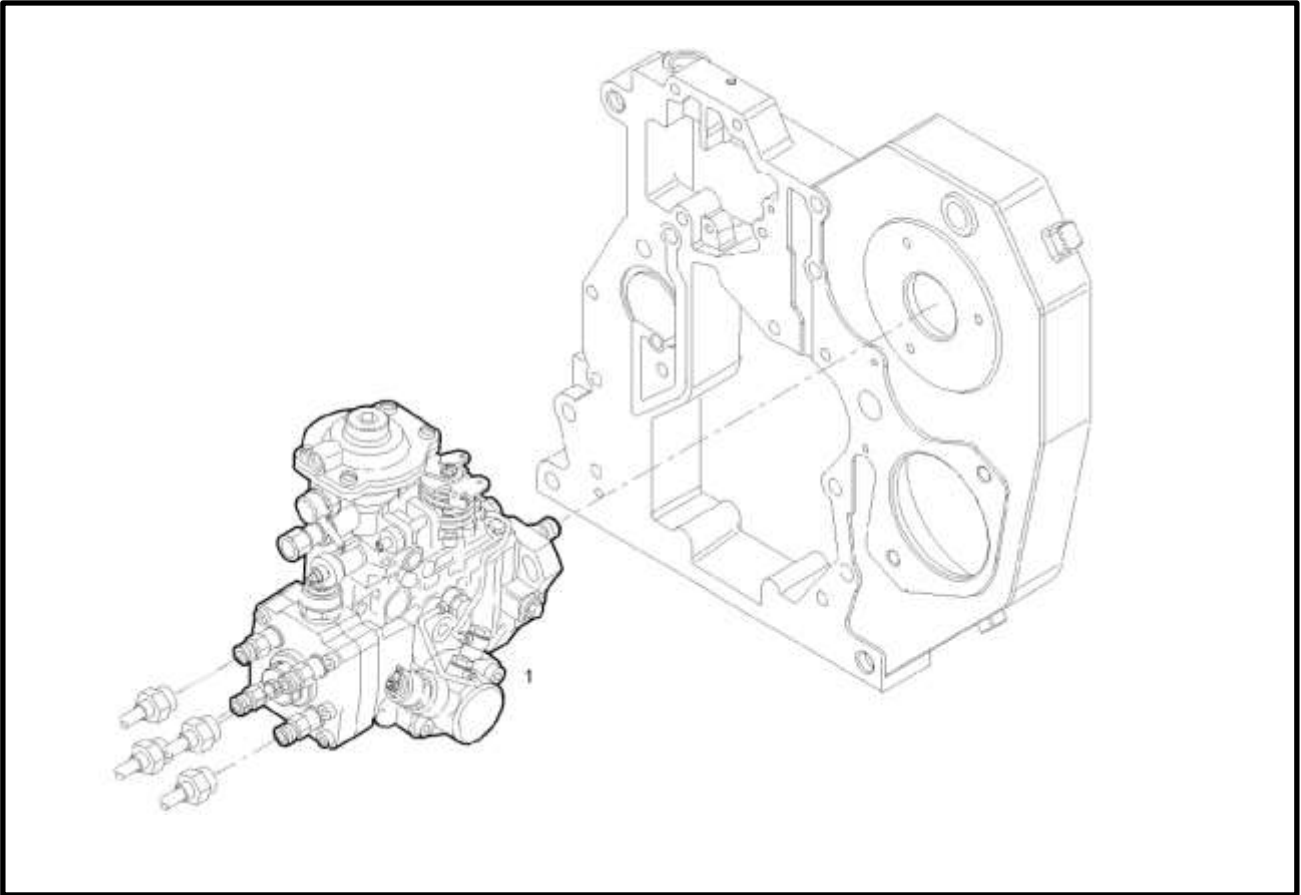


| Item | Part Number | Qty | Description |
|------|--------------|-----|-----------------------------|
| 1 | M353-510-152 | 1 | Support Assy |
| 2 | M353-510-153 | 1 | Washer |
| 3 | M353-510-154 | 8 | Bush Assy |
| 4 | M353-510-155 | 1 | Gear |
| 5 | M353-510-156 | 1 | Gear |
| 6 | M353-510-157 | 3 | Hexagon Bolt |
| 7 | M353-510-158 | 5 | Socket-Head Screw |
| 8 | M353-510-159 | 1 | Shaft |
| 9 | M353-510-160 | 2 | Shaft Assy |
| 10 | M353-510-161 | 1 | Hexagon Bolt |
| 11 | M353-510-162 | 1 | Spring Lockwasher |
| 12 | M353-510-80 | 7 | Hexagon Bolt M10x1 ,5x80 MM |

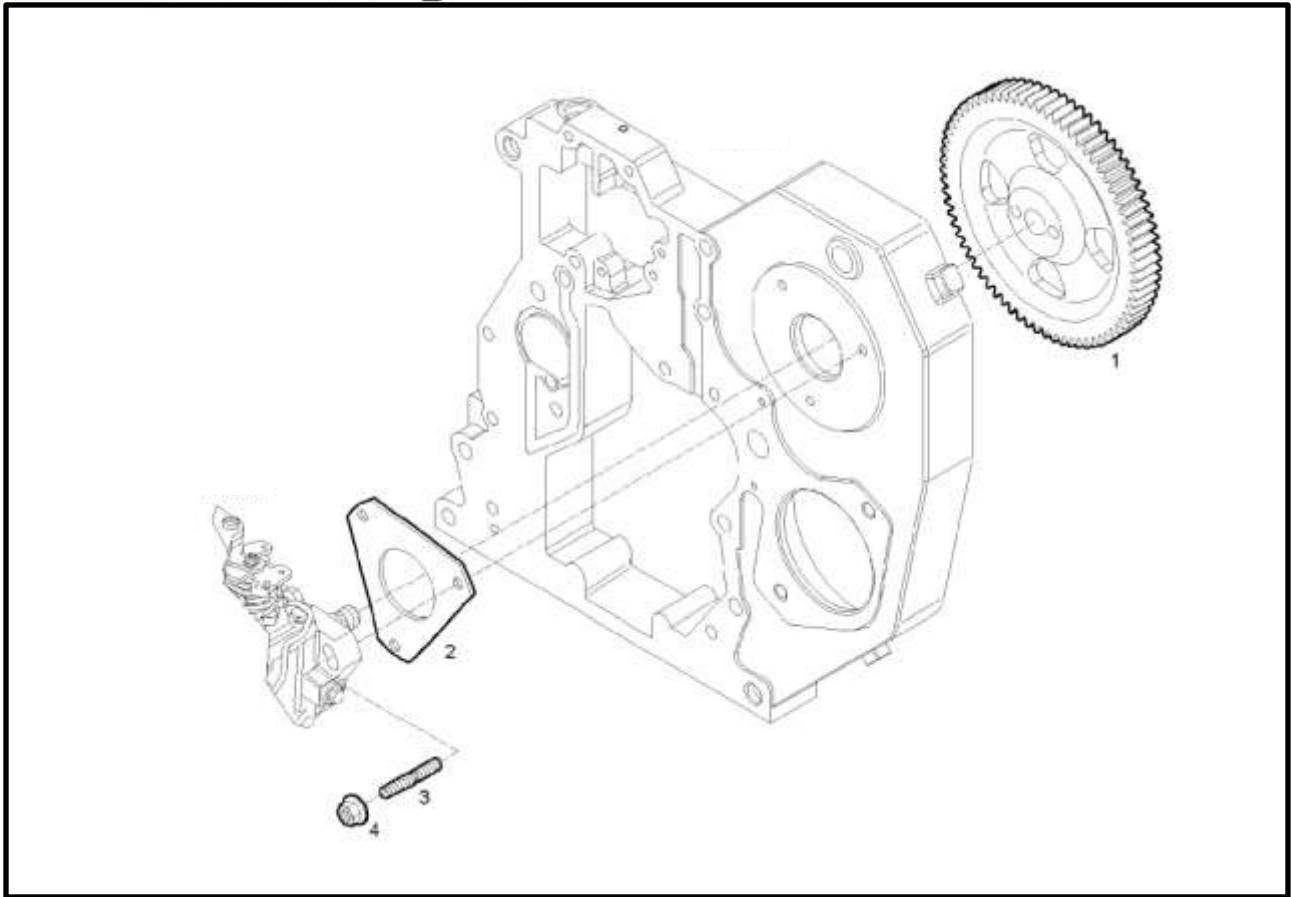
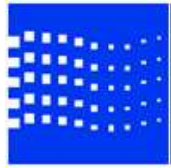


Dry Systems[®]
Technologies

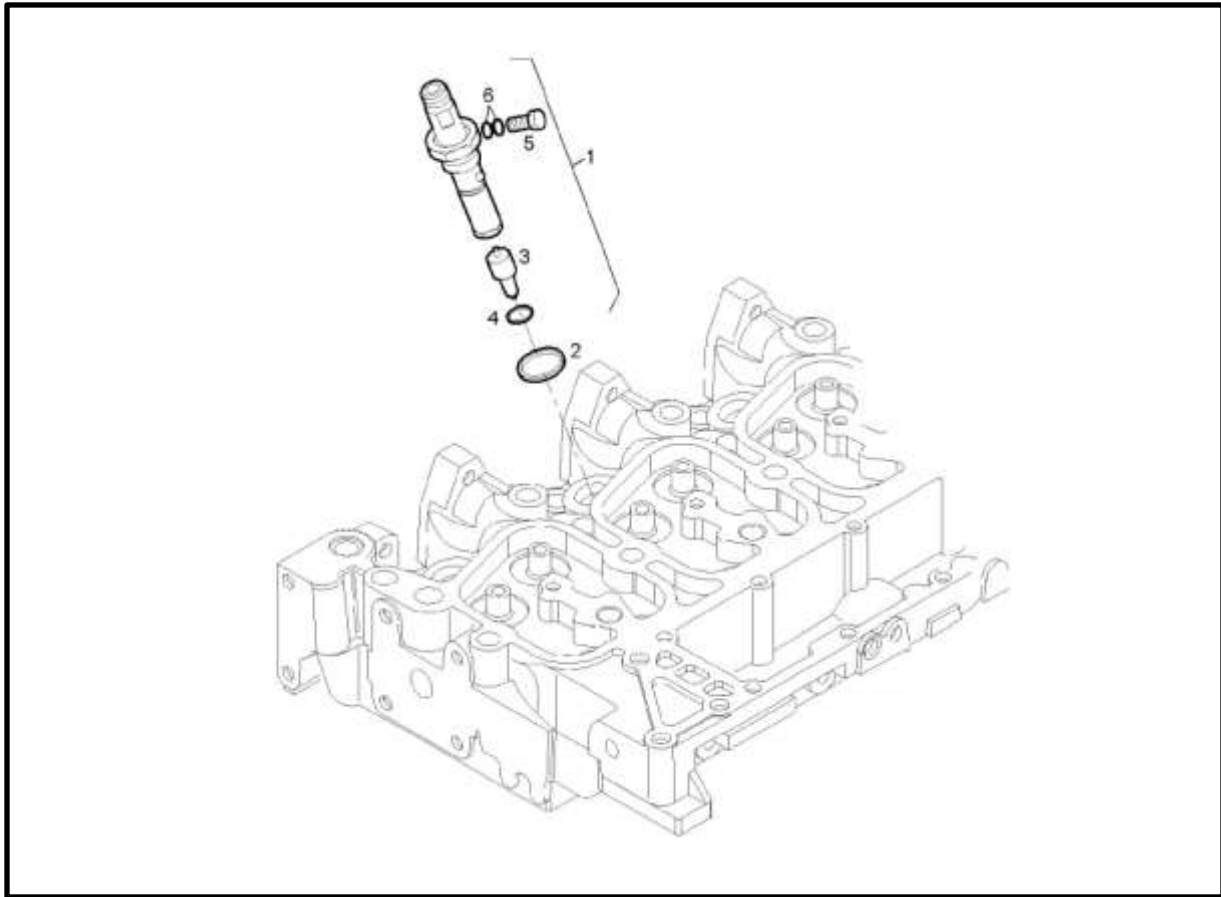
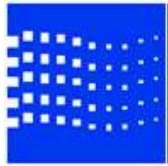
Fuel Injection Pump



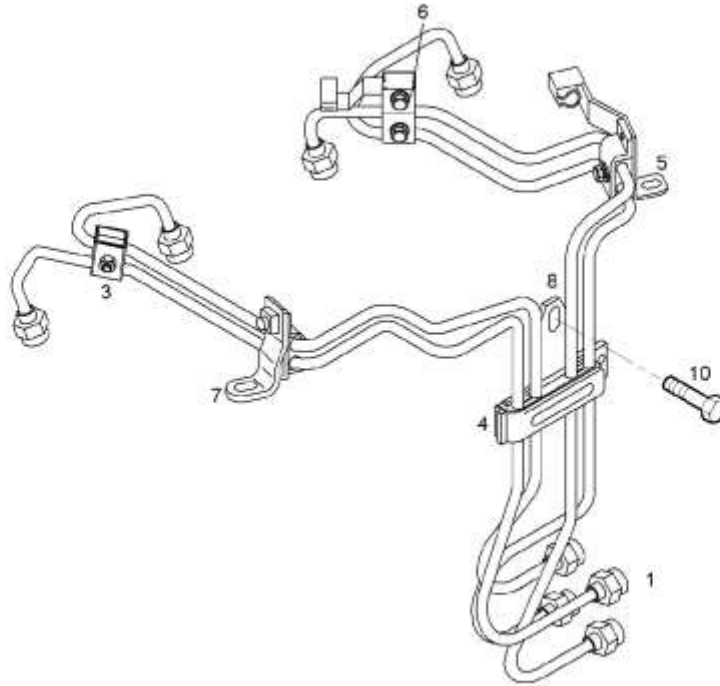
| Item | Part Number | Qty | Description |
|------|-------------|-----|-------------|
| 1 | M353-507-11 | 1 | Fuel Pump |



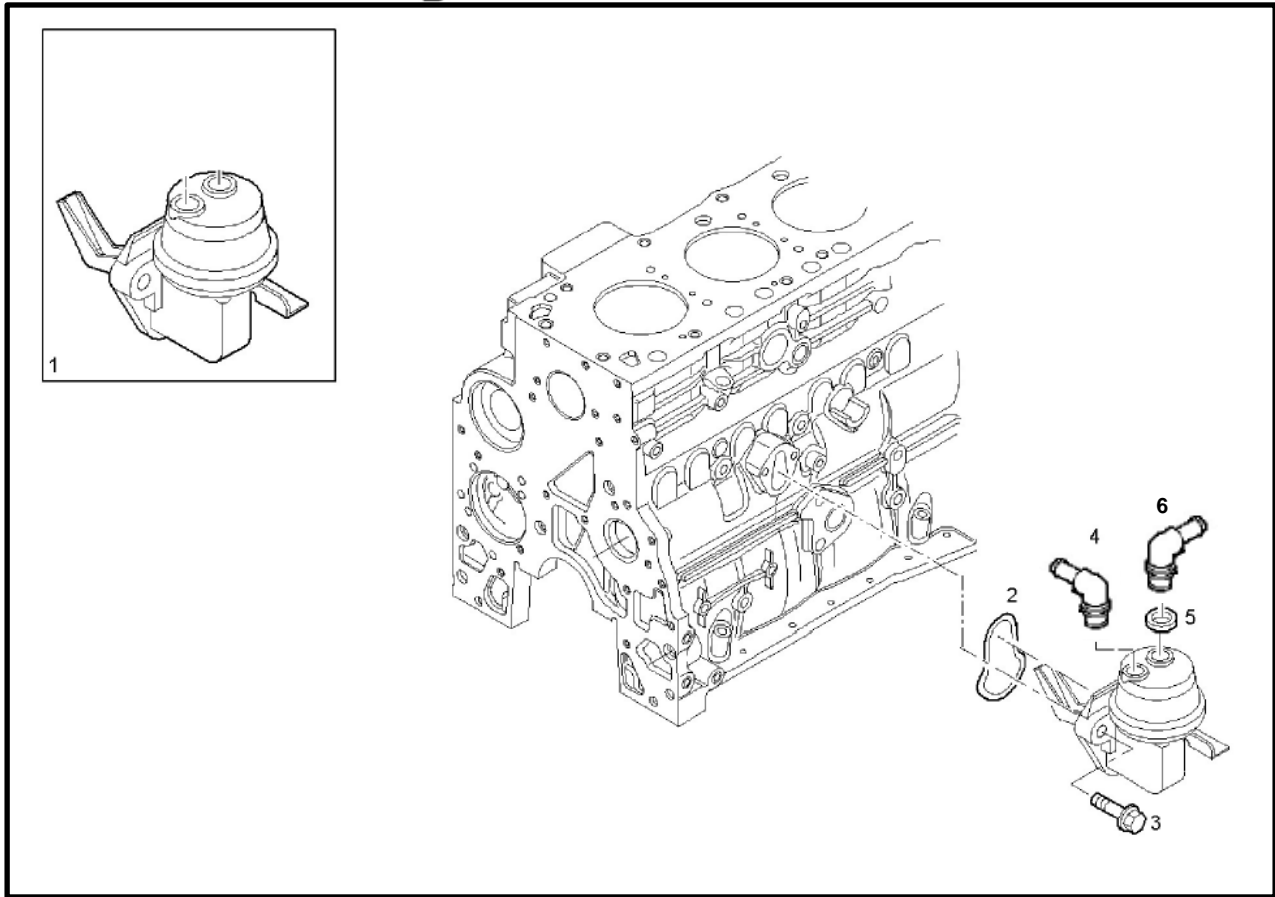
| Item | Part Number | Qty | Description |
|------|--------------|-----|----------------------|
| 1 | M353-510-169 | 1 | Inj. Pump Drive Gear |
| 2 | M353-510-23 | 1 | Engine Gasket |
| 3 | M353-510-170 | 3 | Stud M8x30 MM (8.8) |
| 4 | M353-510-171 | 3 | Nut M8 |



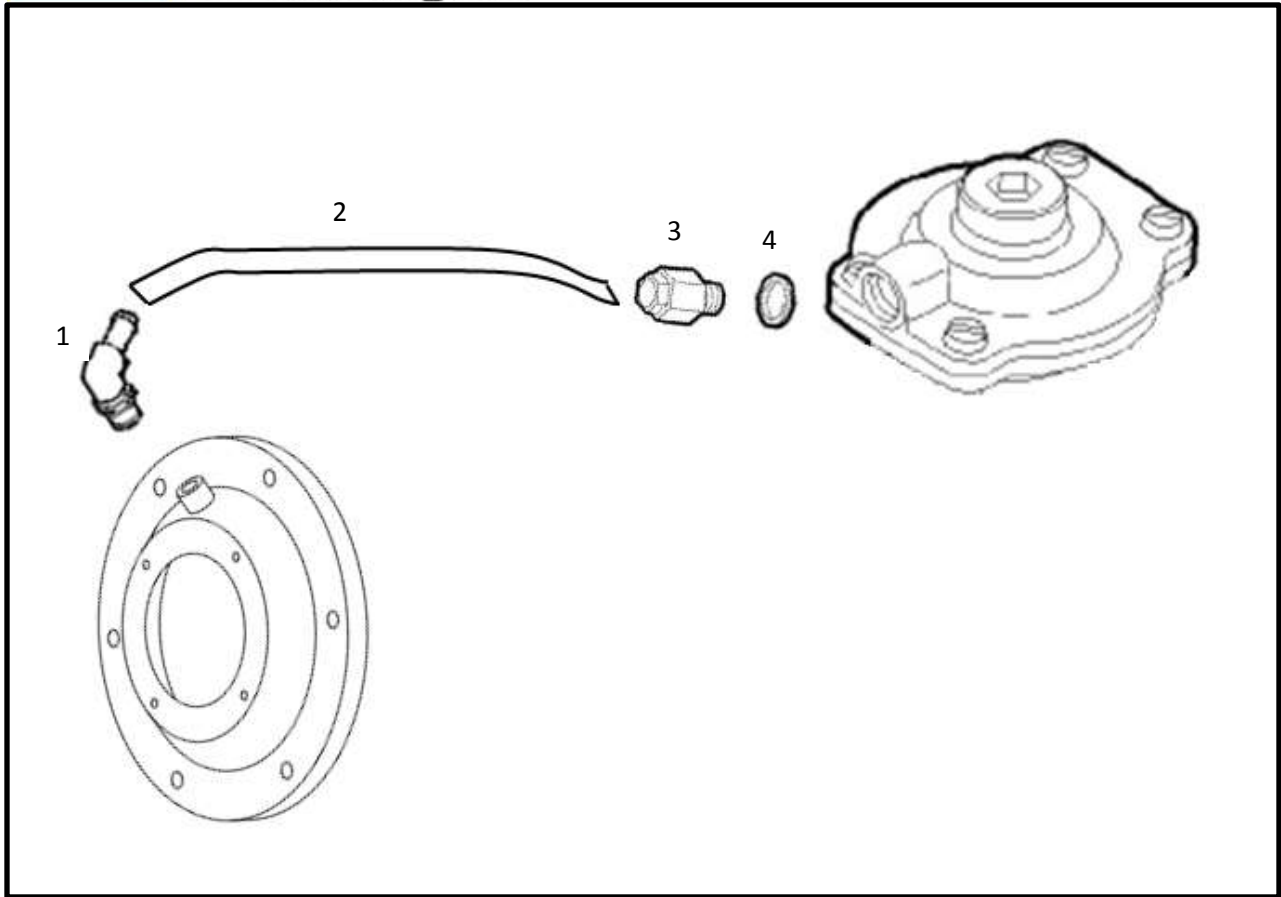
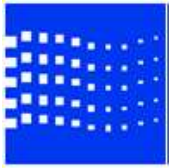
| Item | Part Number | Qty | Description |
|------|--------------|-----|-----------------------|
| 1 | M353-510-24 | 4 | Nozzle Assy |
| 2 | M353-510-172 | 4 | Seal Gasket |
| 3 | M353-510-173 | 4 | Fuel Nozzle |
| 4 | M353-510-174 | 4 | Washer |
| 5 | M353-510-175 | 4 | Screw Connector M6x1 |
| 6 | M250-530-01 | 4 | Seal, Banjo Connector |



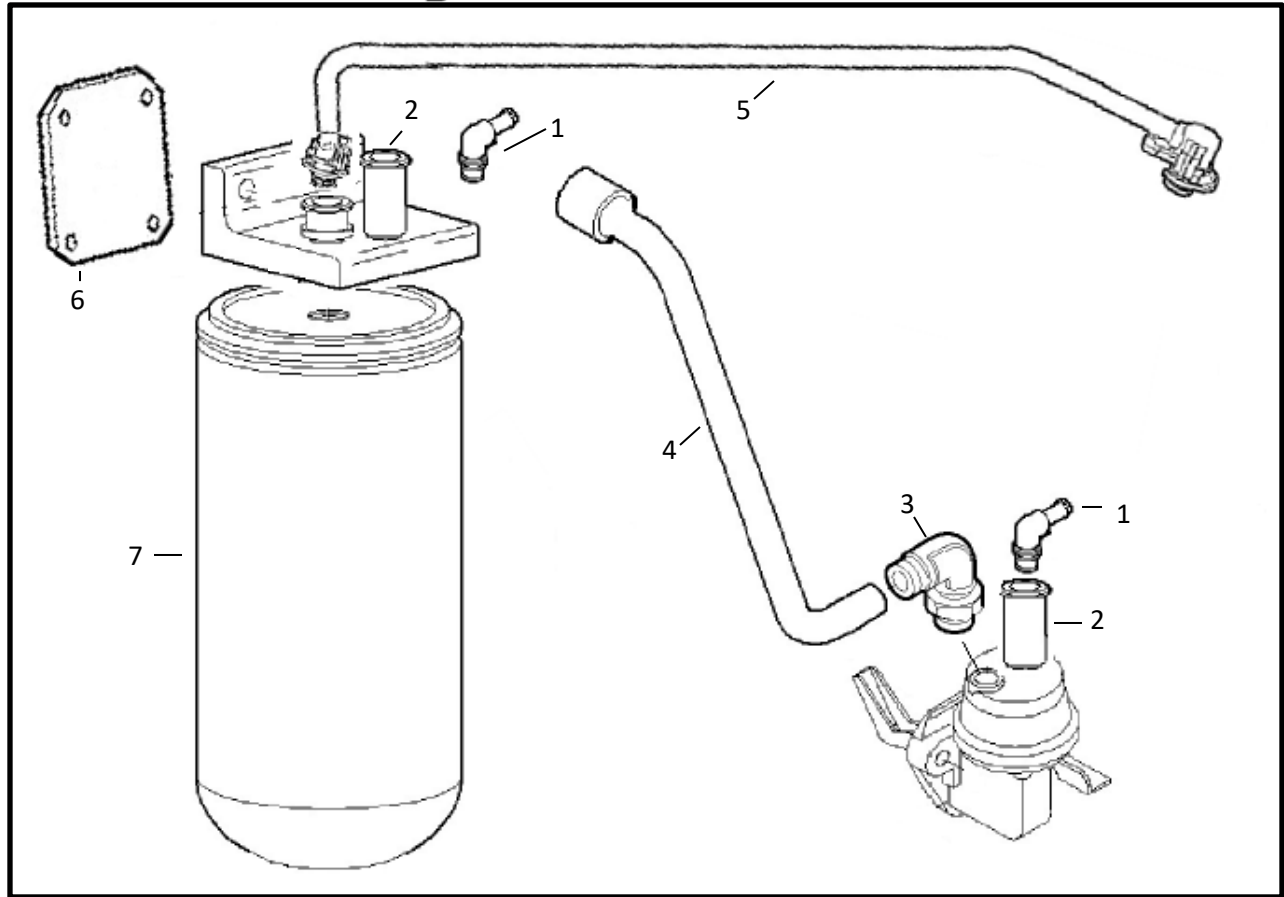
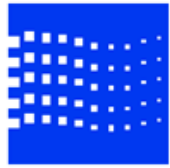
| Item | Part Number | Qty | Description |
|------|--------------|-----|-------------------------|
| 1 | M353-510-28 | 1 | Injection Line Set Assy |
| 3 | M353-510-185 | 1 | Fastening Bracket |
| 4 | M353-510-186 | 1 | Fastening Bracket |
| 5 | M353-510-187 | 1 | Fastening Bracket |
| 6 | M353-510-188 | 1 | Fastening Bracket |
| 7 | M353-510-189 | 1 | Fastening Bracket |
| 8 | M353-510-190 | 1 | Fastening Bracket |
| 10 | M353-510-191 | 1 | Hexagon Bolt |



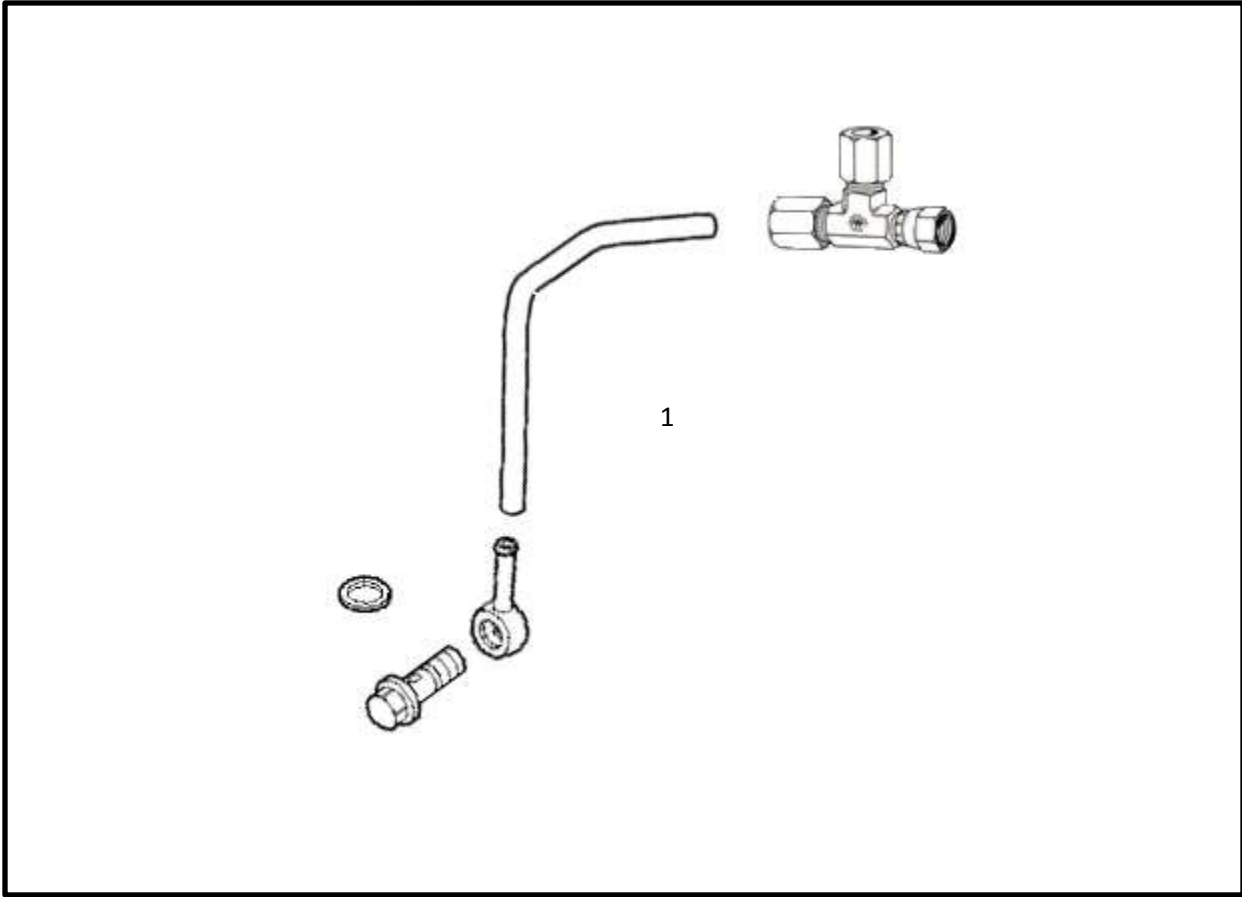
| Item | Part Number | Qty | Description |
|------|--------------|-----|--------------------------------------|
| 1 * | M353-510-26 | 1 | Fuel Pump Assy, Diaphragm Style |
| 2 * | M353-510-27 | 1 | O-Ring, Diaphragm Style |
| 3 | M353-510-182 | 2 | Hexagon Bolt M8x25 MM |
| 4 | M510-522-01 | 1 | Elbow |
| 5 | M510-520-02 | 1 | Seal |
| 6 | M510-523-01 | 1 | Elbow |
| 1 * | M353-510-267 | 1 | Fuel Pump Assy., Piston Inline Style |
| 2 * | M353-510-268 | 1 | Gasket, Piston Inline Style |



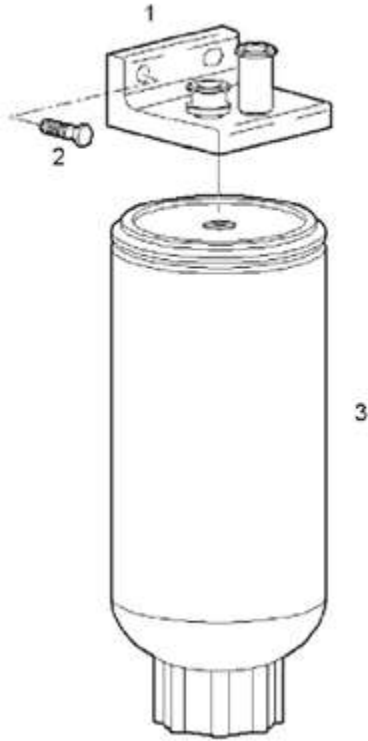
| Item | Part Number | Qty | Description |
|------|-------------|-----|--------------------|
| 1 | M510-516-01 | 1 | Elbow |
| 2 | M354-273-01 | 1 | Tube Asm |
| 3 | M510-524-01 | 1 | Adapter |
| 4 | M510-525-01 | 1 | Copper Seal Washer |



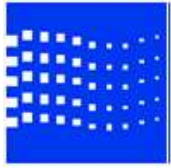
| Item | Part Number | Qty | Description |
|------|--------------|-----|---------------------------------|
| 1 | M510-523-01 | 2 | Elbow |
| 2 | M510-520-02 | 2 | Seal |
| 3 | M510-522-01 | 1 | Elbow |
| 4* | M354-271-01 | 1 | Tube Asm |
| 5 | M354-272-01 | 1 | Tube Asm |
| 6 | M353-514-01 | 1 | Bracket, Fuel Filter |
| 7 | M353-510-25 | 1 | Fuel Filter |
| 4* | M354-271-01B | 1 | Tube, Asm., Piston Inline Style |



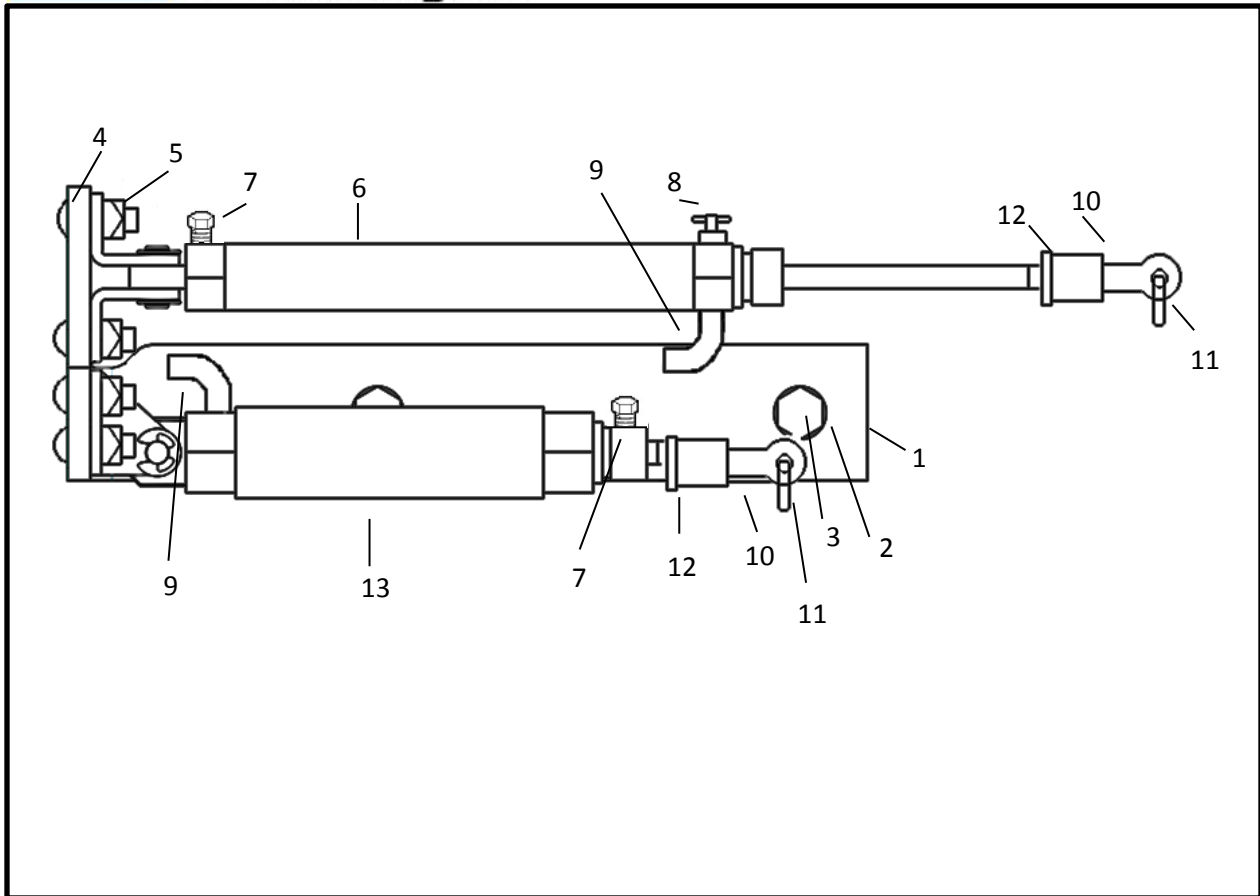
| Item | Part Number | Qty | Description |
|------|-------------|-----|---|
| 1 | M353-515-01 | 1 | Return Line Assembly – Complete Piping *can only be purchased complete, not Individual parts* |



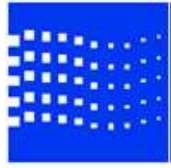
| Item | Part Number | Qty | Description |
|------|--------------|-----|-------------------------|
| 1 | M353-516-01 | 1 | Fuel Filt. Support Assy |
| 2 | M353-510-178 | 2 | Hexagon Bolt M8x25 MM |
| 3 | M353-510-25 | 1 | Fuel Filter Cartridge |



Shutdown Cylinder and Throttle Cylinder

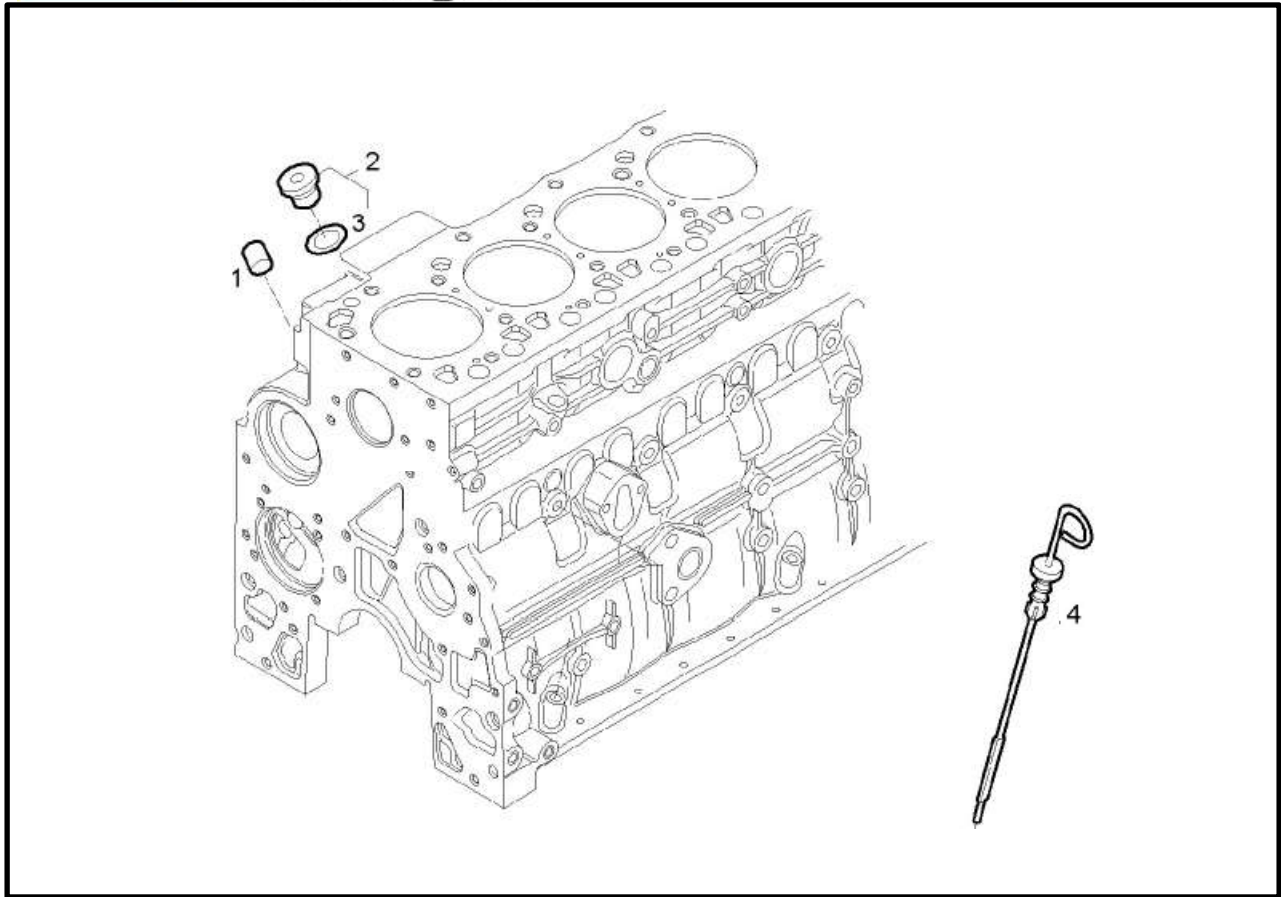
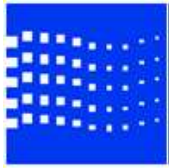


| Item | Part Number | Qty | Description |
|------|-------------|-----|-----------------------------|
| 1 | M353-506-01 | 1 | Bracket |
| 2 | M150-530-01 | 2 | M8 Lockwash |
| 3 | M600-151-01 | 2 | M8x25mm HHCS |
| 4 | M600-194-01 | 8 | #10 x 3/4 Pan Head Phillips |
| 5 | M600-195-01 | 8 | #10 Nut |
| 6 | M354-521-01 | 1 | Throttle Cylinder |
| 7 | M600-821-01 | 2 | Breather |
| 8 | M510-526-01 | 1 | Bleeder Valve |
| 9 | M90-467-01 | 2 | Elbow |
| 10 | M354-531-01 | 2 | Rod End |
| 11 | M600-196-01 | 2 | 1/4 – 28 Lock Nut |
| 12 | M600-127-01 | 2 | 1/4 -28 Nut |
| 13 | M353-502-01 | 1 | Cylinder, Shutdown |

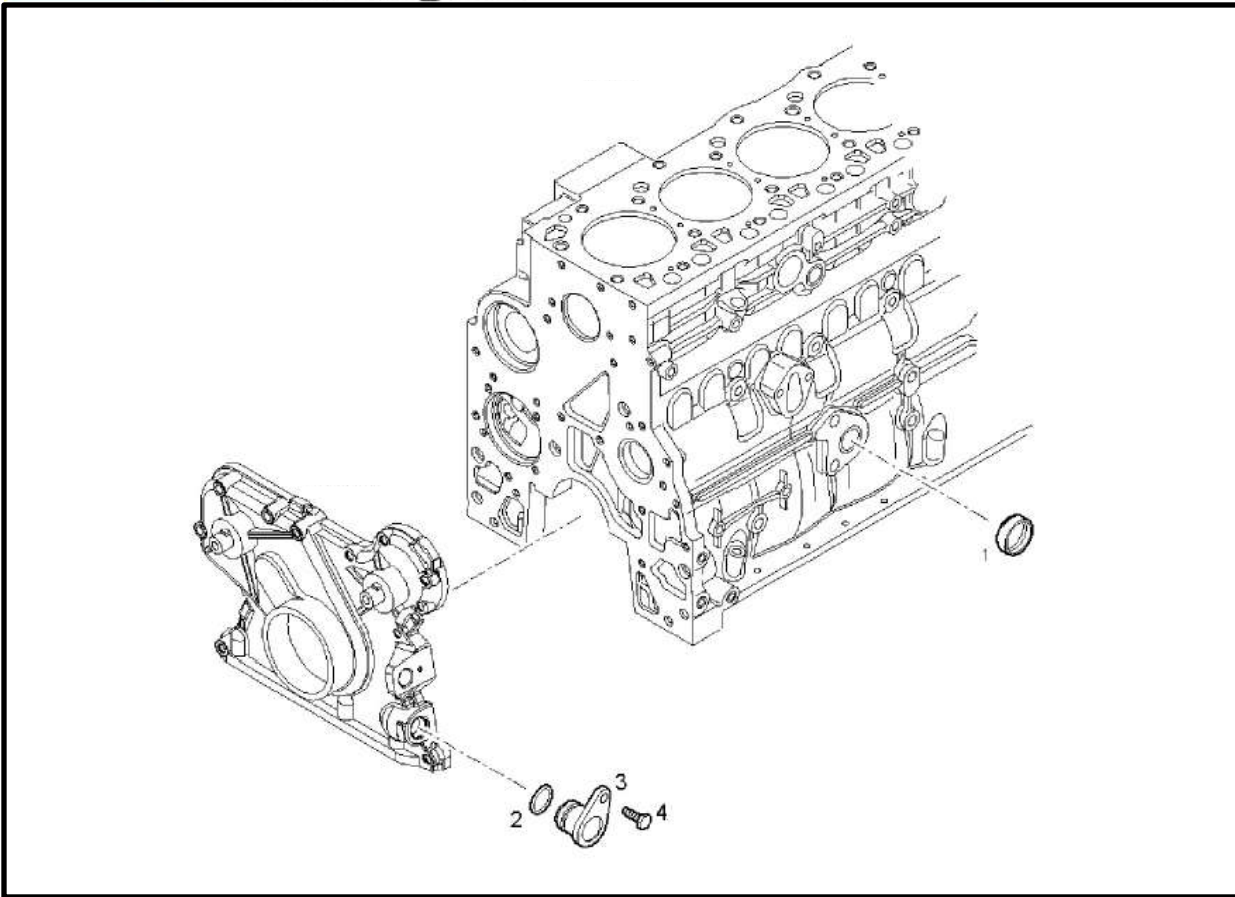
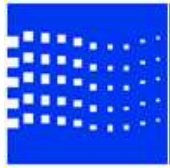


| <u>Item</u> | <u>Qty</u> | <u>Part Number</u> | <u>Description</u> |
|-------------|------------|--------------------|--------------------|
|-------------|------------|--------------------|--------------------|

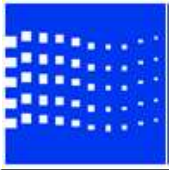
PAGE LEFT BLANK



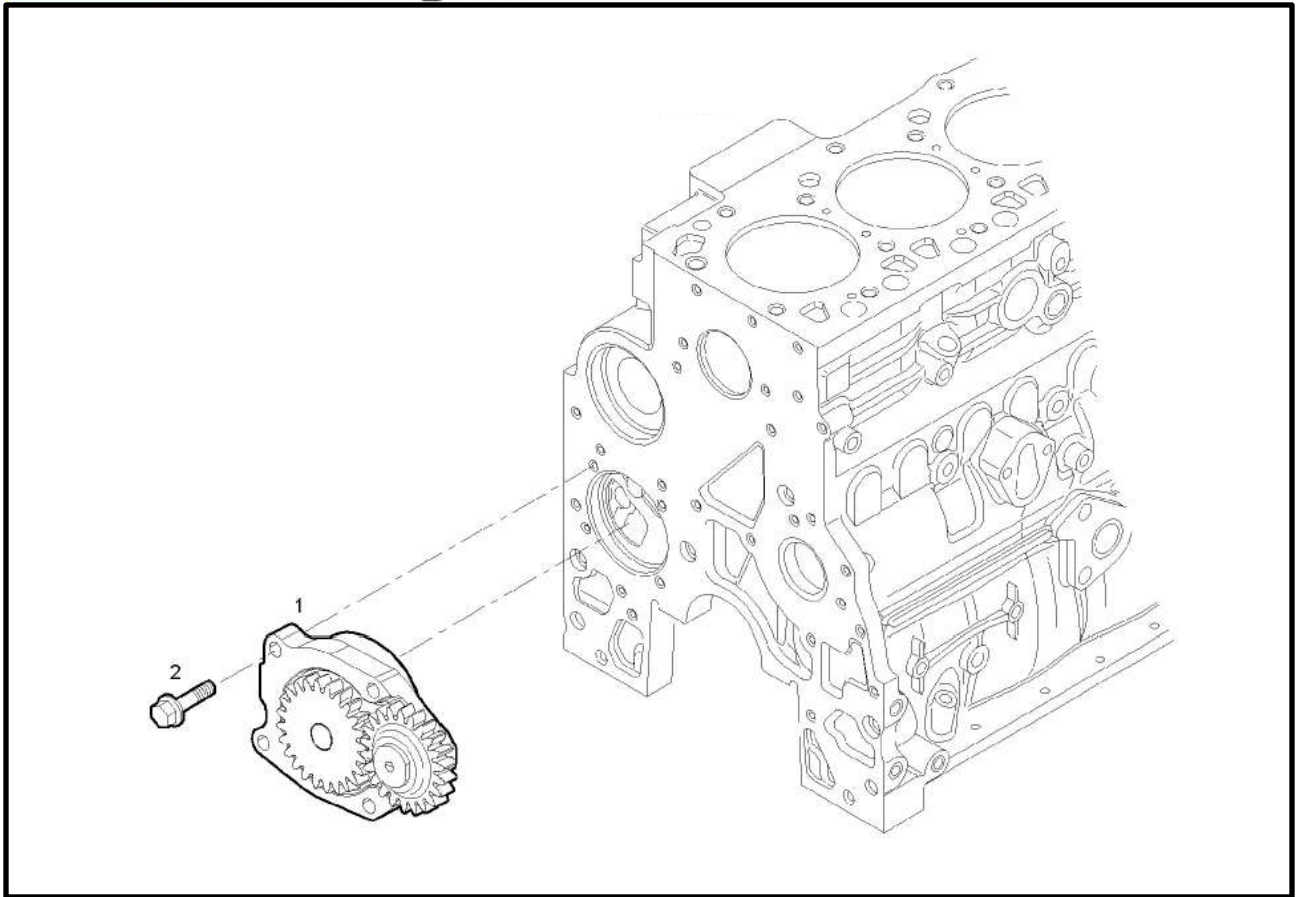
| Item | Part Number | Qty | Description |
|------|--------------|-----|--------------------|
| 1 | M353-510-201 | 1 | Plug |
| 2 | M353-510-202 | 2 | Plug Assy M12x1 ,5 |
| 3 | M353-510-203 | 2 | O-Ring |
| 4 | M353-510-258 | 1 | Long Dipstick |



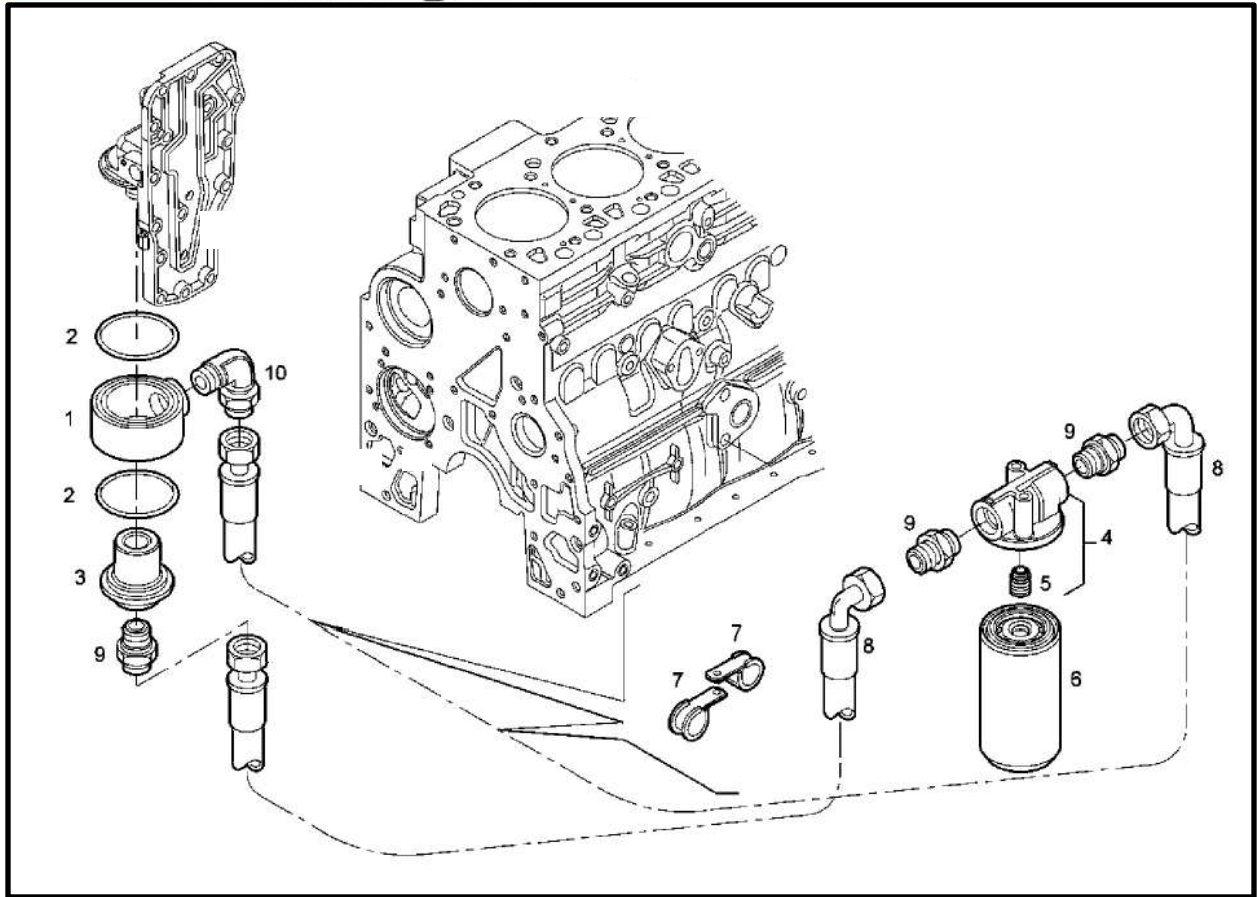
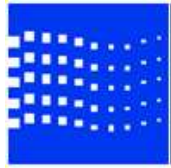
| Item | Part Number | Qty | Description |
|------|--------------|-----|---------------------------|
| 1 | M353-510-204 | 1 | Plug |
| 2 | M353-510-205 | 1 | O-Ring Dia 17 ,12 SP 2,62 |
| 3 | M353-510-206 | 1 | Oil Filler Plug |
| 4 | M353-510-207 | 1 | Hexagon Bolt M6x18 MM |



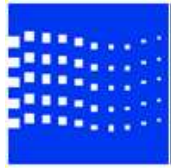
Oil Pump



| Item | Part Number | Qty | Description |
|------|--------------|-----|---------------|
| 1 | M353-510-208 | 1 | Lube Oil Pump |
| 2 | M353-510-209 | 4 | Hexagon Bolt |

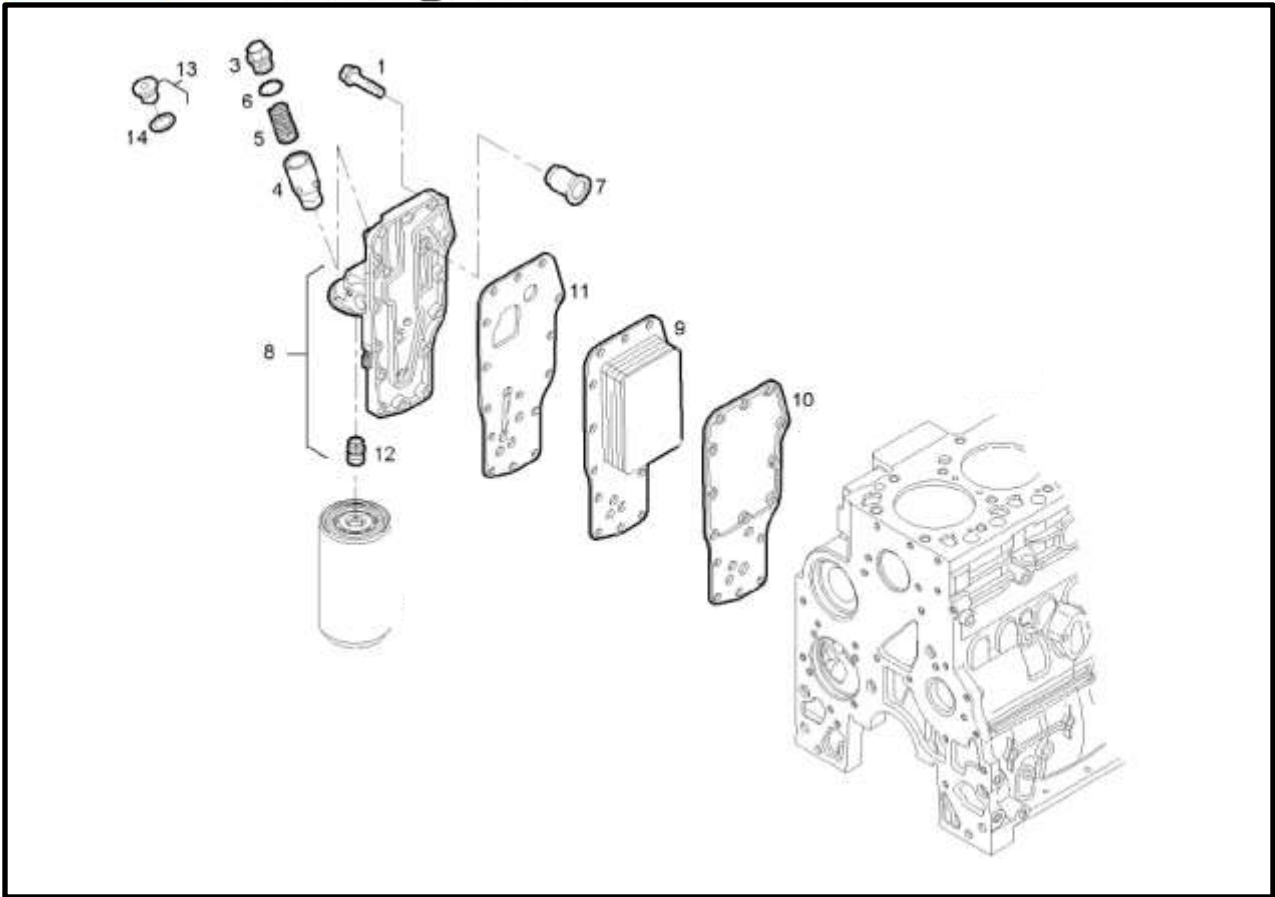


| Item | Part Number | Qty | Description |
|------|--------------|-----|-----------------------------|
| 1 | M353-510-253 | 1 | Support |
| 2 | M353-510-254 | 2 | O-Ring Ø59, 92mm SP=3,53 mm |
| 3 | M353-510-255 | 1 | Threaded Union |
| 4 | M353-510-35 | 1 | Oil Filter Support Assy |
| 5 | M353-510-233 | 1 | Threaded Union |
| 6 | M353-510-29 | 1 | Oil Filter Cartridge |
| 7 | M353-510-256 | 4 | Fastening Bracket |
| 8 | M353-510-37 | 2 | Hose |
| 9 | M353-510-36 | 3 | Threaded Union |
| 10 | M353-510-38 | 1 | Elbow Coupling |

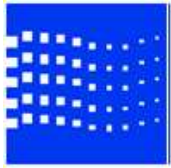


**Dry Systems
Technologies**

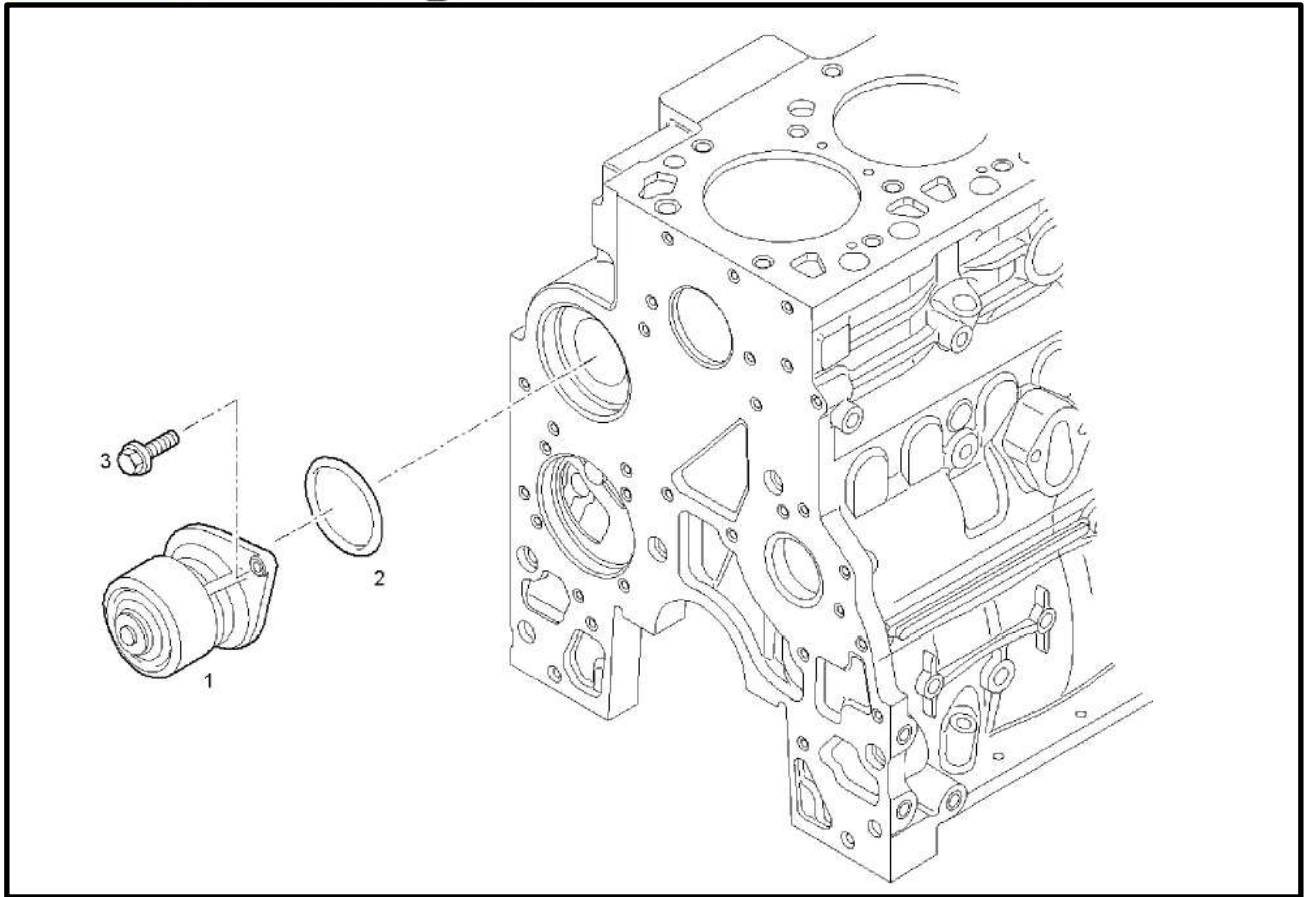
Oil – Water Heat Exchanger



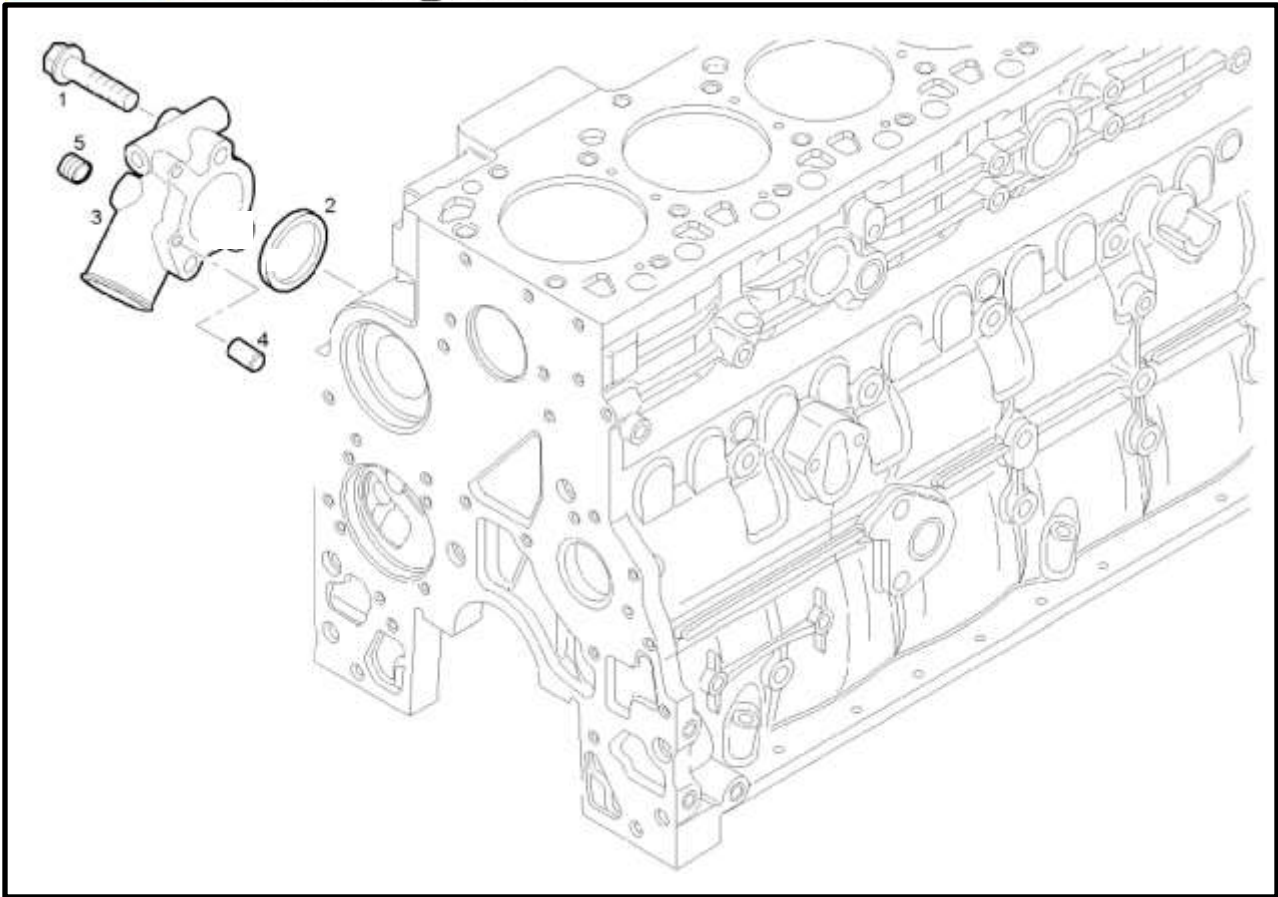
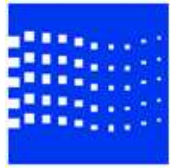
| Item | Part Number | Qty | Description |
|------|--------------|-----|--------------------------|
| 1 | M353-510-223 | 15 | Hexagon Bolt M8x35 MM |
| 3 | M353-510-224 | 1 | Threaded Plug |
| 4 | M353-510-225 | 1 | Valve Housing |
| 5 | M353-510-226 | 1 | Valve Spring |
| 6 | M353-510-227 | 1 | O-Ring |
| 7 | M353-510-228 | 1 | Valve |
| 8 | M353-510-229 | 1 | Heat Exchanger Body Assy |
| 9 | M353-510-230 | 1 | Oil Cooler |
| 10 | M353-510-231 | 1 | Engine Gasket |
| 11 | M353-510-232 | 1 | Engine Gasket |
| 12 | M353-510-233 | 1 | Threaded Union |
| 13 | M353-510-234 | 1 | Threaded Plug Assy |
| 14 | M353-510-235 | 1 | O-Ring |



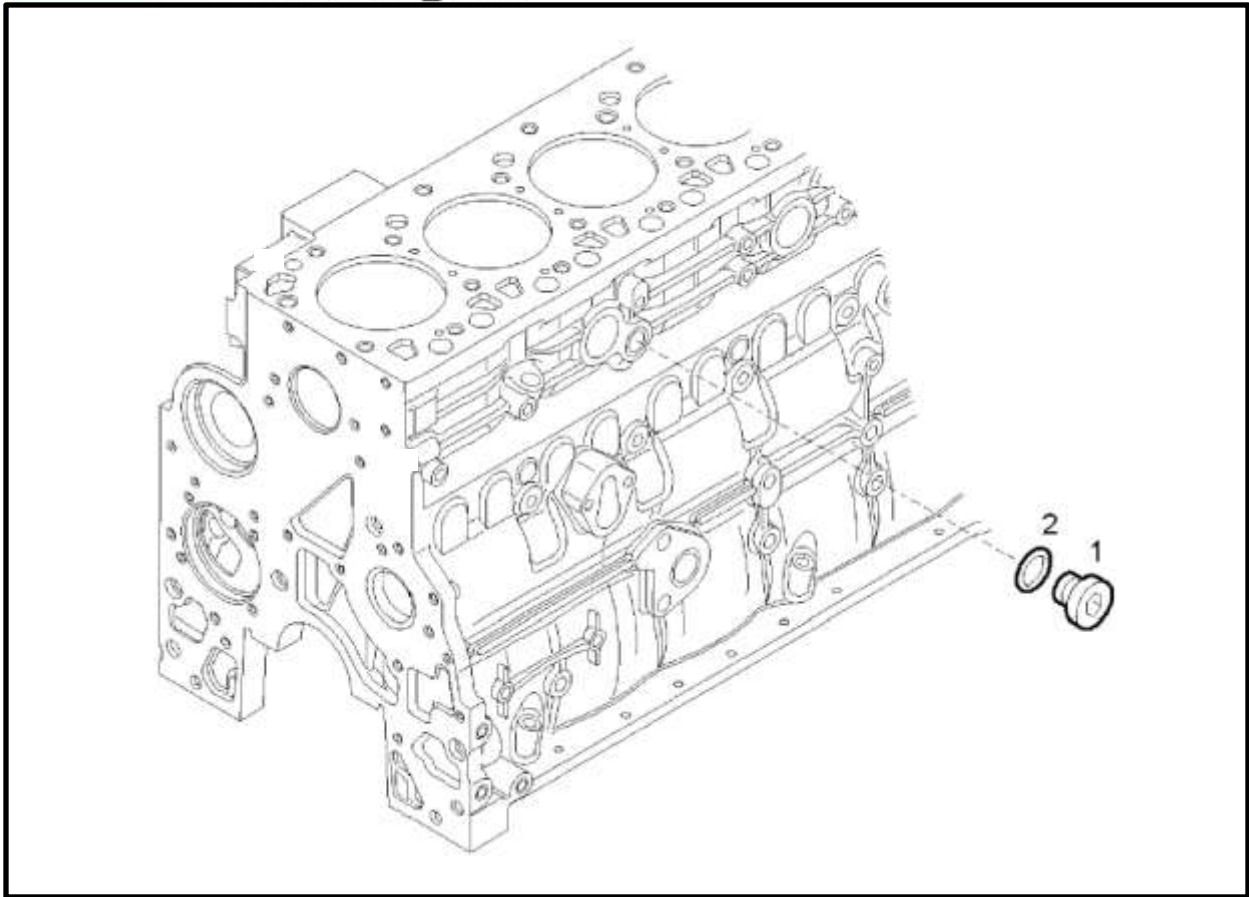
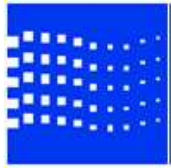
Water Pump



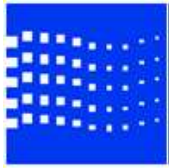
| Item | Part Number | Qty | Description |
|------|--------------|-----|---------------|
| 1 | M353-510-30 | 1 | Water Pump |
| 2 | M353-510-31 | 1 | Rubber Gasket |
| 3 | M353-510-236 | 2 | Hexagon Bolt |



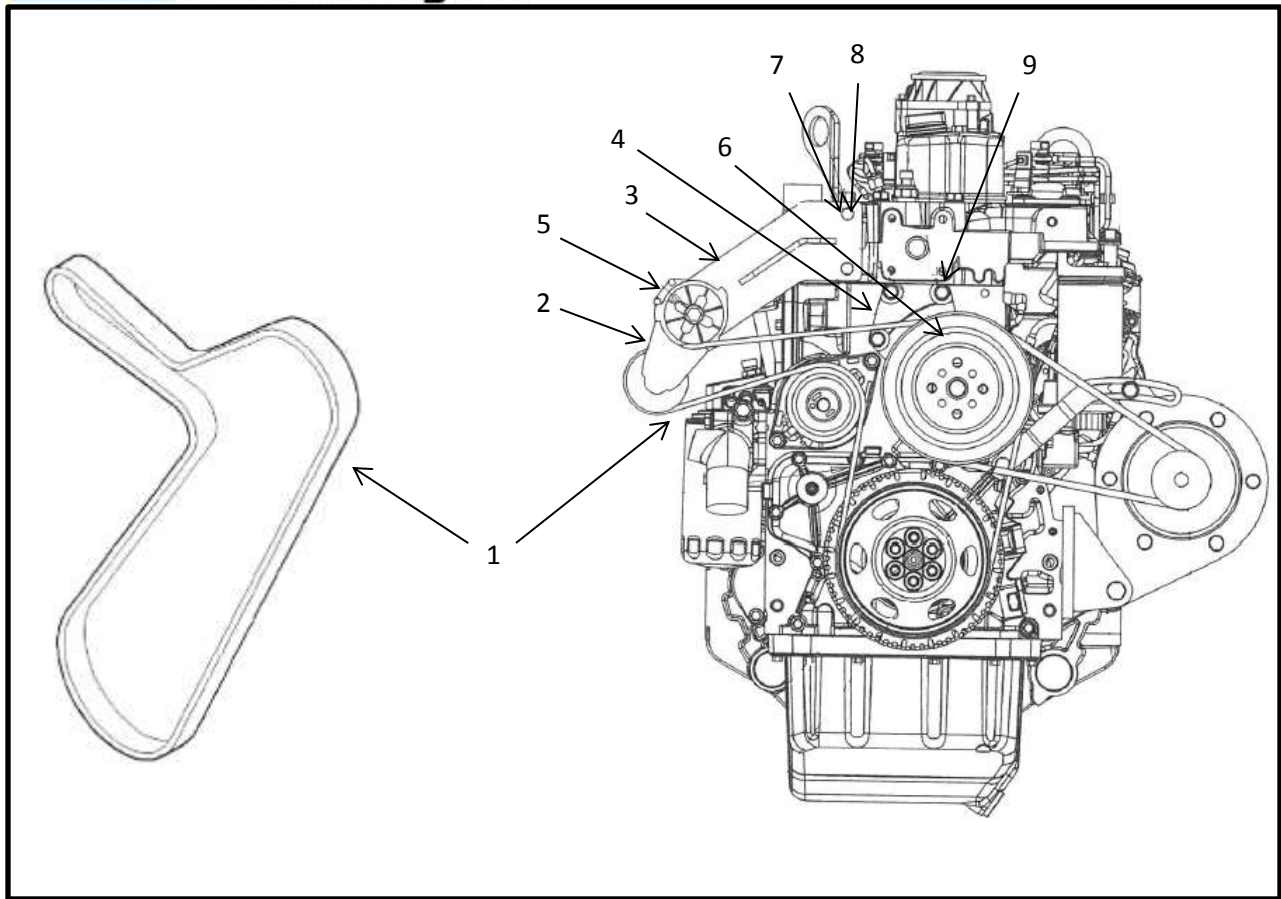
| Item | Part Number | Qty | Description |
|------|--------------|-----|------------------------|
| 1 | M353-510-237 | 3 | Hexagon Bolt M10x80 MM |
| 2 | M353-510-238 | 1 | Washer |
| 3 | M353-510-239 | 1 | General Support Assy |
| 4 | M353-510-240 | 2 | Dowel Pin |
| 5 | M353-510-241 | 1 | Lock Plug M22x1 ,5 |



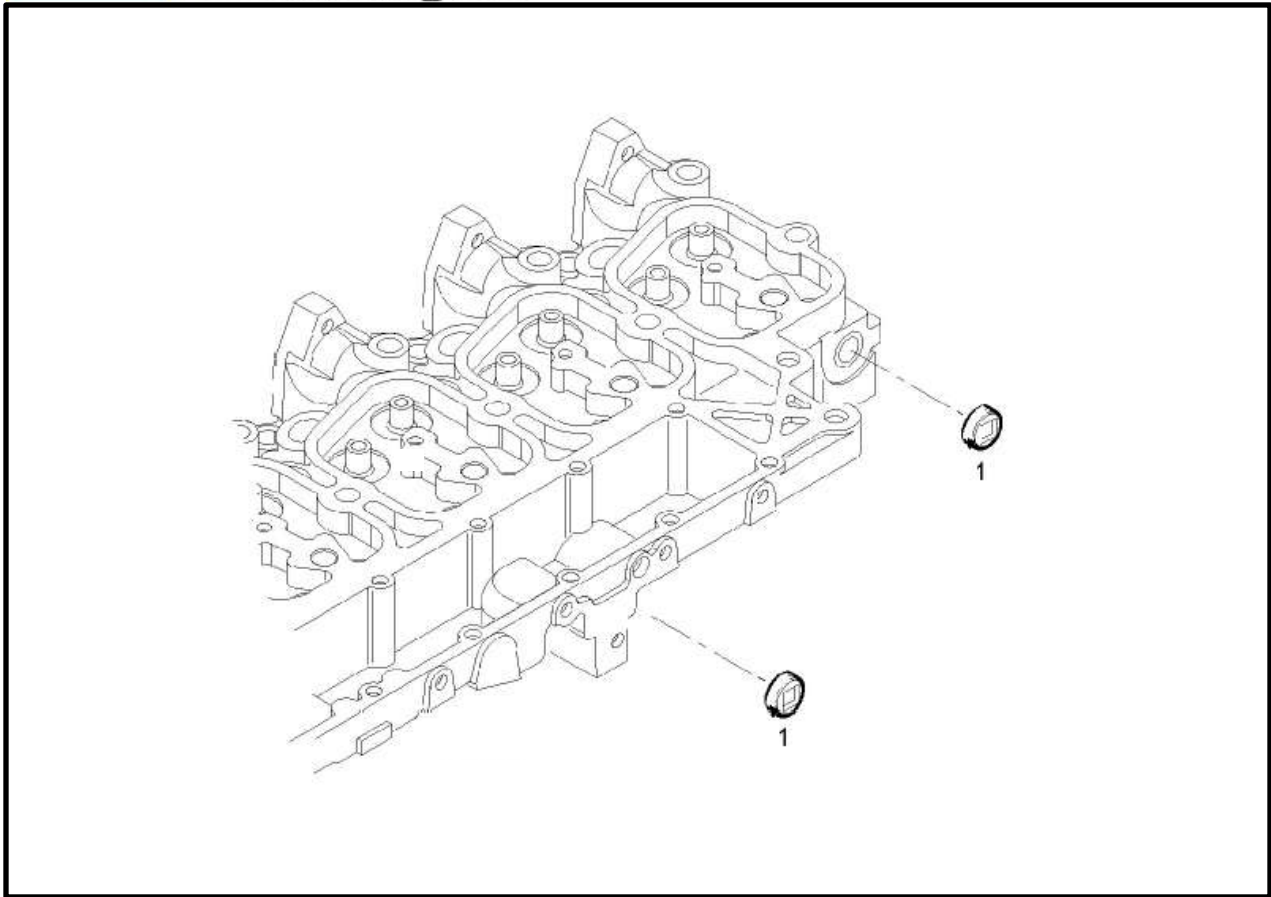
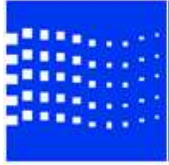
| Item | Part Number | Qty | Description |
|------|--------------|-----|--|
| 1 | M353-510-243 | 1 | Threaded Plug M16x1 ,5 MM Assy |
| 2 | M353-510-244 | 1 | O-Ring \varnothing 13,9 MM SP=2,6 MM |



Water Pump Drive



| Item | Part Number | Qty | Description |
|------|-------------|-----|-------------------------------------|
| 1 | M353-510-34 | 1 | Water Pump Belt |
| 2 | M509-585-01 | 1 | Belt Tensioner |
| 3 | M354-511-01 | 1 | Bracket, Belt Tensioner |
| 4 | M509-598-01 | 1 | Support, Fan |
| 5 | M600-171-01 | 1 | Bolt, Hex Flange Head – m10x1.50x75 |
| 6 | M506-555-01 | 1 | Pulley, Single A |
| 7 | M600-177-01 | 2 | Bolt, m8x1.25x30 HHCS |
| 8 | M150-530-01 | 2 | Washer, m8 Lock |
| 9 | M600-170-01 | 3 | Bolt, Hex Flange Head – m8x1.25x35 |

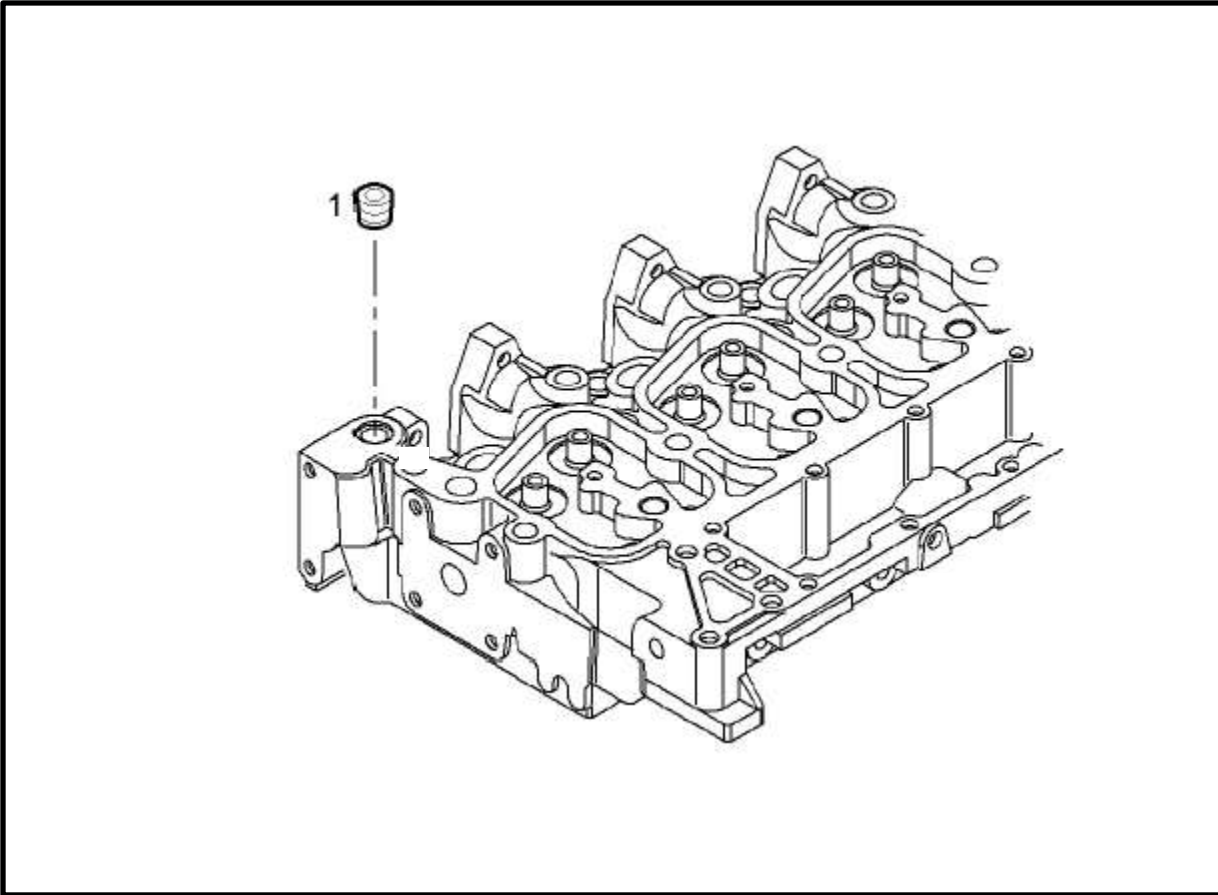


| Item | Part Number | Qty | Description |
|------|--------------|-----|---------------|
| 1 | M353-510-242 | 2 | Threaded Plug |

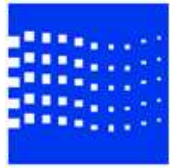


**Dry Systems[®]
Technologies**

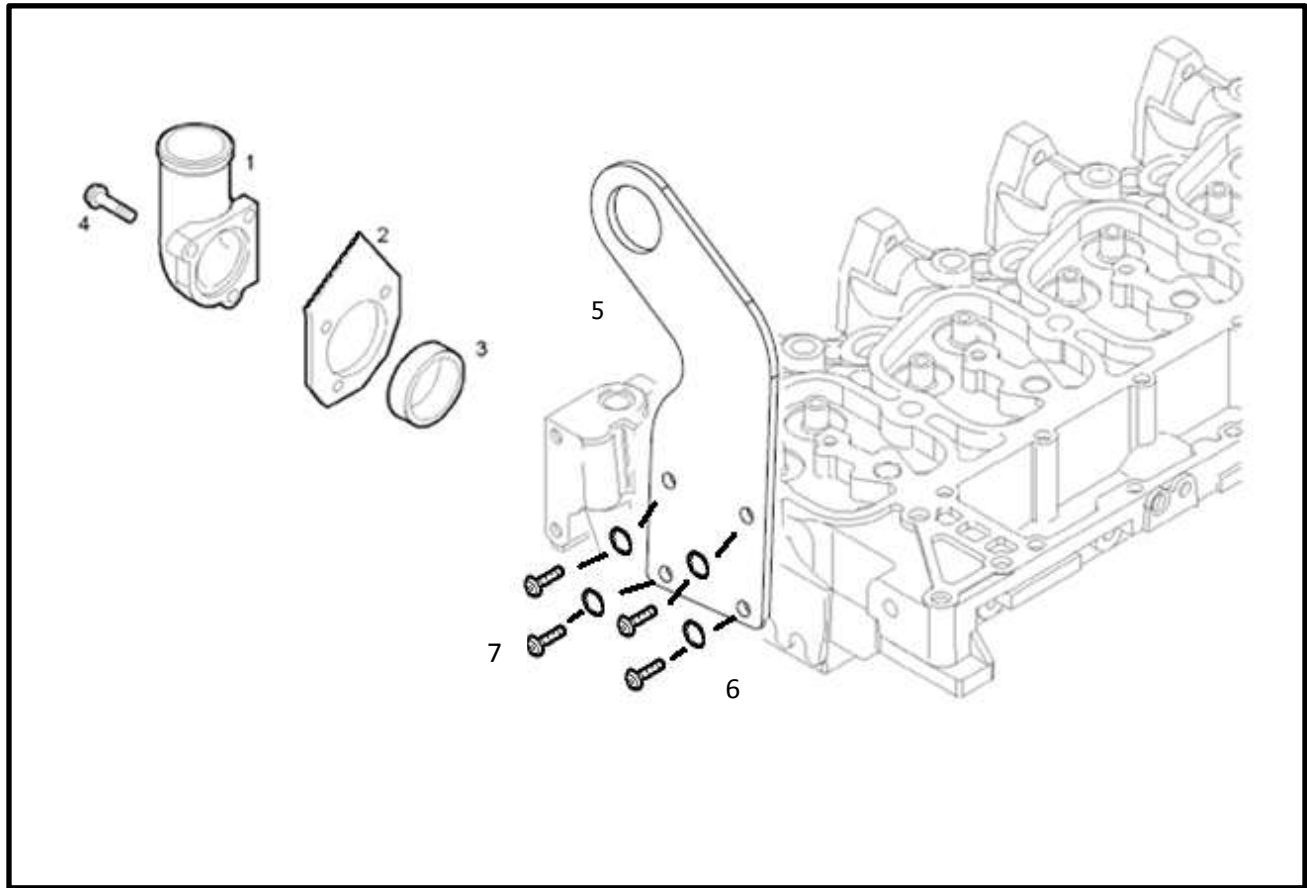
Head Plug



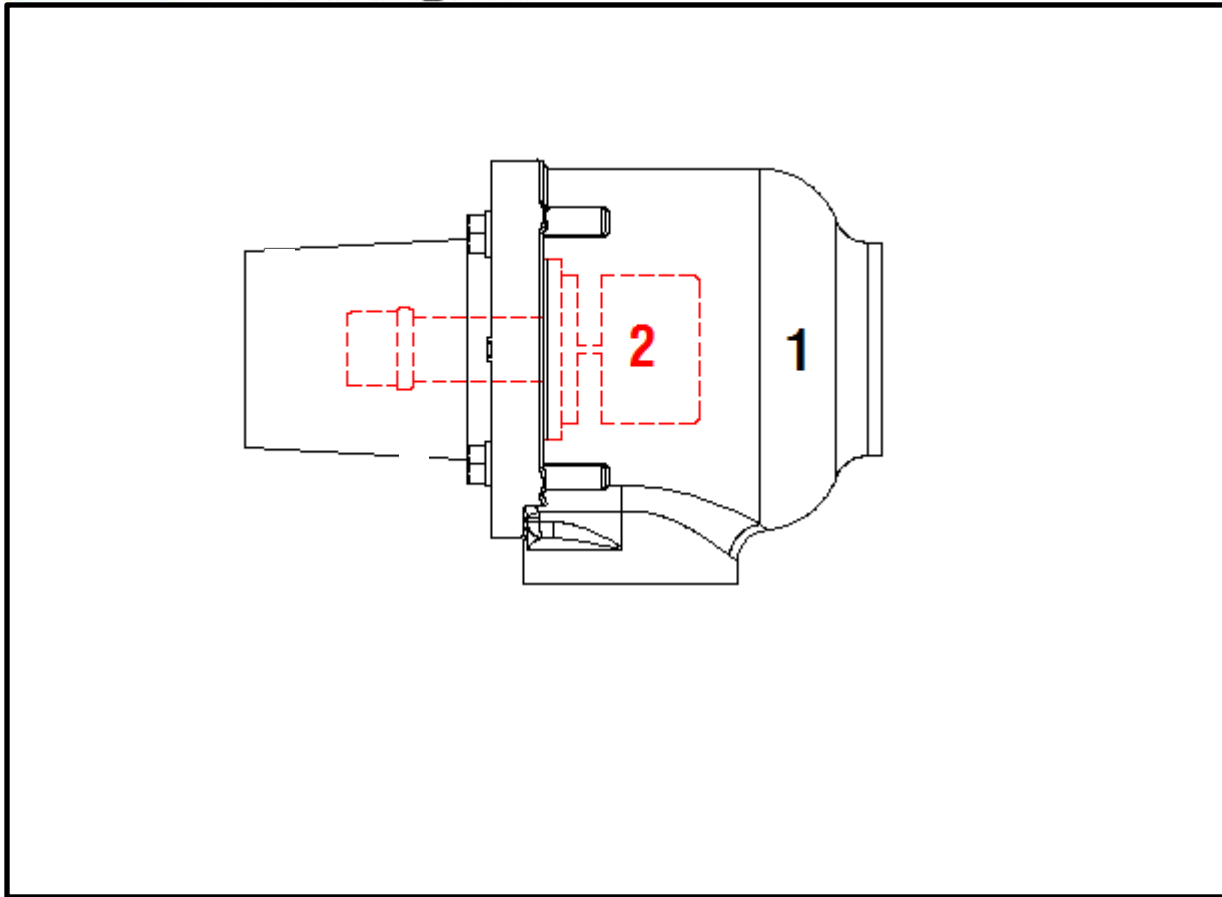
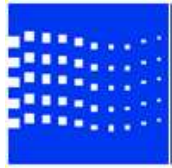
| Item | Part Number | Qty | Description |
|------|--------------|-----|---------------|
| 1 | M353-510-242 | 1 | Threaded Plug |



Dry Systems[®] Hot Coolant Piping & Lifting Lug

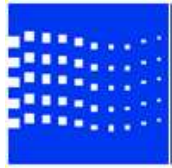


| Item | Part Number | Qty | Description |
|------|--------------|-----|--------------------|
| 1 | M353-510-32 | 1 | Body |
| 2 | M353-510-245 | 1 | Hitch Lug Modified |
| 3 | M353-510-33 | 1 | Rubber Gasket |
| 4 | M353-510-246 | 3 | Hexagon Bolt |
| 5 | M353-513-01 | 1 | Lug, Lifting |
| 6 | M150-530-01 | 4 | Washer, m8 lock |
| 7 | M600-197-01 | 4 | Bolt |

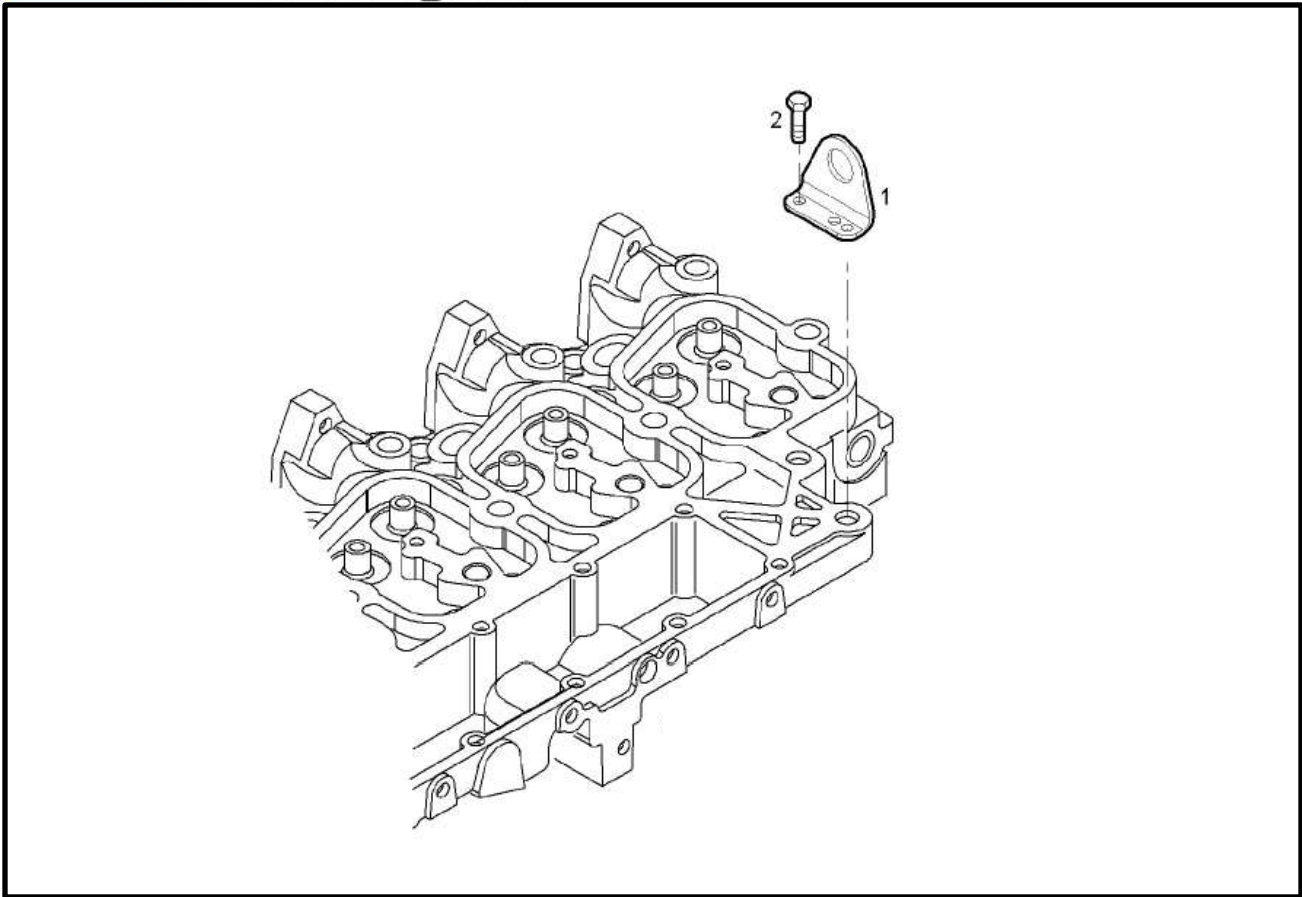


| Item | Part Number | Qty | Description |
|------|-------------|-----|------------------------|
| 1 | M354-702-01 | 1 | Thermostat Assy |
| 2 | M354-702-02 | 1 | Thermostat Service Kit |

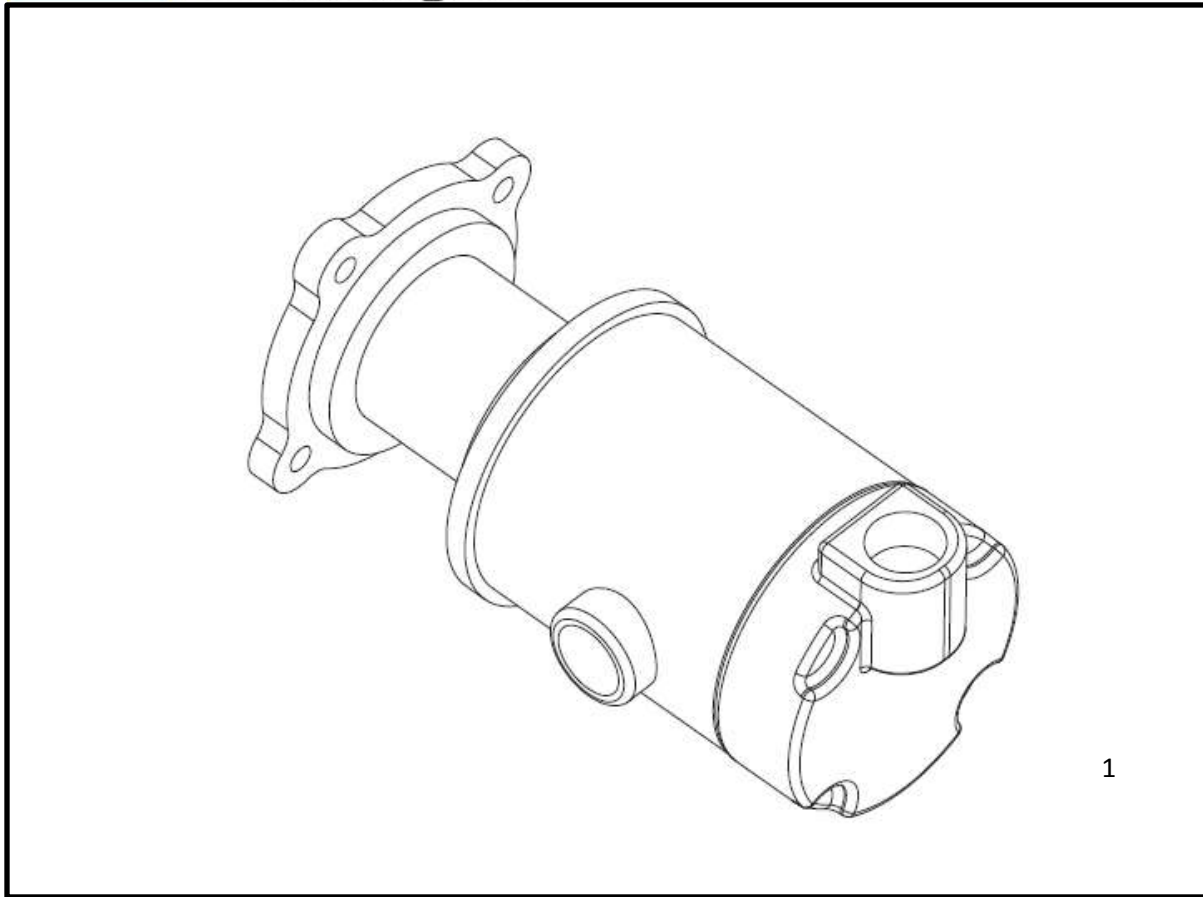
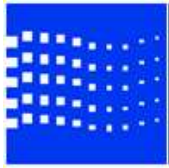
Service Kit Includes – Thermostat, O-Ring &
Lipseal



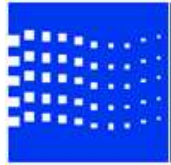
Lifting Lug



| Item | Part Number | Qty | Description |
|------|--------------|-----|--------------|
| 1 | M353-510-251 | 1 | Hitch Lug |
| 2 | M353-510-71 | 2 | Hexagon Bolt |

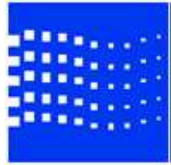


| Item | Part Number | Qty | Description |
|------|-------------------------------|-----|-------------------------|
| 1 | M354-523-01 (Not Pictured) | 1 | Air Starter |
| | M354-523-02 | 1 | Air Muffler |
| | M150-515-01 | 1 | Air Relay Valve |
| | M150-516-01 | 1 | Lubricator |
| | M150-517-01 | 1 | Filter, w/ manual drain |

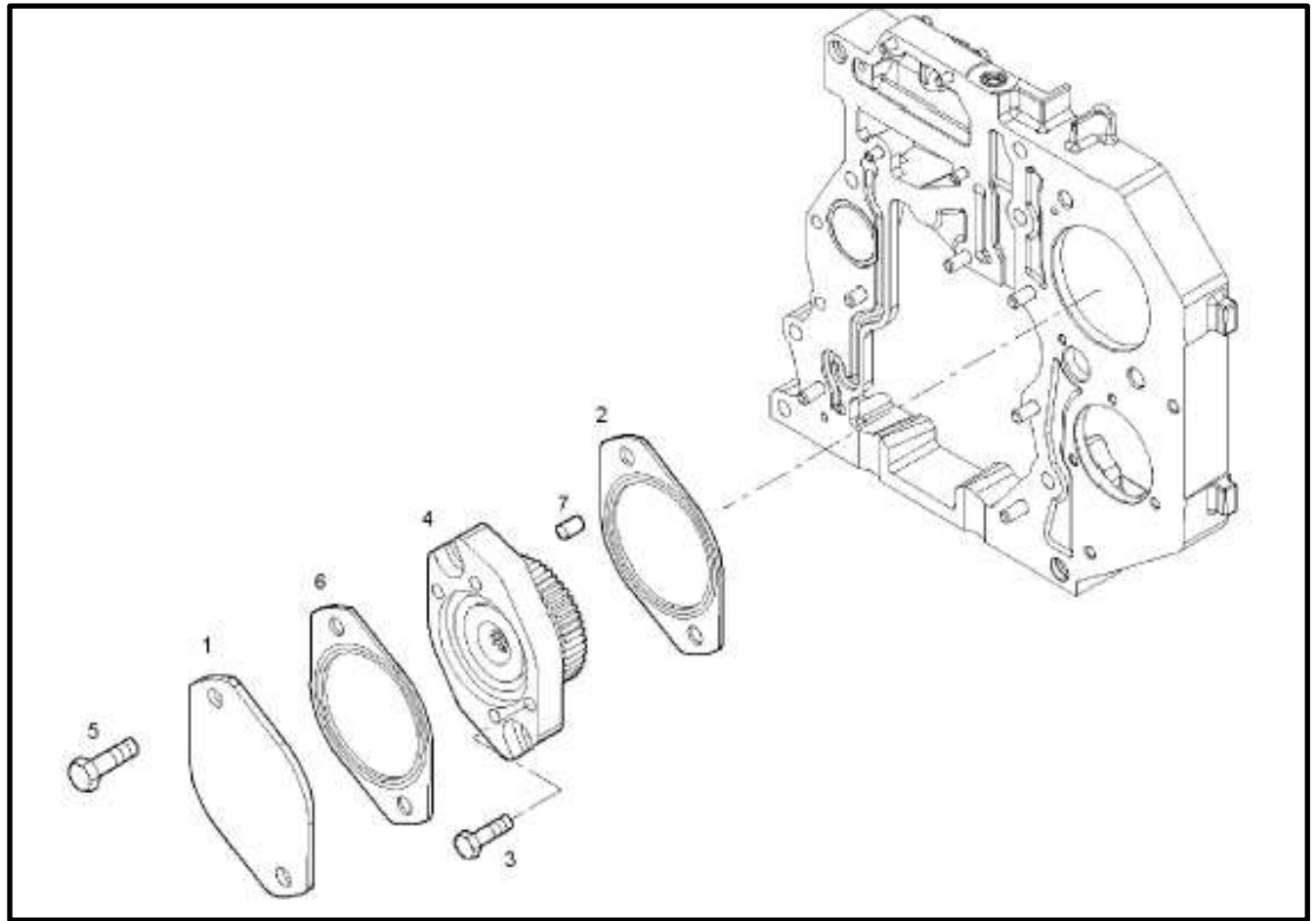


| <u>Item</u> | <u>Qty</u> | <u>Part Number</u> | <u>Description</u> |
|-------------|------------|--------------------|--------------------|
|-------------|------------|--------------------|--------------------|

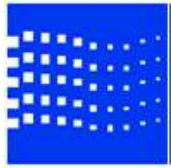
PAGE LEFT BLANK



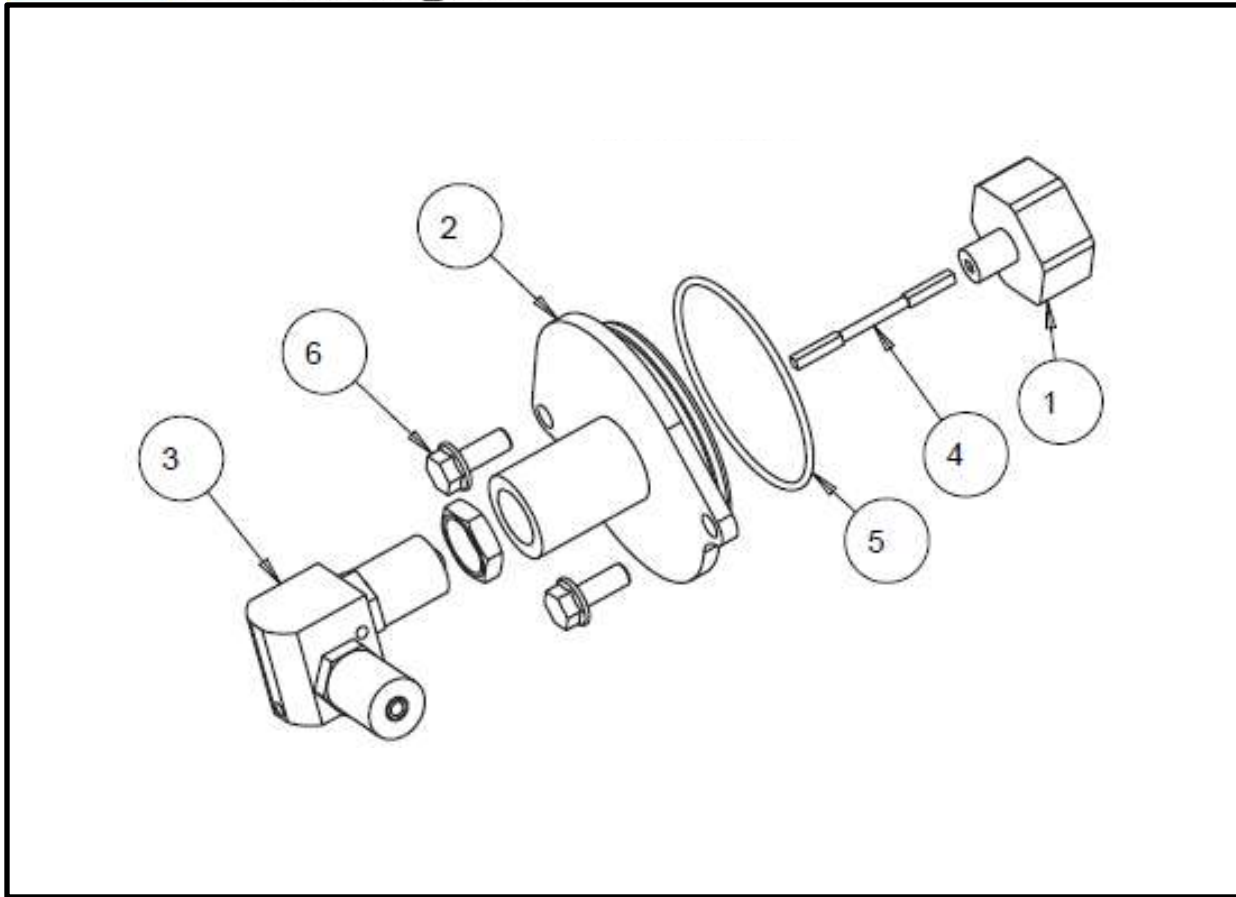
Power Take Off



| <u>Item</u> | <u>Qty</u> | <u>Part Number</u> | <u>Description</u> |
|-------------|------------|--------------------|------------------------------------|
| | | M353-517-01 | Kit, PTO Gear Drive Includes 1 - 7 |
| 1 | 1 | M353-510-250 | Cover |
| 2 | 1 | M353-510-249 | Flat Engine Gasket |
| 3 | 2 | M353-510-262 | Hexagon Bolt |
| 4 | 1 | M353-510-263 | Power Take Off |
| 5 | 2 | M353-510-264 | Hexagon Bolt |
| 6 | 1 | M353-510-265 | Flat Engine Gasket |
| 7 | 1 | M353-510-266 | Dowel Pin |



Dry Systems[®] Technologies Tachometer Drive Assembly



| Item | Part Number | Qty | Description |
|------|-------------|-----|--|
| 1 | M354-527-01 | 1 | Adapter, Tach Drive |
| 2 | M354-528-01 | 1 | Cover Asm., Tach Drive |
| 3 | M354-534-01 | 1 | Drive Joint Assembly, Right Angle Tach |
| 4 | M354-535-01 | 1 | Shaft, Square Flex |
| 5 | M354-536-01 | 1 | O-Ring, Size 151 |
| 6 | M600-198-01 | 2 | Bolt, Hex Flange Head - m8x1.25x20 |

Part Index

| Part No. | Description | Page No. |
|--------------|-------------------------------|-------------|
| M150-515-01 | Air Relay Valve | 51 |
| M150-516-01 | Lubricator | 51 |
| M150-517-01 | Filter, w/ manual drain | 51 |
| M150-530-01 | Washer, m8 Lock | 15,35,45,48 |
| M250-530-01 | Seal Washer | 2,28 |
| M250-544-01 | Valve, Diesel Engine Shutdown | 15 |
| M250-564-01 | Nut, m8 – 1.25P | 15 |
| M353-201-02 | Cover, Intake | 15 |
| M353-205-01 | Gasket, Intake Cover | 2,16 |
| M353-206-01 | Stud, Intake Cover | 15 |
| M353-207-01 | Complete Cylinder Head | 11 |
| M353-502-01 | Cylinder, Shutdown | 35 |
| M353-505-01 | Cyl, Head Gasket | 2,11 |
| M353-506-01 | Bracket | 35 |
| M353-507-11 | Fuel Pump | 26 |
| M353-510-01* | Valves Grind Set | 1,2 |
| M353-510-02 | Engine Gasket | 7 |
| M353-510-03 | Suction Strainer | 7 |
| M353-510-04 | Oil Sump Gasket | 7 |
| M353-510-05 | Oil Sump | 7 |
| M353-510-06 | Shaft Seal | 5 |
| M353-510-07 | Shaft Seal | 8 |
| M353-510-08 | O-Ring Ø75,87 MM SP=2, 62 MM | 8 |
| M353-510-09 | Seal Gasket | 2,10 |
| M353-510-10 | Hexagon Bolt M12x140 | 11 |
| M353-510-12 | Oil Filler Plug | 12 |
| M353-510-13 | Gasket | 2,12 |
| M353-510-14 | Hexagon Bolt M8X1 ,25 | 12 |
| M353-510-15 | Rubber Lug | 2,12 |
| M353-510-16 | Cyl. Head Cover | 12 |
| M353-510-17 | Cyl. Head Cover | 12 |
| M353-510-18 | Cyl. Head Cover | 12 |
| M353-510-19 | Head Cover Gasket | 2,12 |
| M353-510-20 | Hexagon Bolt M12X1 ,75 | 13 |
| M353-510-21 | Ring Gear | 9 |
| M353-510-23 | Engine Gasket | 27 |
| M353-510-24 | Nozzle Assy | 28 |
| M353-510-25 | Fuel Filter | 32,34 |
| M353-510-26 | Fuel Pump Assy | 30 |
| M353-510-27 | O-Ring | 30 |
| M353-510-28 | Injection Line Set Assy | 29 |
| M353-510-29 | Oil Filter Cartridge | 40 |
| M353-510-30 | Water Pump | 42 |

| Part No. | Description | Page No. |
|-----------------|--------------------------------|-----------------|
| M353-510-31 | Rubber Gasket | 42 |
| M353-510-32 | Thermostat Body | 48 |
| M353-510-33 | Rubber Gasket | 48 |
| M353-510-34 | Water Pump Belt | 45 |
| M353-510-35 | Oil Filter Support Assy | 40 |
| M353-510-36 | Threaded Union | 40 |
| M353-510-37 | Hose | 40 |
| M353-510-38 | Elbow Coupling | 40 |
| M353-510-40 | Stripped Engine | 3 |
| M353-510-41 | Screw Connector M8X1.25 | 4 |
| M353-510-42 | Plug Assembly M14X1,5 | 4 |
| M353-510-43 | O-Ring | 4 |
| M353-510-44 | Threaded Plug Assembly M10x1 | 4 |
| M353-510-45 | O-Ring | 4 |
| M353-510-46 | Threaded Plug Assembly M18x1,5 | 4 |
| M353-510-47 | O-Ring | 4 |
| M353-510-48 | Dowel Pin | 4 |
| M353-510-49 | Crankcase Assembly | 4 |
| M353-510-50 | Dowel Pin | 4,6,8 |
| M353-510-51 | Plug Ø17MM | 4 |
| M353-510-52 | Plug Ø58 MM | 4 |
| M353-510-53 | Plug Ø35 MM | 4 |
| M353-510-54 | Hexagon Bolt M12x120 MM | 4 |
| M353-510-55 | Camshaft Bearing | 4 |
| M353-510-56 | Lifter | 4 |
| M353-510-57 | Oil Nozzle Assembly | 4 |
| M353-510-58 | Hexagon Bolt M8x20 MM | 7 |
| M353-510-59 | Hexagon Bolt | 6,7 |
| M353-510-60 | O-Ring | 7 |
| M353-510-61 | Thread Plug M22x1 ,5 | 7 |
| M353-510-62 | Spacing Bar | 7 |
| M353-510-63 | Hexagon Bolt M10x120 MM | 7 |
| M353-510-64 | Hexagon Bolt | 7 |
| M353-510-65 | Front C. Case Cover | 5 |
| M353-510-66 | Hexagon Bolt | 5 |
| M353-510-67 | Hexagon Bolt M8x30 MM | 5 |
| M353-510-68 | Dowel Pin | 5 |
| M353-510-69 | Sealant | 5,8 |
| M353-510-70 | Hexagon Bolt | 6 |
| M353-510-71 | Hexagon Bolt | 6,50 |
| M353-510-72 | Timing Gear Housing Assembly | 6 |
| M353-510-73 | Spring Lockwasher | 6 |
| M353-510-74 | O-Ring | 6 |
| M353-510-75 | Shear Screw M5x17 MM | 6 |

| Part No. | Description | Page No. |
|-----------------|-----------------------------|-----------------|
| M353-510-76 | Locking Plate Assembly | 6 |
| M353-510-77 | O-Ring | 6 |
| M353-510-78 | Locking Plate | 6 |
| M353-510-79 | Plug | 6 |
| M353-510-80 | Hexagon Bolt M10X1, 5X80 MM | 8,25 |
| M353-510-81 | Hexagon Bolt M10X1, 5X40 MM | 8 |
| M353-510-82 | Plug Ø29 MM | 8 |
| M353-510-83 | O-Ring 3, 53x21 ,81 | 8 |
| M353-510-84 | Hexagon Bolt M12X80 MM | 8 |
| M353-510-85 | Hexagon Bolt | 8 |
| M353-510-86 | Hexagon Bolt M8X17 MM | 8,24 |
| M353-510-87 | Flywheel Housing | 8 |
| M353-510-88 | Cover | 8 |
| M353-510-89 | Cover Assembly | 8 |
| M353-510-90 | Hexagon Bolt M8X1.25X20 | 8 |
| M353-510-91 | Threaded Plug | 8 |
| M353-510-92 | Hexagon Bolt | 8 |
| M353-510-93 | Hexagon Bolt M10X40MM | 8 |
| M353-510-94 | Threaded Plug | 8 |
| M353-510-95 | Valve | 10 |
| M353-510-96 | Hexagon Bolt | 10 |
| M353-510-99 | Valve Cone | 11 |
| M353-510-100 | Exhaust Valve | 11 |
| M353-510-101 | Inlet Valve | 11 |
| M353-510-102 | Cap | 11 |
| M353-510-103 | Engine Valv.Spring | 11 |
| M353-510-104 | Spring Cap | 11 |
| M353-510-105 | Valve Seat Std. Exhaust | 11 |
| M353-510-106 | Lock Plug | 11 |
| M353-510-107 | Valve Seat Std. Intake | 11 |
| M353-510-108 | Plug | 11 |
| M353-510-109 | Centering Ring | 12 |
| M353-510-110 | Screw | 12 |
| M353-510-111 | Rocker Shaft Assy | 13 |
| M353-510-112 | Pushrod | 13 |
| M353-510-113 | Hexagon Bolt M8X1 ,25X60 MM | 13 |
| M353-510-114 | Circlip | 13 |
| M353-510-115 | Washer | 13 |
| M353-510-116 | Rocker Arm Assy | 13 |
| M353-510-117 | Ball-End Pin | 13 |
| M353-510-118 | Hexagon Nut | 13 |
| M353-510-119 | Rocker Arm Screw | 13 |
| M353-510-120 | Rocker Arm Assy | 13 |
| M353-510-121 | Rocker Bracket | 13 |

| Part No. | Description | Page No. |
|-----------------|---|-----------------|
| M353-510-125 | Crankshaft | 20 |
| M353-510-126 | Camshaft Pinion | 20 |
| M353-510-127 | Main Bearing STD. | 20 |
| M353-510-128 | Main Bearing-0,250 | 20 |
| M353-510-129 | Main Bearing-0,500 | 20 |
| M353-510-130 | Main Bearing-0,250 Thrust | 20 |
| M353-510-131 | Main Bearing STD. Thrust | 20 |
| M353-510-132 | Main Bearing-0,500 Thrust | 20 |
| M353-510-133 | Dowel Pin | 20 |
| M353-510-134 | Conn.Rod Assy. Assy | 21 |
| M353-510-135 | Big-End Bush | 21 |
| M353-510-136 | Cylind-Head Screw | 21 |
| M353-510-137 | Con.Rod Bear STD. | 21 |
| M353-510-138 | Con.Rod Bear-0,250 | 21 |
| M353-510-139 | Con.Rod Bear-0,500 | 21 |
| M353-510-140 | Piston Ring Set STD | 22 |
| M353-510-141 | Piston Assy | 22 |
| M353-510-142 | Piston Pin | 22 |
| M353-510-143 | Spring Lockwasher | 22 |
| M353-510-144 | Piston Ring Set +0.4 | 22 |
| M353-510-145 | Piston Assy. +0.4 | 22 |
| M353-510-147 | Flywheel Assy Clark 20000 (on M500-256-11 engine) | 9 |
| M353-510-148 | Hexagon Bolt M12x1 ,25 | 9 |
| M353-510-149 | Crankshaft pulley | 23 |
| M353-510-150 | Screw M12x1 ,5 | 23 |
| M353-510-151 | Spacing Bar | 23 |
| M353-510-152 | Support Assy | 25 |
| M353-510-153 | Washer | 25 |
| M353-510-154 | Bush Assy | 25 |
| M353-510-155 | Gear | 25 |
| M353-510-156 | Gear | 25 |
| M353-510-157 | Hexagon Bolt | 25 |
| M353-510-158 | Socket-Head Screw | 25 |
| M353-510-159 | Shaft | 25 |
| M353-510-160 | Shaft Assy | 25 |
| M353-510-161 | Hexagon Bolt | 25 |
| M353-510-162 | Spring Lockwasher | 25 |
| M353-510-163 | Hexagon Bolt | 24 |
| M353-510-164 | Camshaft Pinion | 24 |
| M353-510-165 | Yoke | 24 |
| M353-510-166 | Camshaft Assy | 24 |
| M353-510-167 | Dowel Pin | 24 |
| M353-510-168 | Camshaft Pinion | 24 |
| M353-510-169 | Inj. Pump Drive Gear | 27 |

| Part No. | Description | Page No. |
|-----------------|---------------------------|-----------------|
| M353-510-170 | Stud M8x30 MM (8.8) | 27 |
| M353-510-171 | Nut M8 | 27 |
| M353-510-172 | Seal Gasket | 2 |
| M353-510-172 | Seal Gasket | 28 |
| M353-510-173 | Fuel Nozzle | 28 |
| M353-510-174 | Washer | 28 |
| M353-510-175 | Screw Connector M6x1 | 28 |
| M353-510-178 | Hexagon Bolt M8x25 MM | 34 |
| M353-510-182 | Hexagon Bolt M8x25 MM | 30 |
| M353-510-185 | Fastening Bracket | 29 |
| M353-510-186 | Fastening Bracket | 29 |
| M353-510-187 | Fastening Bracket | 29 |
| M353-510-188 | Fastening Bracket | 29 |
| M353-510-189 | Fastening Bracket | 29 |
| M353-510-190 | Fastening Bracket | 29 |
| M353-510-191 | Hexagon Bolt | 29 |
| M353-510-201 | Plug | 37 |
| M353-510-202 | Plug Assy M12x1 ,5 | 37 |
| M353-510-203 | O-Ring | 37 |
| M353-510-204 | Plug | 38 |
| M353-510-205 | O-Ring Dia 17 ,12 SP 2,62 | 38 |
| M353-510-206 | Oil Filler Plug | 38 |
| M353-510-207 | Hexagon Bolt M6x18 MM | 38 |
| M353-510-208 | Lube Oil Pump | 39 |
| M353-510-209 | Hexagon Bolt | 39 |
| M353-510-213 | Bracket | 18 |
| M353-510-215 | Hexagon Bolt M12x25 MM | 53 |
| M353-510-223 | Hexagon Bolt M8x35 MM | 41 |
| M353-510-224 | Threaded Plug | 41 |
| M353-510-225 | Valve Housing | 41 |
| M353-510-226 | Valve Spring | 41 |
| M353-510-227 | O-Ring | 41 |
| M353-510-228 | Valve | 41 |
| M353-510-229 | Heat Exchanger Body Assy | 41 |
| M353-510-230 | Oil Cooler | 41 |
| M353-510-231 | Engine Gasket | 41 |
| M353-510-232 | Engine Gasket | 41 |
| M353-510-233 | Threaded Union | 40,41 |
| M353-510-234 | Threaded Plug Assy | 41 |
| M353-510-235 | O-Ring | 41 |
| M353-510-236 | Hexagon Bolt | 42 |
| M353-510-237 | Hexagon Bolt M10x80 MM | 43 |
| M353-510-238 | Washer | 43 |
| M353-510-239 | General Support Assy | 43 |

| Part No. | Description | Page No. |
|-----------------|--|-----------------|
| M353-510-240 | Dowel Pin | 43 |
| M353-510-241 | Lock Plug M22x1 ,5 | 43 |
| M353-510-242 | Threaded Plug | 46,47 |
| M353-510-243 | Threaded Plug M16x1 ,5 MM Assy | 44 |
| M353-510-244 | O-Ring Ø13,9 MM SP=2,6 MM | 44 |
| M353-510-245 | Hitch Lug Modified | 48 |
| M353-510-246 | Hexagon Bolt | 48 |
| M353-510-248 | Rubber Gasket | 49 |
| M353-510-249 | Engine Gasket | 53 |
| M353-510-250 | Cover | 53 |
| M353-510-251 | Hitch Lug | 50 |
| M353-510-253 | Support | 40 |
| M353-510-254 | O-Ring Ø59, 92mm SP=3,53 mm | 40 |
| M353-510-255 | Threaded Union | 40 |
| M353-510-256 | Fastening Bracket | 40 |
| M353-510-258 | Long Dipstick | 37 |
| M353-510-259 | Thermostat Assy | 49 |
| M353-510-260 | Oil Line | 18 |
| M353-513-01 | Lug, Lifting | 48 |
| M353-514-01 | Bracket, Fuel Filter | 32 |
| M353-515-01 | Return Line Assembly – Complete Piping | 33 |
| M353-516-01 | Fuel Filt. Support Assy | 34 |
| M354-208-03 | Turbocharger – 72 degree | 17 |
| M354-208-25 | Gasket, Turbo | 2,17 |
| M354-209-01 | Manifold, Iveco N45 Water Cooled | 17 |
| M354-209-20 | Gasket, Exhaust Manifold | 2,17 |
| M354-228-01 | Adapter Asm., Intake | 16 |
| M354-234-02 | Bracket, Intake Support | 15 |
| M354-235-01 | Spacer | 15 |
| M354-237-02 | Intake Assembly | 14 |
| M354-257-01 | Fastening Bracket | 18 |
| M354-270-01 | Tube Assembly | 18 |
| M354-271-01 | Tube Asm | 32 |
| M354-272-01 | Tube Asm | 32 |
| M354-273-01 | Tube Asm | 31 |
| M354-510-01 | Gasket, Flame Arrestor | 2,16 |
| M354-511-01 | Bracket, Belt Tensioner | 45 |
| M354-521-01 | Throttle Cylinder | 35 |
| M354-523-01 | Air Starter | 51 |
| M354-523-02 | Air Muffler | 51 |
| M354-527-01 | Adapter, Tach Drive | 54 |
| M354-528-01 | Cover Asm., Tach Drive | 54 |
| M354-531-01 | Rod End | 35 |
| M354-534-01 | Drive Joint Assembly, Right Angle Tach | 54 |

| Part No. | Description | Page No. |
|-----------------|--|-----------------|
| M354-535-01 | Shaft, Square Flex | 54 |
| M354-536-01 | O-Ring, Size 151 | 54 |
| M500-256-21 | Engine Complete (w/ Clark 20,000 Flywheel) | 1 |
| M506-555-01 | Pulley, Single A | 45 |
| M509-585-01 | Belt Tensioner | 45 |
| M509-598-01 | Support, Fan | 45 |
| M510-503-01 | Air Transfer Pipe | 19 |
| M510-503-02 | V Band Clamp | 19 |
| M510-503-03 | O Ring | 2,19 |
| M510-516-01 | Elbow | 18,31 |
| M510-520-01 | Adapter | 18 |
| M510-520-02 | Seal Washer | 18,30,32 |
| M510-522-01 | Elbow | 30,32 |
| M510-523-01 | Elbow | 30,32 |
| M510-524-01 | Adapter | 31 |
| M510-525-01 | Copper Seal Washer | 31 |
| M510-526-01 | Bleeder Valve | 35 |
| M510-542-01 | Lock Wire 3 feet | 15 |
| M600-123-01 | Washer, 3/8" lock | 16,17,52 |
| M600-124-01 | Bolt, 3/8-16x1.25 HHCS | 16,17,52 |
| M600-127-01 | 1/4 -28 Nut | 35 |
| M600-134-01 | Washer, m10 Lock | 17 |
| M600-150-01 | Bolt, m10x1.5x100 HHCS | 17 |
| M600-151-01 | M8x25mm HHCS | 35 |
| M600-154-01 | Stud, m5x.8Px60 mm grade 8.8 | 16 |
| M600-155-01 | Nut, m5x0.8P | 16 |
| M600-156-01 | Washer, m5 Lock | 16 |
| M600-162-01 | Capscrew, m8x1.25Px25 mm Flange Head | 16 |
| M600-168-01 | Bolt, m8x1.25x40 mm HHCS | 15 |
| M600-169-01 | Bolt, Hex Flange Head – m8x1.25x75 | 45 |
| M600-170-01 | Bolt, Hex Flange Head – m8x1.25x35 | 45 |
| M600-171-01 | Bolt, Hex Flange Head – m10x1.50x75 | 45 |
| M600-177-01 | Bolt, m8x1.25x30 HHCS | 45 |
| M600-191-01 | Hexagon Bolt 1/4 – 20 x 1/2" | 18 |
| M600-192-01 | Hexagon Bolt M12x20 mm | 18 |
| M600-193-01 | Hexagon Nut 1/4 - 20 | 18 |
| M600-194-01 | #10 x 3/4 Pan Head Phillips | 35 |
| M600-195-01 | #10 Nut | 35 |
| M600-196-01 | 1/4 – 28 Lock Nut | 35 |
| M600-197-01 | Bolt | 48 |
| M600-198-01 | Bolt, Hex Flange Head - m8x1.25x20 | 54 |
| M600-508-01 | Plug, 1/8" hex socket pipe | 15 |
| M600-730-01 | Hose Clamp | 18 |
| M600-734-01 | Hose | 18 |

| Part No. | Description | Page No. |
|-----------------|-----------------------------|-----------------|
| M600-821-01 | Breather | 35 |
| M600-842-01 | Male Connector | 16 |
| M601-519-01 | Elbow, 45° | 18 |
| M90-467-01 | Elbow | 35 |
| M98-501-11 | Flame Arrestor, 5" – 0.038" | 16 |