



Dry Systems[®] Technologies

Technology for a cleaner environment

FPT N45 – Parts Catalog

M500-258-11

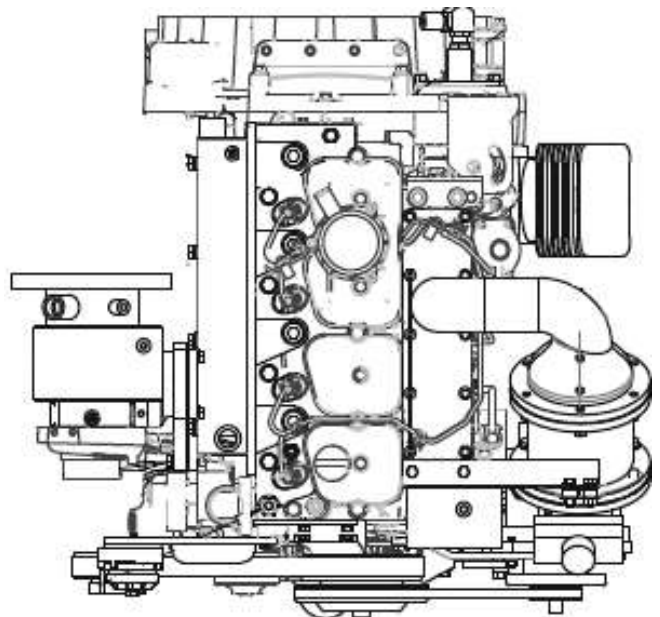
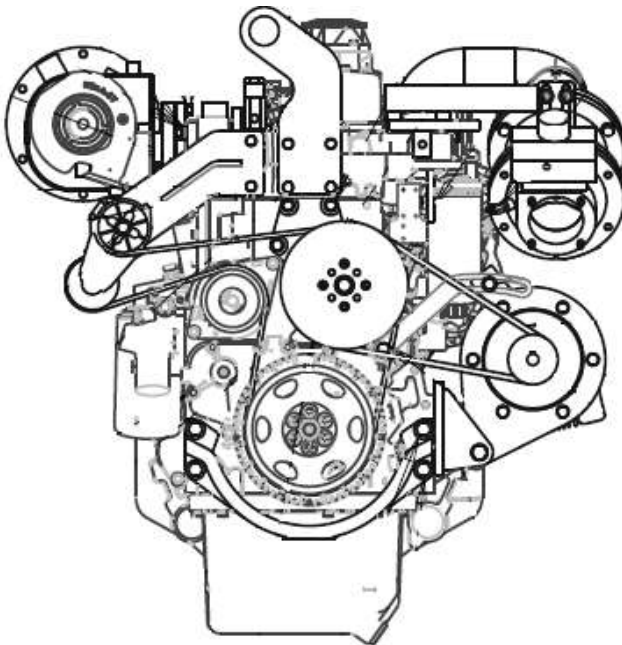
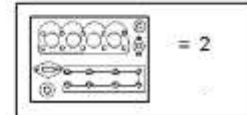
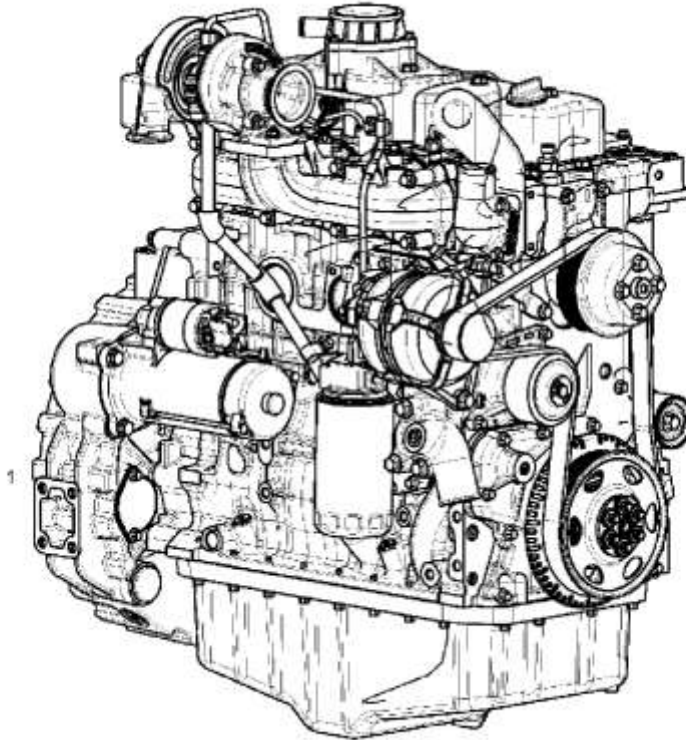


Table of Contents

	Page No.		Page No.
Air Compressor.....	36	Injector.....	28
Alternator	52	Injector Pipes	29
Alternator Mounting	52	Lifting Lug	48, 50
Air Transfer Pipe	19	Lube Oil Pump.....	39
Air Intake Assembly.....	14, 15, 16	Oil Dipstick Pipe	38
Balancers	25	Oil Filler	37
C. Case Cover, Front	5	Oil Filter, Remote	40
C. Case Cover, Rear	6	Oil Level Dipstick.....	37
Camshaft.....	24	Oil Sump.....	7
Connecting Rod	21	Piston Assembly	22
Crankcase	4	Power Take Off	53
Crankshaft Assembly.....	20	Plumbing, Turbocharger.....	18
Cylinder Block.....	3	Rocker Shaft.....	13
Cylinder Head.....	11	Shutdown Cylinder	35
Cylinder Head Plugs	46, 47	Starter Motor	51
Engine Breather	10	Tachometer Drive.....	54
Engine Oil Heat Exchanger.....	41	Thermostat.....	49
Exhaust Manifold.....	17	Water Housing	48
Exhaust Manifold Mounting.....	17	Throttle Cylinder	35
Flywheel.....	9	Timing Parts	24
Flywheel Housing.....	8	Turbocharger.....	17
Flywheel Mounting.....	9	Valve Cover.....	12
Fuel Filter	34	Valve Grind Set	2
Fuel Filter Piping	32	Vibration Damper.....	23
Fuel Filter - Return Lines	33	Water Lines	44
Fuel Injection Pump.....	26	Water Pipe	43
Fuel Piping - LDA.....	31	Water Pump.....	42
Fuel Pump	30	Water Pump Drive	45
Injection Pump Drive	27	Part Number Index.....	A-1



Item	Part Number	Qty	Description
1	M500-258-11*	1	Engine Complete (w/ SAE 11 1/2 Flywheel)
2	M353-510-01*	1	Valves Grind Set

*Bill of Materials on follow up pages



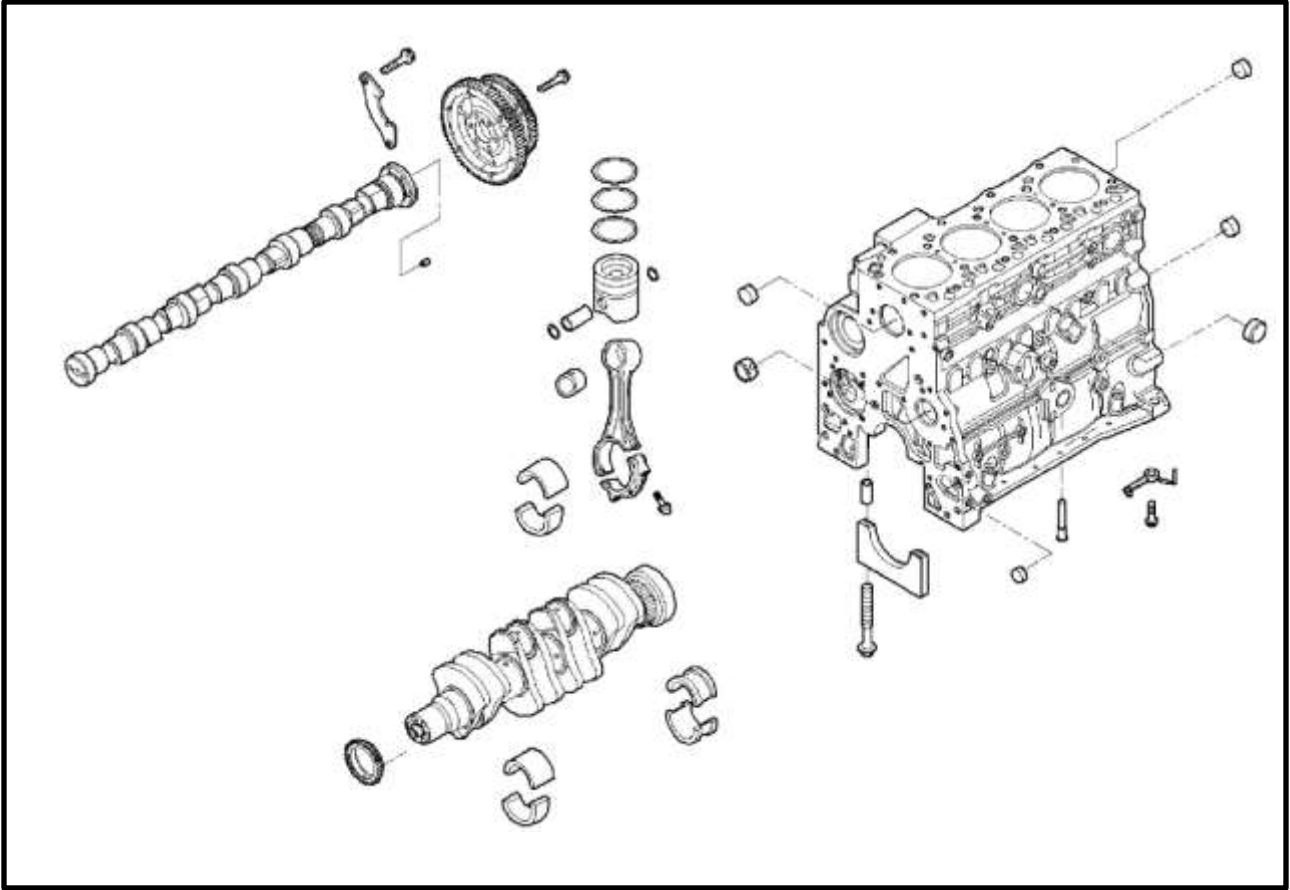
**Dry Systems[®]
Technologies**

M353-510-01 Valves Grind Set

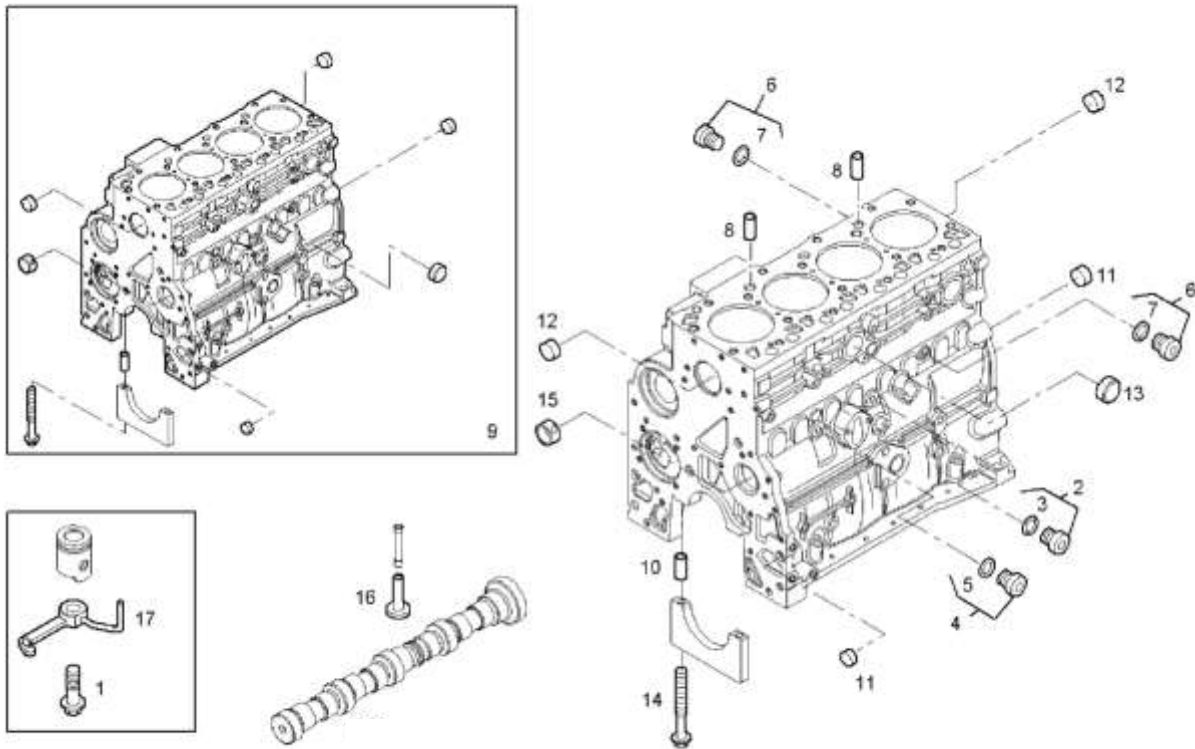
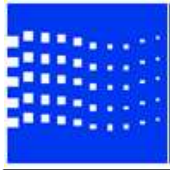
Part Number	Qty	Description
M353-505-01	1	Cyl, Head Gasket
M353-510-13	1	Gasket
M353-510-172	4	Seal Gasket
M353-510-15	5	Rubber Lug
M353-510-19	4	Head Cover Gasket
M353-510-09	1	Seal Gasket
M250-530-01	4	Seal Washer
M353-205-01	1	Gasket, Intake Cover
M354-510-01	1	Gasket, Flame Arrestor
M354-208-25	1	Gasket, Turbo
M354-209-20	4	Gasket, Exhaust Manifold
M510-503-03	1	O Ring



Stripped Engine



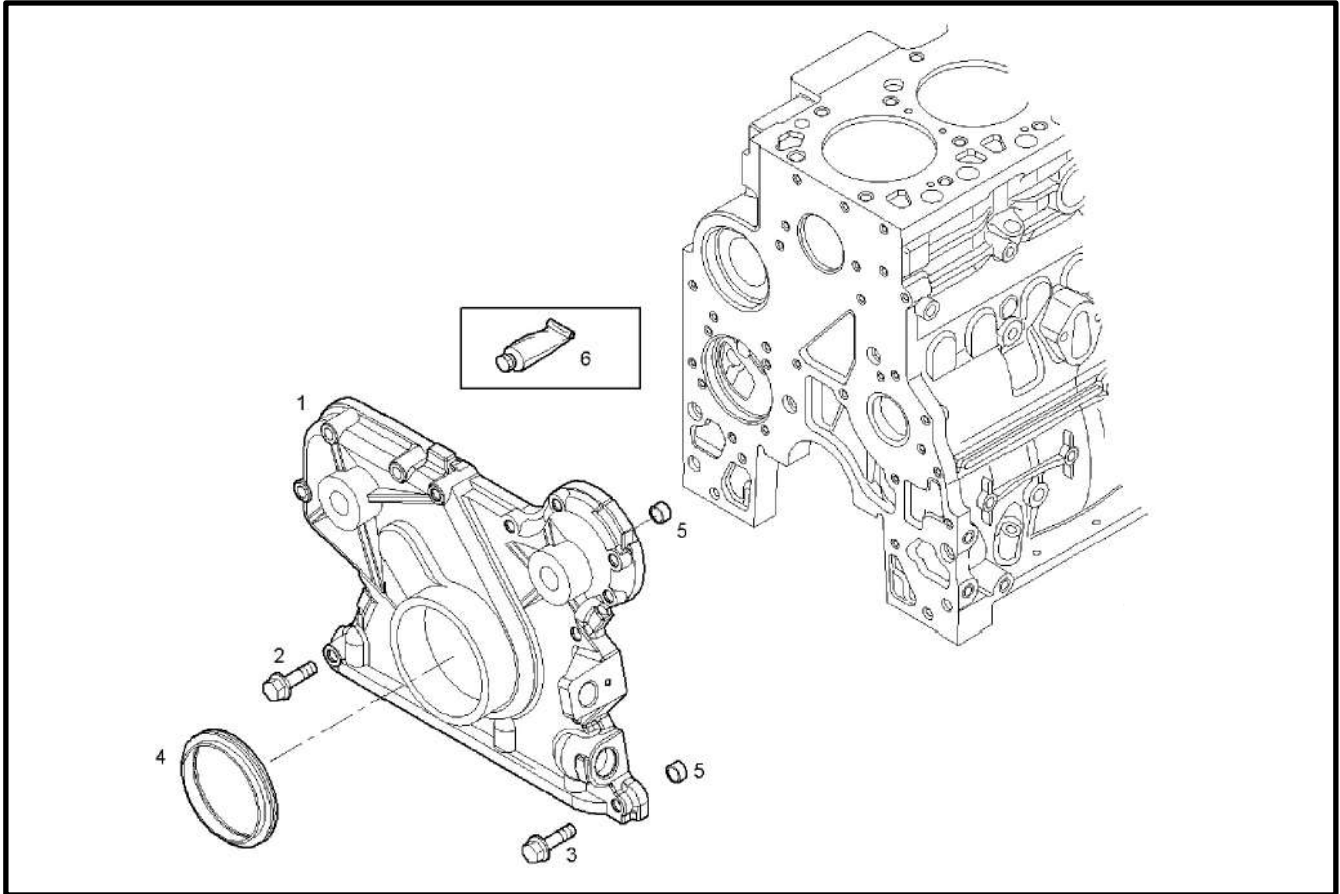
Item	Part Number	Qty	Description
1	M353-510-40	1	Stripped Engine



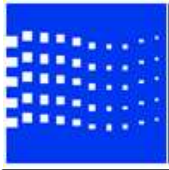
Item	Part Number	Qty	Description
1	M353-510-41	4	Screw Connector M8X1.25
2	M353-510-42	1	Plug Assembly M14X1,5
3	M353-510-43	1	O-Ring
4	M353-510-44	1	Threaded Plug Assembly M10x1
5	M353-510-45	1	O-Ring
6	M353-510-46	2	Threaded Plug Assembly M18x1,5
7	M353-510-47	2	O-Ring
8	M353-510-48	2	Dowel Pin
9	M353-510-49	1	Crankcase Assembly
10	M353-510-50	10	Dowel Pin
11	M353-510-51	3	Plug Ø17MM
12	M353-510-52	4	Plug Ø58 MM
13	M353-510-53	2	Plug Ø35 MM
14	M353-510-54	10	Hexagon Bolt M12x120 MM
15	M353-510-55	1	Camshaft Bearing
16	M353-510-56	8	Lifter
17	M353-510-57	4	Oil Nozzle Assembly



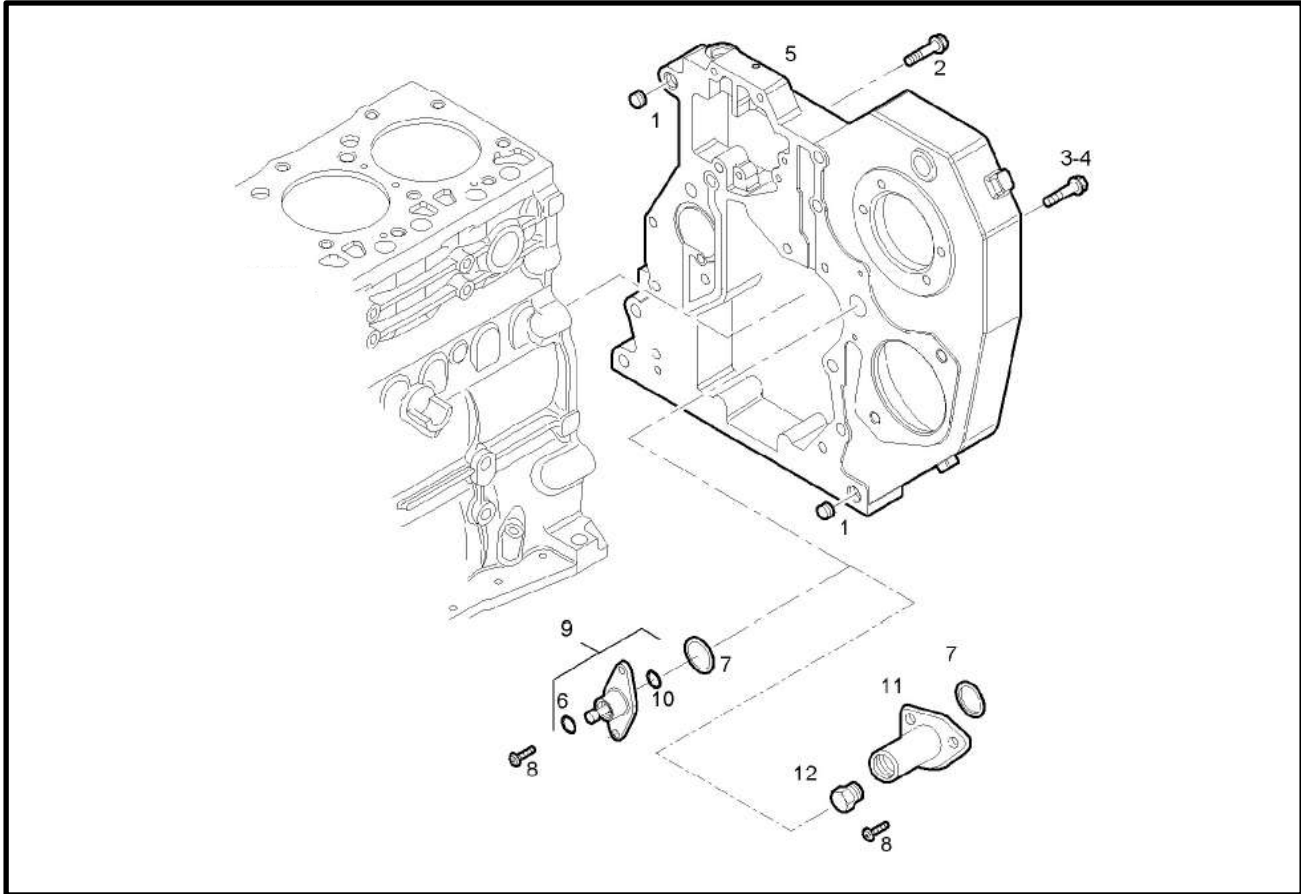
Front C. Case Cover



Item	Part Number	Qty	Description
1	M353-510-65	1	Front C. Case Cover
2	M353-510-66	5	Hexagon Bolt
3	M353-510-67	8	Hexagon Bolt M8x30 MM
4	M353-510-06	1	Shaft Seal
5	M353-510-68	2	Dowel Pin
6	M353-510-69	1	Sealant



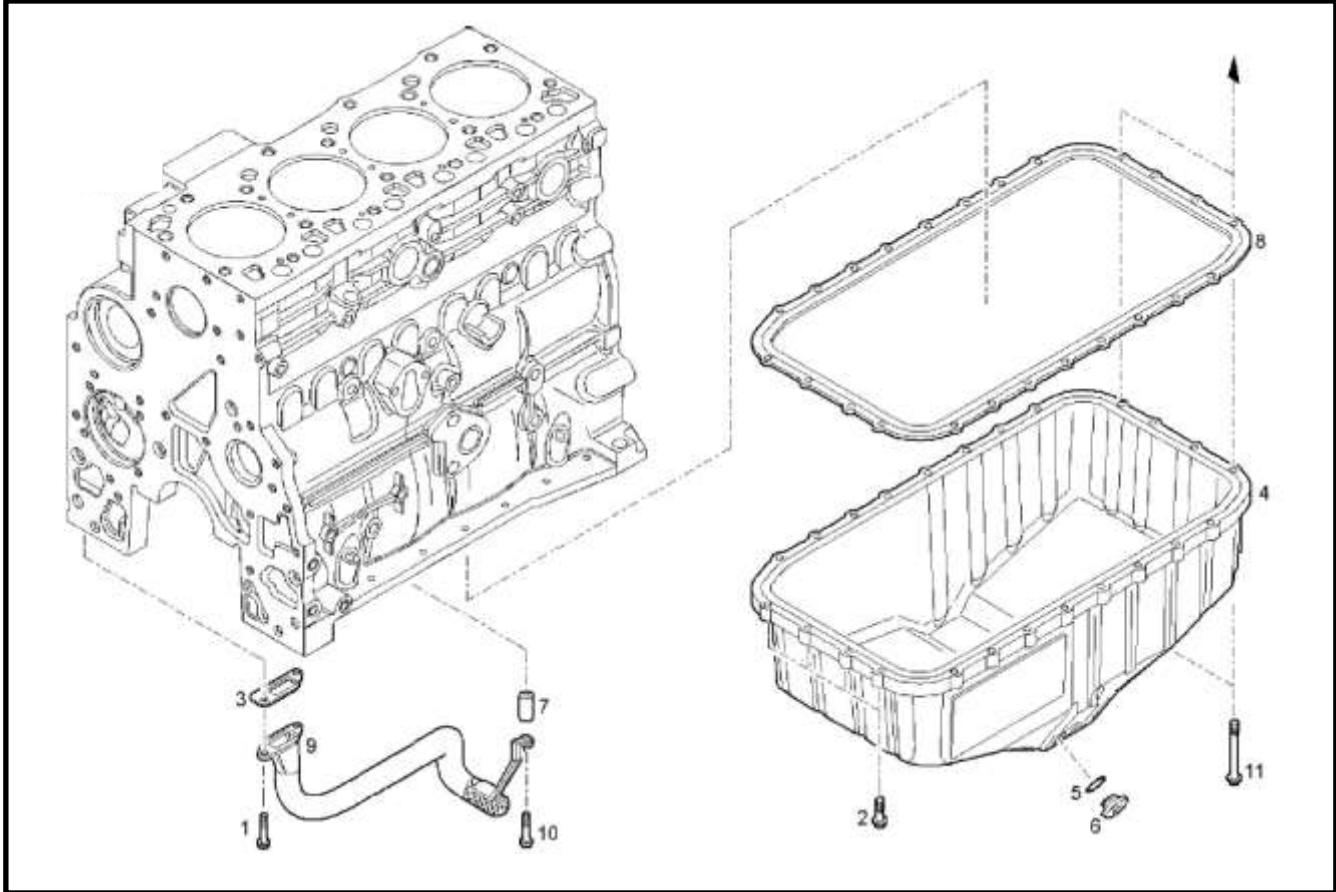
Rear C. Case Cover



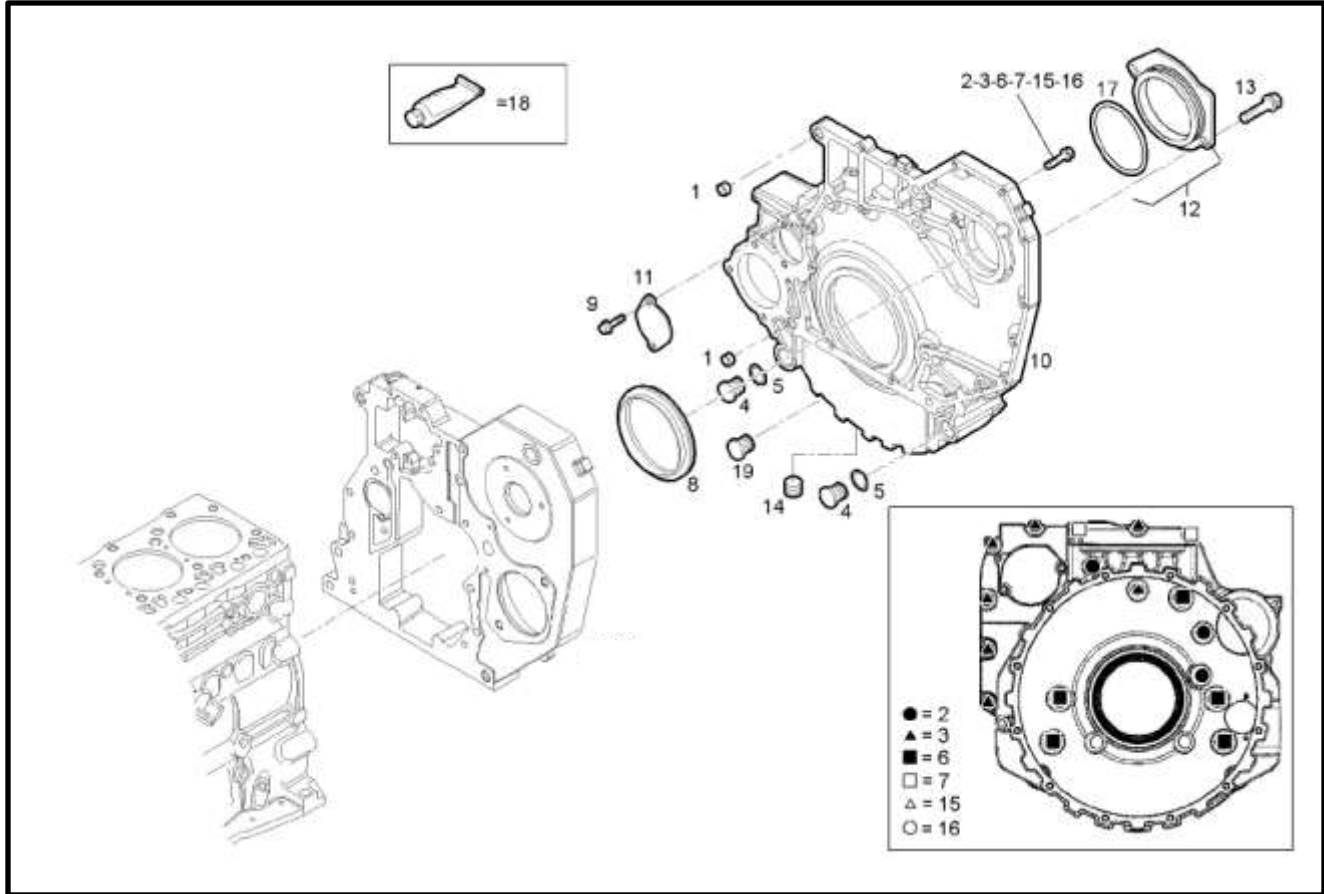
Item	Part Number	Qty	Description
1	M353-510-50	2	Dowel Pin
2	M353-510-59	4	Hexagon Bolt
3	M353-510-70	5	Hexagon Bolt
4	M353-510-71	2	Hexagon Bolt
5	M353-510-72	1	Timing Gear Housing Assembly
6	M353-510-73	1	Spring Lockwasher
7	M353-510-74	1	O-Ring
8	M353-510-75	2	Shear Screw M5x17 MM
9	M353-510-76	1	Locking Plate Assembly
10	M353-510-77	1	O-Ring
11	M353-510-78	1	Locking Plate
12	M353-510-79	1	Plug



Oil Sump



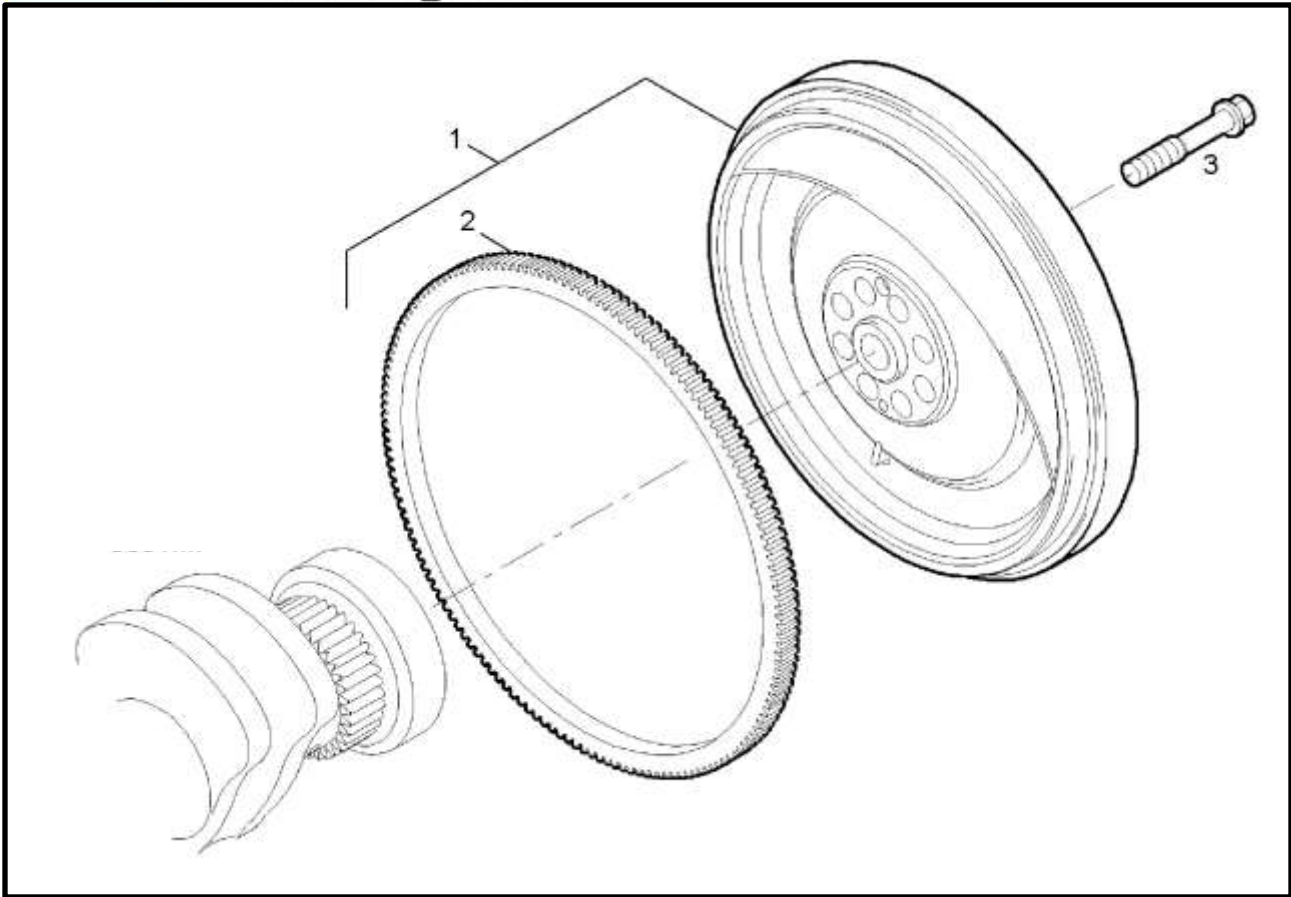
Item	Part Number	Qty	Description
1	M353-510-58	2	Hexagon Bolt M8x20 MM
2	M353-510-59	22	Hexagon Bolt
3	M353-510-02	1	Engine Gasket
4	M353-510-05	1	Oil Sump
5	M353-510-60	1	O-Ring
6	M353-510-61	2	Thread Plug M22x1 ,5
7	M353-510-62	1	Spacing Bar
8	M353-510-04	1	Oil Sump Gasket
9	M353-510-03	1	Suction Strainer
10	M353-510-63	1	Hexagon Bolt M10x120 MM
11	M353-510-64	2	Hexagon Bolt



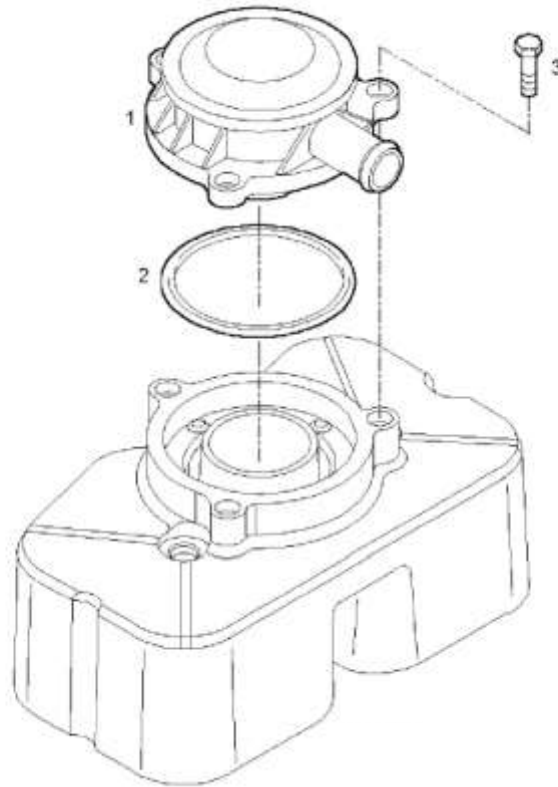
Item	Part Number	Qty	Description
1	M353-510-50	2	Dowel Pin
2	M353-510-80	3	Hexagon Bolt M10X1, 5X80 MM
3	M353-510-81	7	Hexagon Bolt M10X1, 5X40 MM
4	M353-510-82	2	Plug Ø29 MM
5	M353-510-83	2	O-Ring 3, 53x21 ,81
6	M353-510-84	5	Hexagon Bolt M12X80 MM
7	M353-510-85	2	Hexagon Bolt
8	M353-510-07	1	Shaft Seal
9	M353-510-86	2	Hexagon Bolt M8X17 MM
10	M353-510-87	1	Flywheel Housing
11	M353-510-88	1	Cover
12	M353-510-89	1	Cover Assembly
13	M353-510-90	2	Hexagon Bolt M8X1.25X20
14	M353-510-91	1	Threaded Plug
15	M353-510-92	1	Hexagon Bolt
16	M353-510-93	2	Hexagon Bolt M10X40MM
17	M353-510-08	1	O-Ring Ø75,87 MM SP=2, 62 MM
18	M353-510-69	1	Sealant
19	M353-510-94	1	Threaded Plug



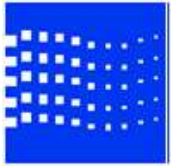
Engine Flywheel



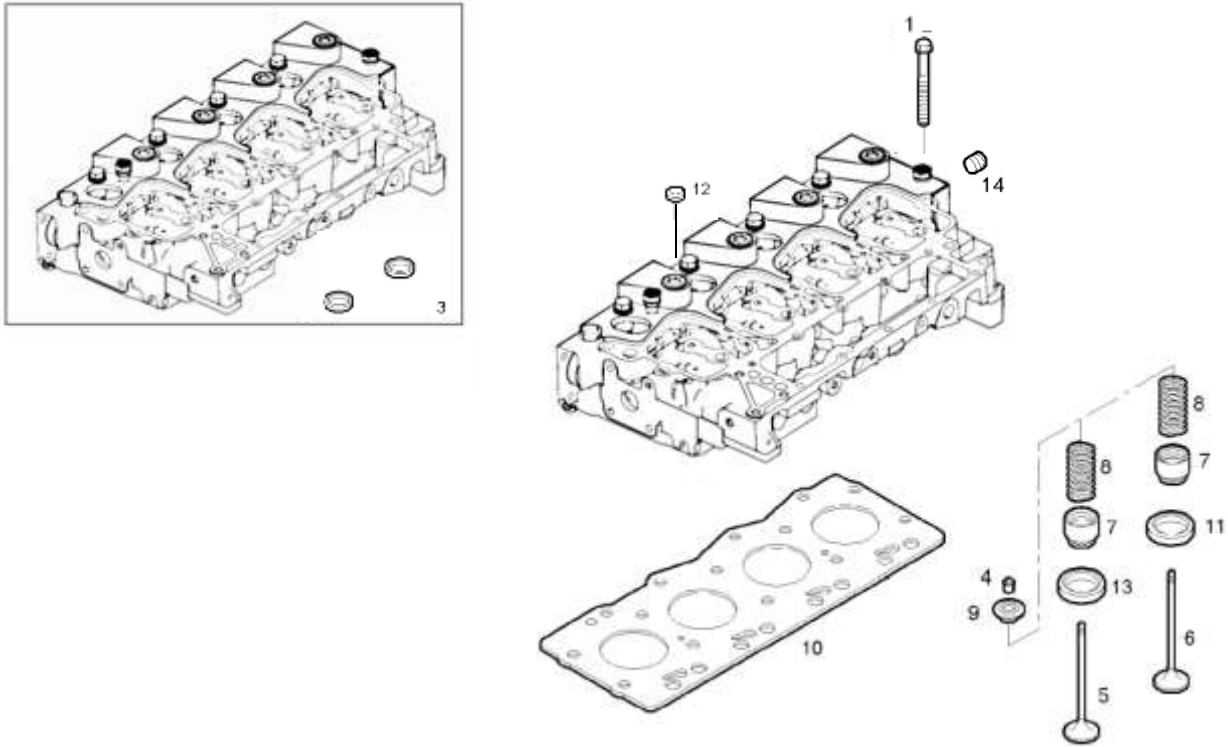
Item	Part Number	Qty	Description
1	M353-510-146	1	Flywheel Assy SAE 11 1/2 (on M500-258-11 engine)
2	M353-510-21	1	Ring Gear
3	M353-510-148	8	Hexagon Bolt M12x1 ,25



Item	Part Number	Qty	Description
1	M353-510-95	1	Valve
2	M353-510-09	1	Seal Gasket
3	M353-510-96	3	Hexagon Bolt



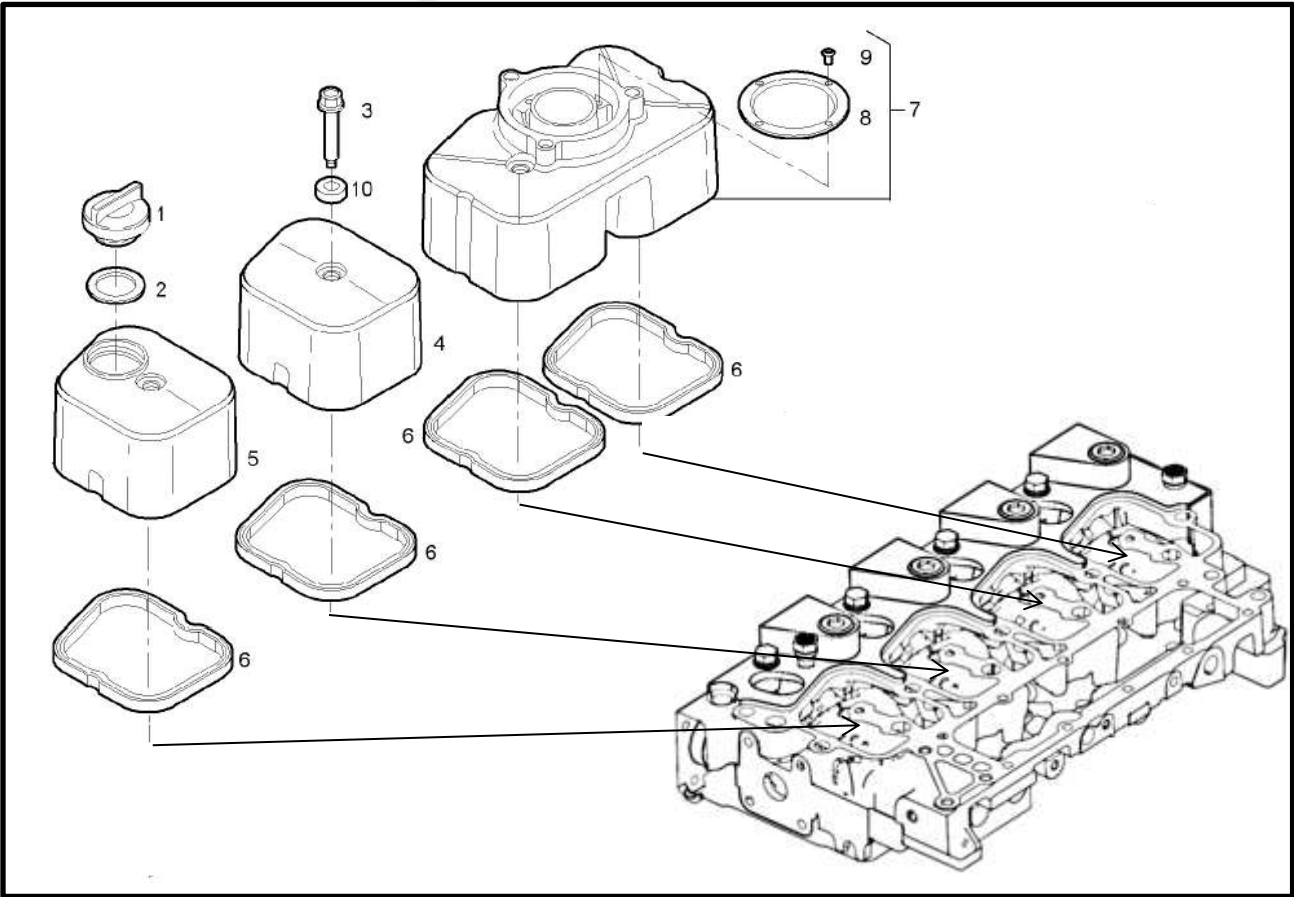
Cylinder Head



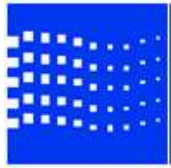
Item	Part Number	Qty	Description
1	M353-510-10	14	Hexagon Bolt M12x140
3	M353-207-01	1	Complete Cylinder Head
4	M353-510-99	16	Valve Cone
5	M353-510-100	4	Exhaust Valve
6	M353-510-101	4	Inlet Valve
7	M353-510-102	8	Cap
8	M353-510-103	8	Engine Valv.Spring
9	M353-510-104	8	Spring Cap
10	M353-505-01	1	Cyl. Head Gasket
11	M353-510-105	4	Valve Seat Std. Exhaust
12	M353-510-106	3	Lock Plug
13	M353-510-107	4	Valve Seat Std. Intake
14	M353-510-108	1	Plug



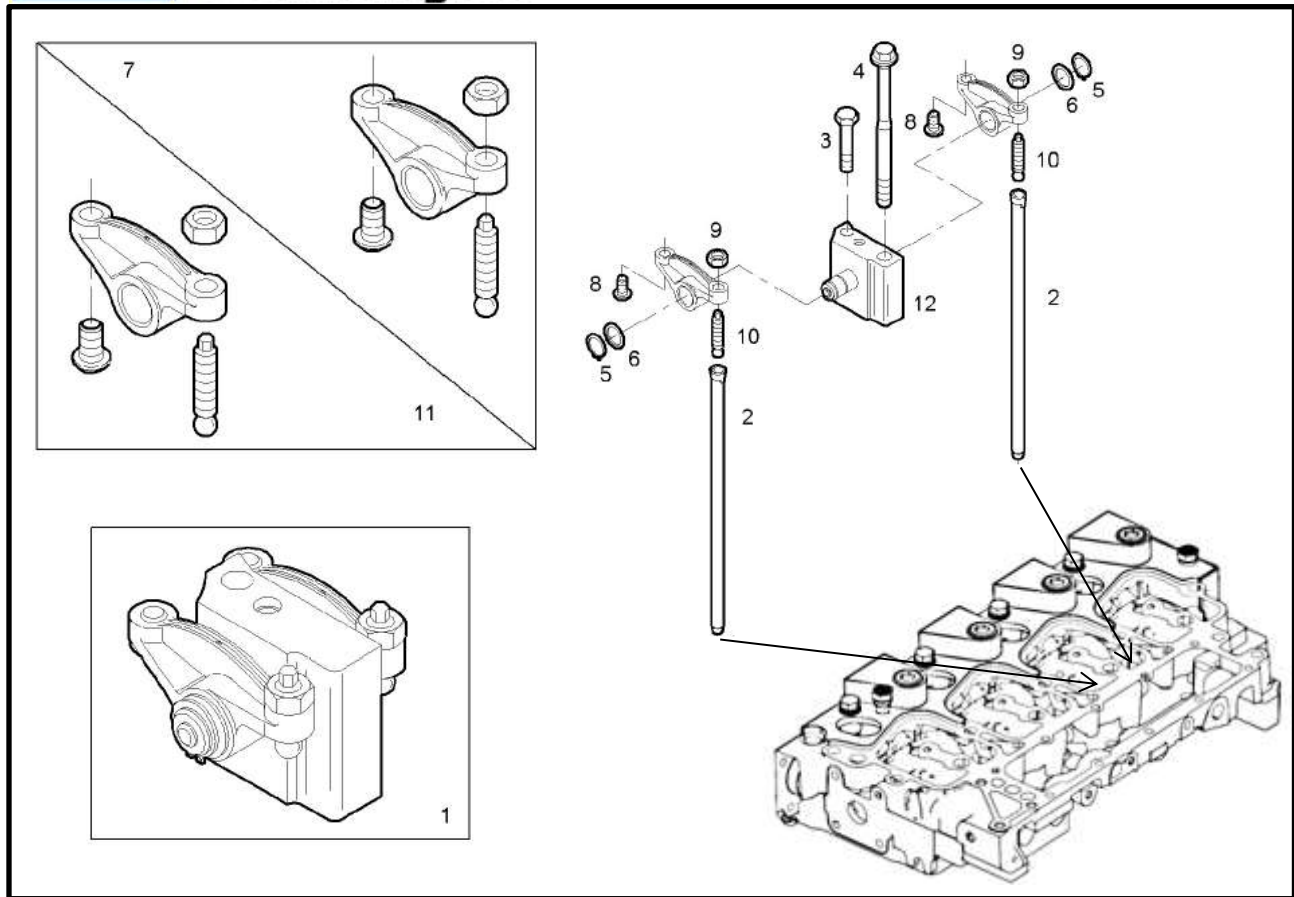
Cylinder Head Covers



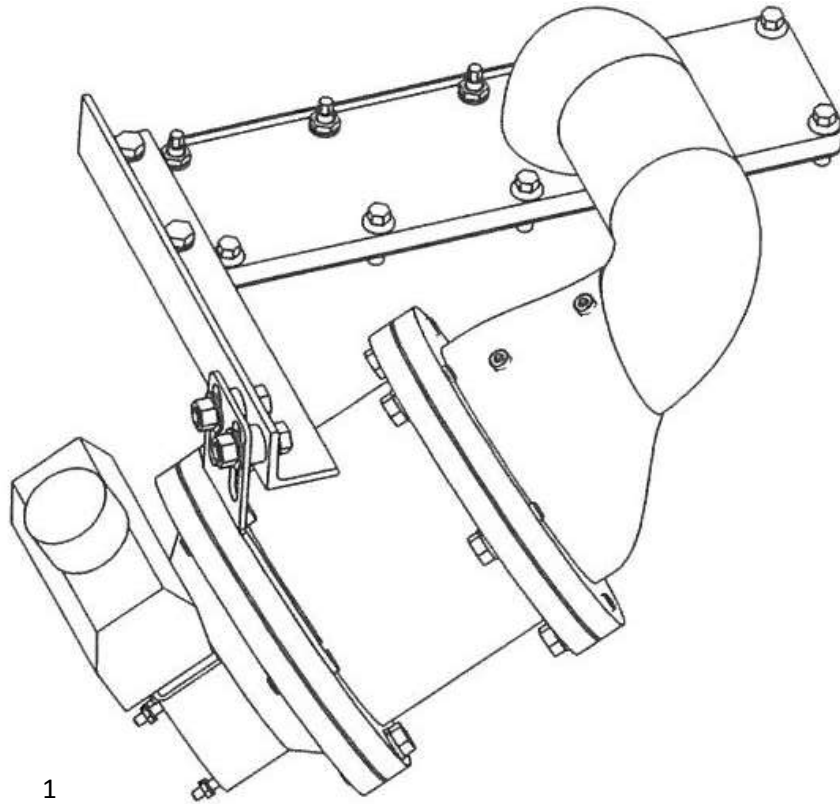
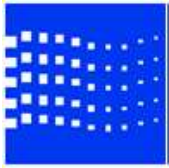
Item	Part Number	Qty	Description
1	M353-510-12	1	Oil Filler Plug
2	M353-510-13	1	Seal Gasket
3	M353-510-14	4	Hexagon Bolt M8X1,25
4	M353-510-16	1	Cyl. Head Cover
5	M353-510-17	1	Cyl. Head Cover
6	M353-510-19	4	Head Cover Gasket
7	M353-510-18	1	Cyl. Head Cover
8	M353-510-109	1	Centering Ring
9	M353-510-110	4	Screw
10	M353-510-15	4	Rubber Lug



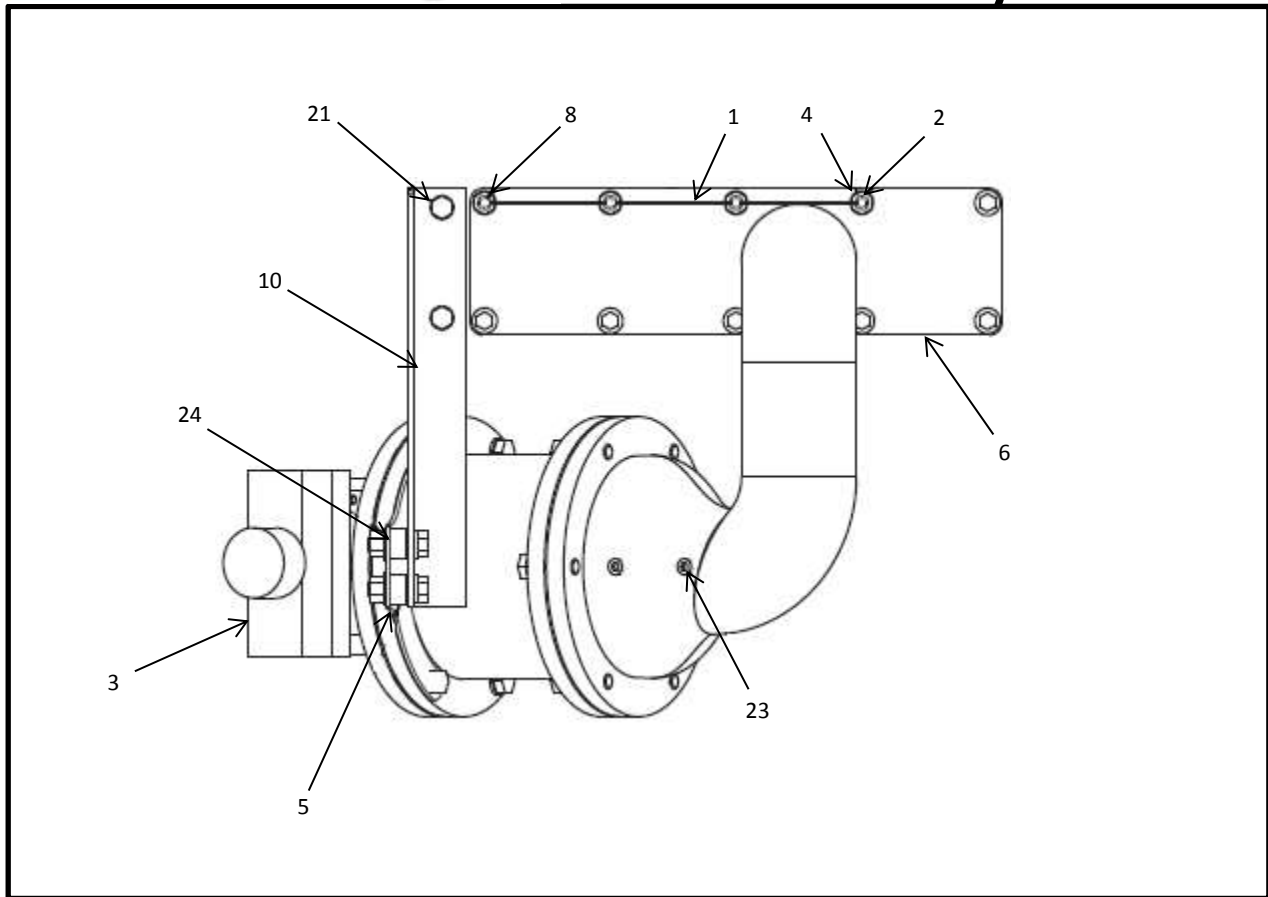
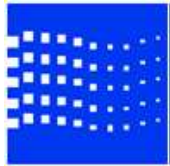
Rocker Shaft



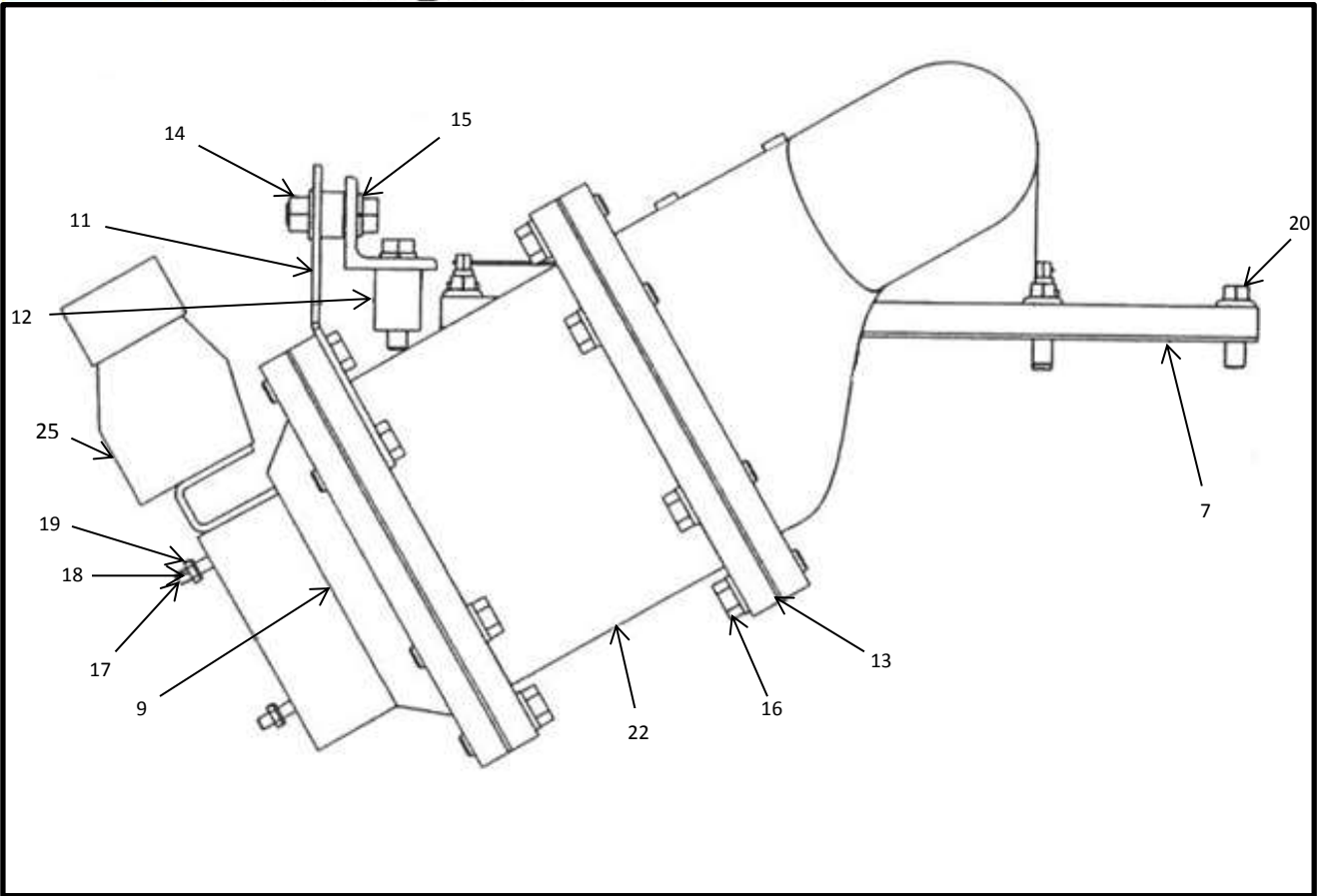
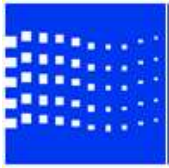
Item	Part Number	Qty	Description
1	M353-510-111	4	Rocker Shaft Assy
2	M353-510-112	8	Pushrod
3	M353-510-113	4	Hexagon Bolt M8X1 ,25X60 MM
4	M353-510-20	4	Hexagon Bolt M12X1 ,75
5	M353-510-114	8	Circlip
6	M353-510-115	8	Washer
7	M353-510-116	4	Rocker Arm Assy
8	M353-510-117	8	Ball-End Pin
9	M353-510-118	8	Hexagon Nut
10	M353-510-119	8	Rocker Arm Screw
11	M353-510-120	4	Rocker Arm Assy
12	M353-510-121	4	Rocker Bracket



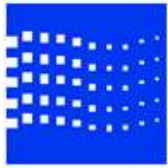
Item	Part Number	Qty	Description
1	M354-237-01	1	Intake Assembly



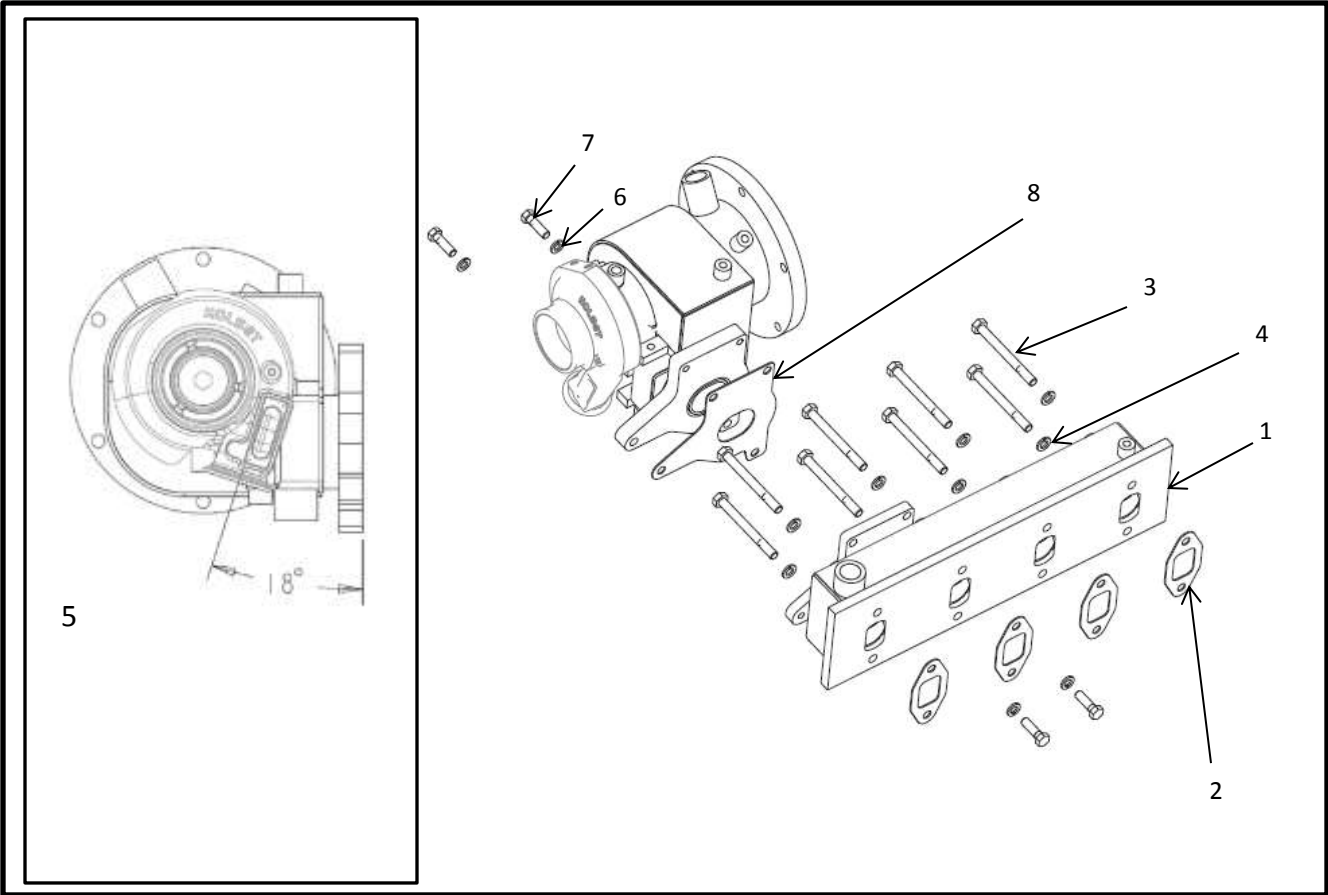
Item	Part Number	Qty	Description
1	M510-542-01	1	Lock Wire 3 feet
2	M150-530-01	6	Washer, m8 Lock
3	M250-544-01	1	Valve, Diesel Engine Shutdown
4	M250-564-01	4	Nut, m8 – 1.25P
5	M295-240-01	2	Spacer
6	M353-201-01	1	Cover, Intake
8	M353-206-01	4	Stud, Intake Cover
10	M354-233-01	1	Angle, Intake Support
21	M600-168-01	2	Bolt, m8x1.25x40 mm HHCS
23	M600-508-01	2	Plug, 1/8" hex socket pipe
24	M600-190-01	2	Washer, 3/8



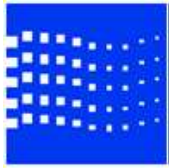
Item	Part Number	Qty	Description
7	M353-205-01	1	Gasket, Intake Cover – FPT N45
9	M354-228-01	1	Adapter Asm., Intake
11	M354-234-01	1	Bracket, Intake Support
12	M354-235-01	2	Spacer
13	M354-510-01	2	Gasket, 5" Flame Arrestor
14	M600-109-01	2	Nut, 0.38-16 hex
15	M600-123-01	14	Washer, 3/8" lock
16	M600-124-01	14	Bolt, 3/8-16x1.25 HHCS
17	M600-154-01	4	Stud, m5x.8Px60 mm grade 8.8
18	M600-155-01	4	Nut, m5x0.8P
19	M600-156-01	4	Washer, m5 Lock
20	M600-162-01	6	Cap screw, m8x1.25Px25 mm Flange Head
22	M98-501-11	1	Flame Arrestor, 5" – 0.038"
25	M600-842-01	1	Male Connector



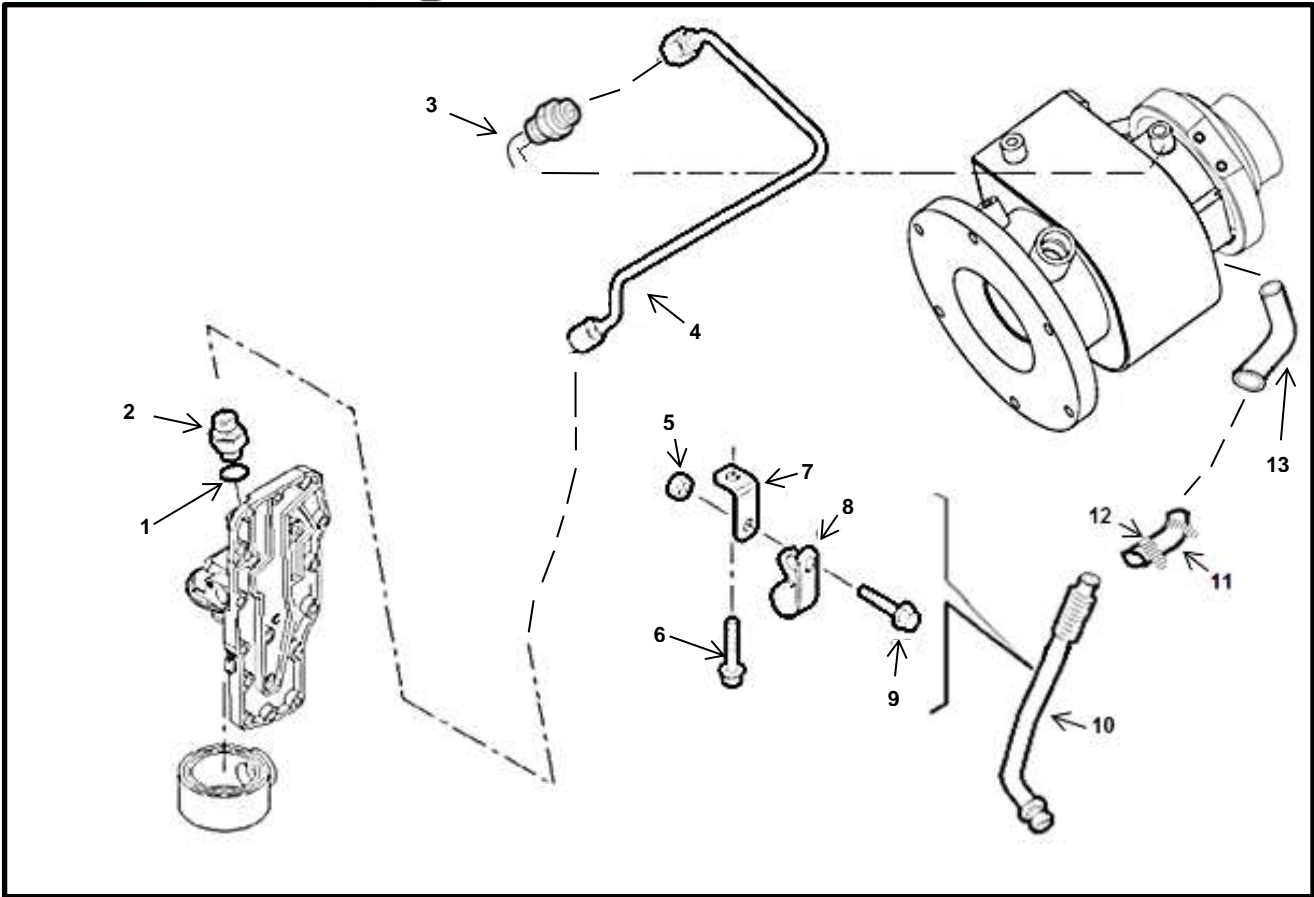
Exhaust Manifold and Turbocharger



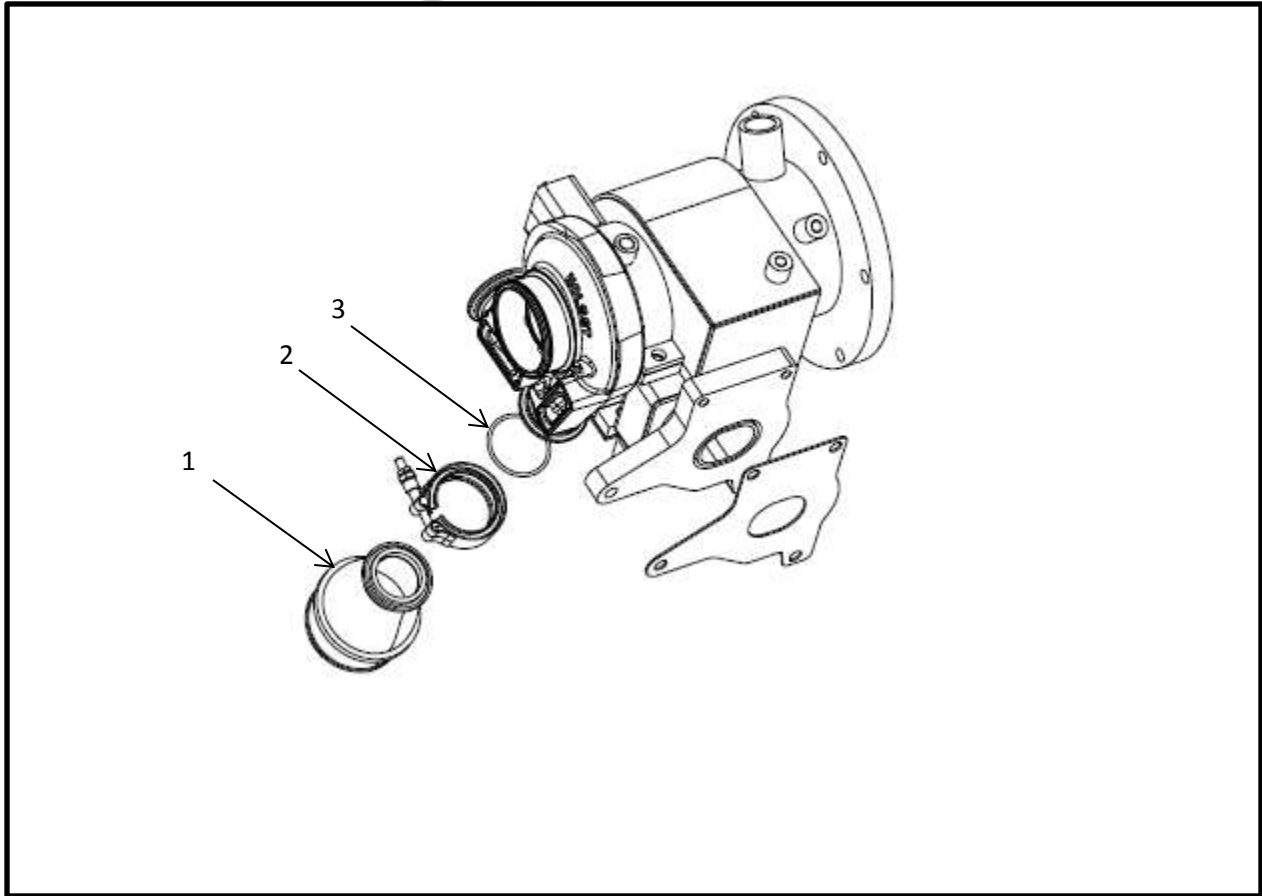
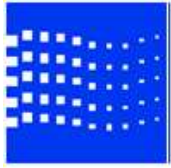
Item	Part Number	Qty	Description
1	M354-209-01	1	Manifold
2	M354-209-20	4	Gasket, Exhaust Manifold
3	M600-150-01	8	Bolt, m10x1.5x100 HHCS
4	M600-134-01	8	Washer, m10 Lock
5	M354-208-02	1	Turbocharger – 18 degree
6	M600-123-01	4	Washer, 3/8 Lock
7	M600-124-01	4	Bolt, 3/8-16x1.25 HHCS
8	M354-208-25	1	Gasket, Turbo



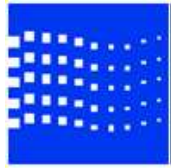
Turbocharger Oil Lines



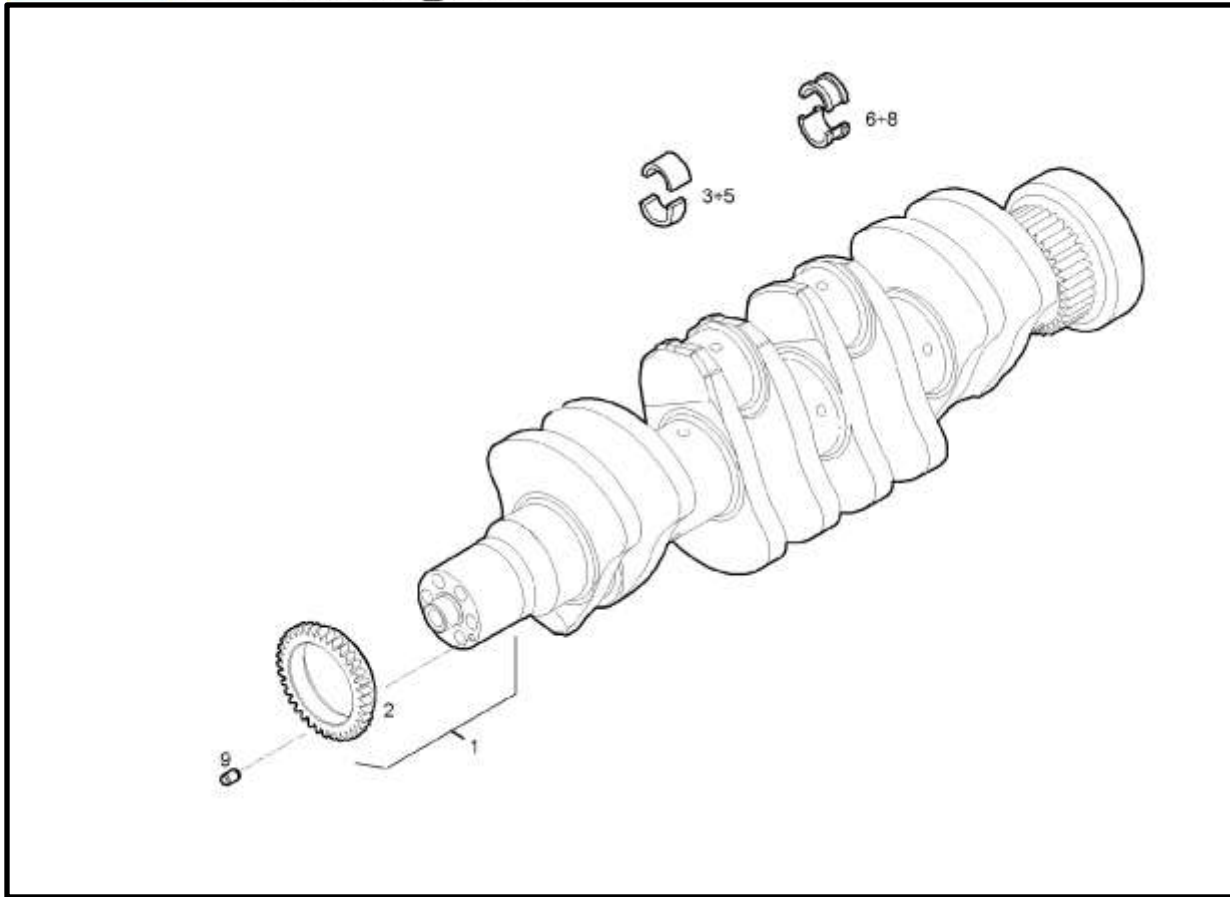
Item	Part Number	Qty	Description
1	M510-520-02	1	Seal Washer
2	M510-520-01	1	Adapter
3	M510-516-01	1	Elbow
4	M354-270-01	1	Tube Assembly
5	M600-193-01	2	Hexagon Nut 1/4 - 20
6	M600-192-01	1	Hexagon Bolt M12x20 mm
7	M354-257-01	1	Fastening Bracket
8	M353-510-213	1	Bracket
9	M600-191-01	2	Hexagon Bolt 1/4 - 20 x 1/2"
10	M353-510-260	1	Oil Line
11	M600-734-01	2 ft	Hose
12	M600-730-01	2	Hose Clamp
13	M601-519-01	1	Elbow, 45°



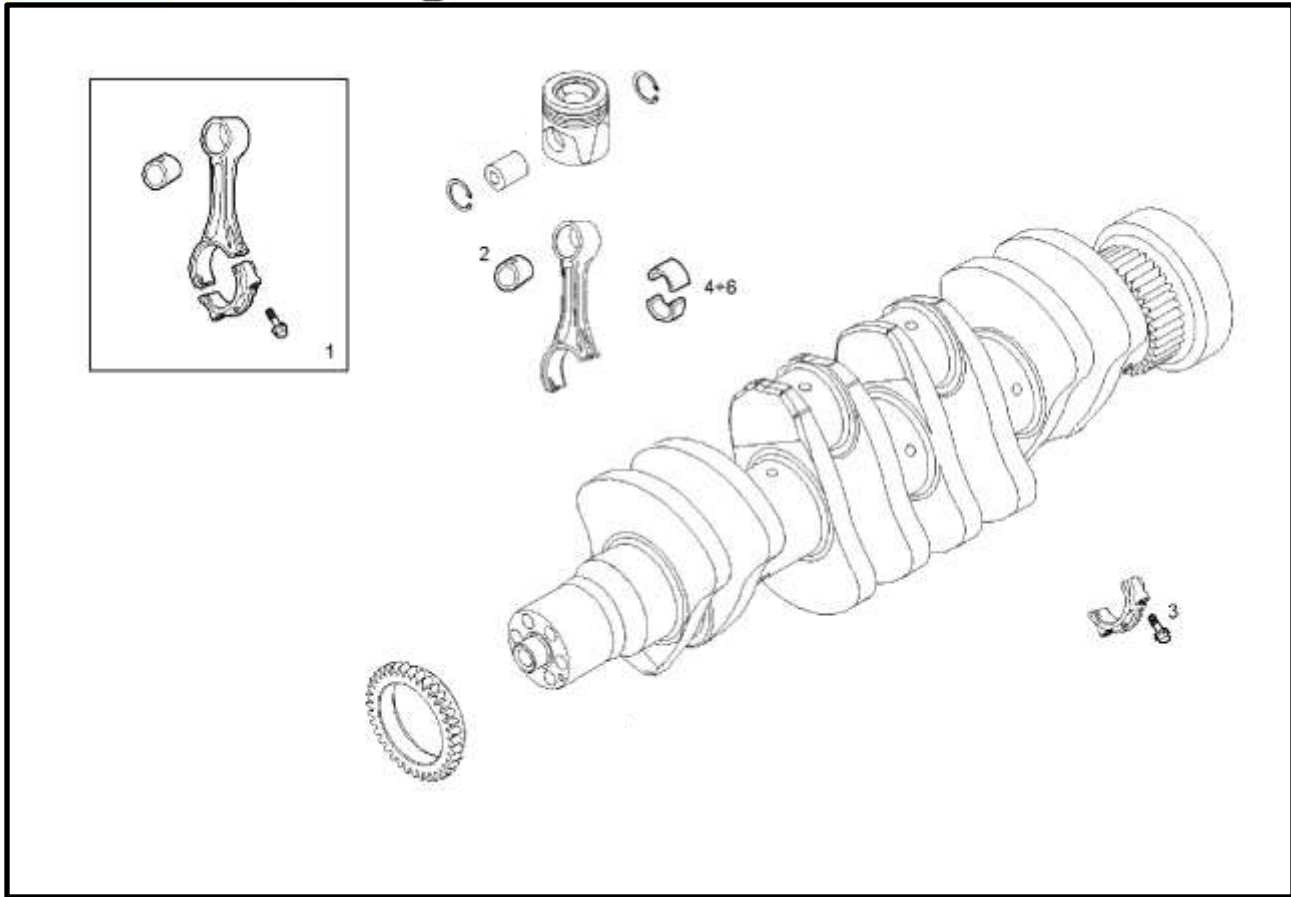
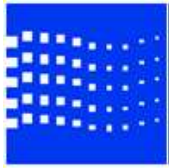
Item	Part Number	Qty	Description
1	M510-503-01	1	Air Transfer Pipe
2	M510-503-02	1	V Band Clamp
3	M510-503-03	1	O-Ring Seal



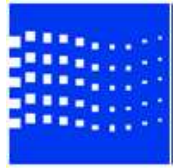
Crankshaft



Item	Part Number	Qty	Description
1	M353-510-125	1	Crankshaft
2	M353-510-126	1	Camshaft Pinion
3	M353-510-127	4	Main Bearing STD.
4	M353-510-128	4	Main Bearing-0,250
5	M353-510-129	4	Main Bearing-0,500
6	M353-510-130	1	Main Bearing-0,250 Thrust
7	M353-510-131	1	Main Bearing STD. Thrust
8	M353-510-132	1	Main Bearing-0,500 Thrust
9	M353-510-133	1	Dowel Pin

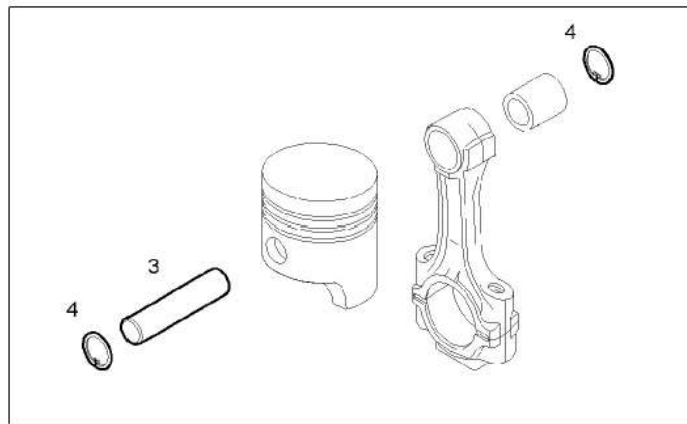
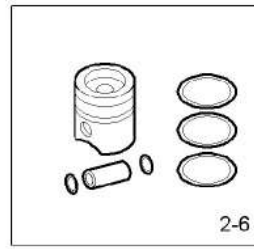
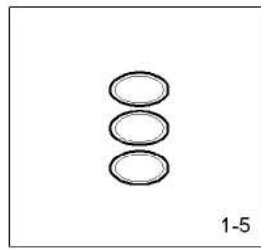


Item	Part Number	Qty	Description
1	M353-510-134	4	Conn.Rod Assy. Assy
2	M353-510-135	4	Big-End Bush
3	M353-510-136	8	Cylind-Head Screw
4	M353-510-137	4	Con.Rod Bear STD.
5	M353-510-138	4	Con.Rod Bear-0,250
6	M353-510-139	4	Con.Rod Bear-0,500

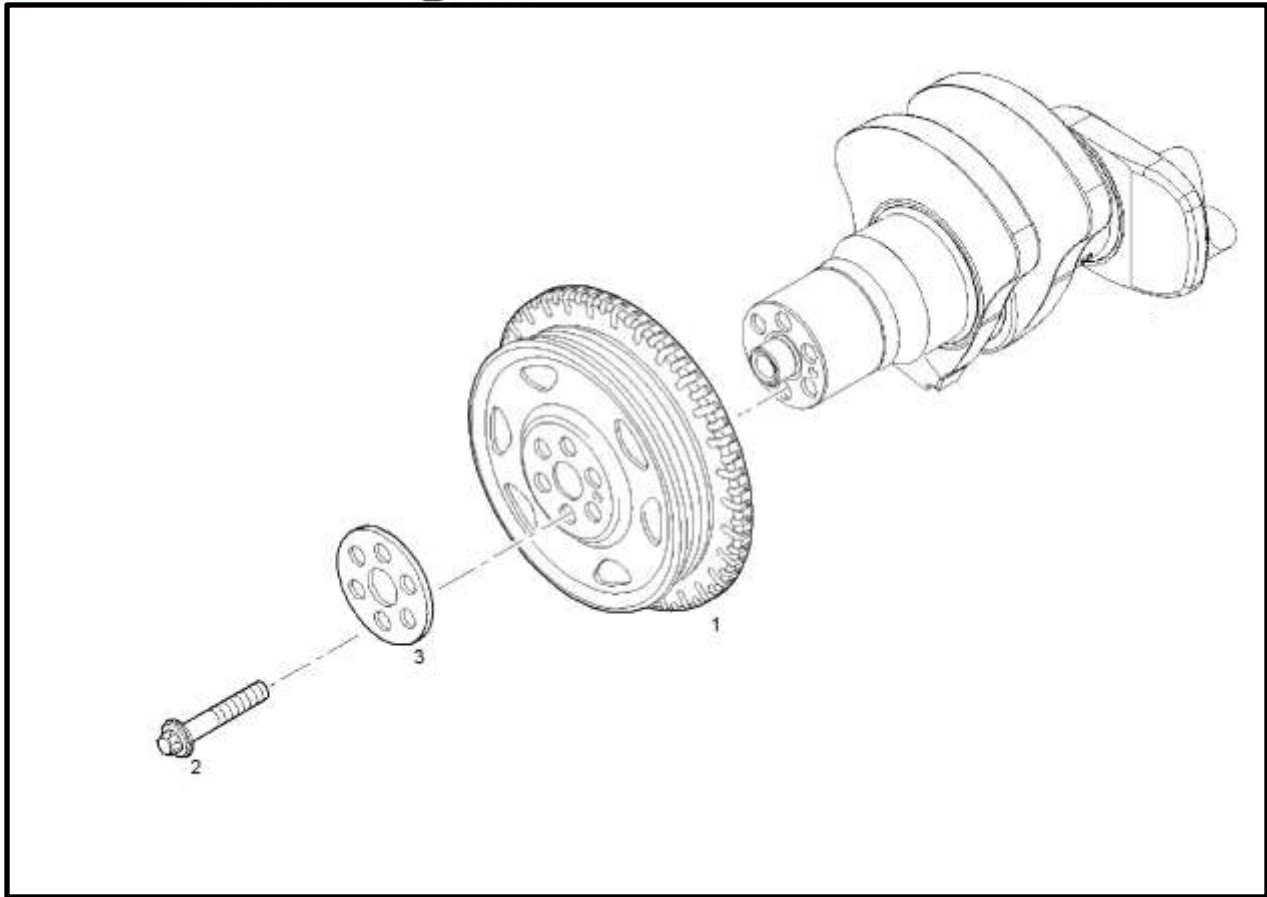
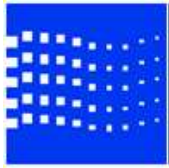


Dry Systems[®]
Technologies

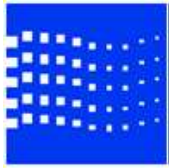
Piston Assy – Piston Rings- Piston Pin



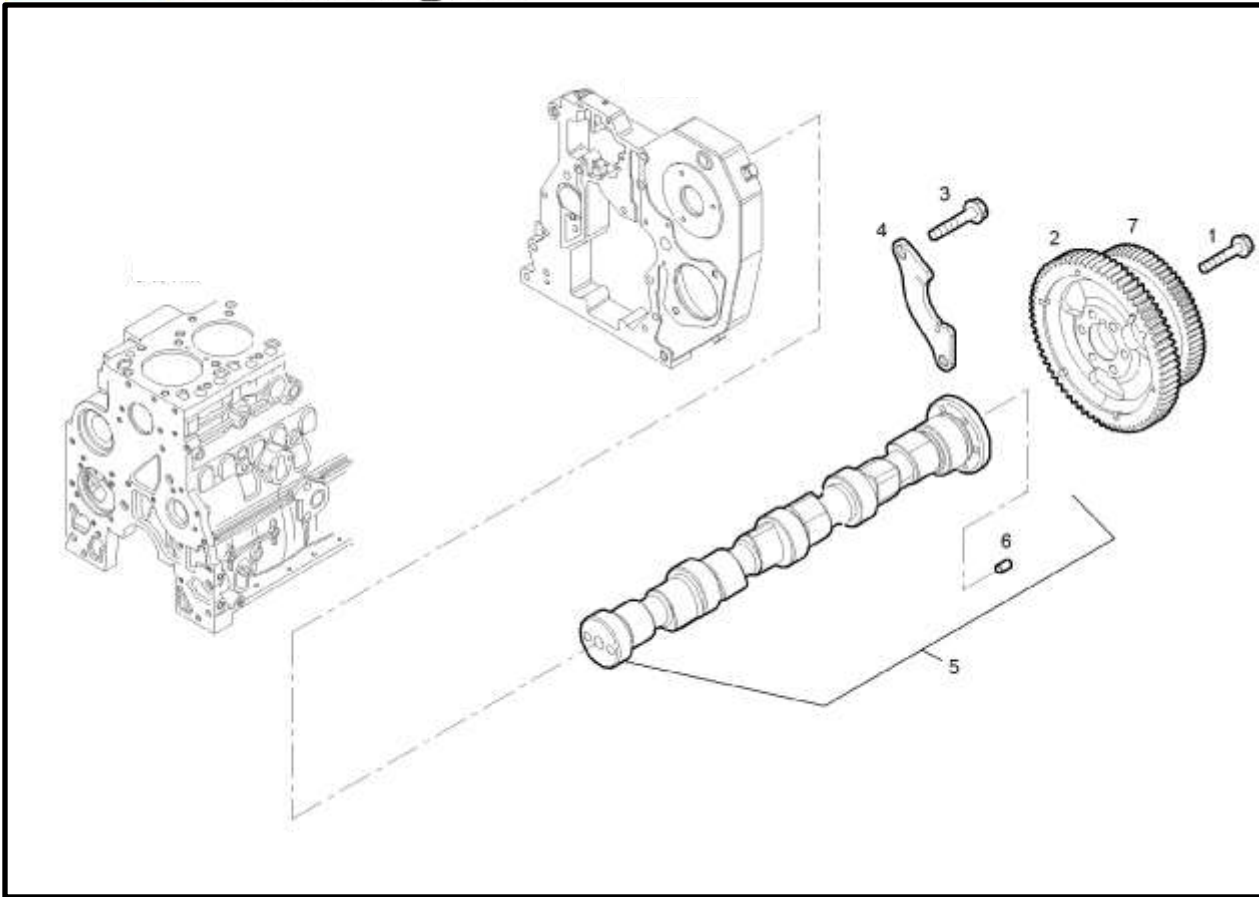
Item	Part Number	Qty	Description
1	M353-510-140	4	Piston Ring Set STD
2	M353-510-141	4	Piston Assy
3	M353-510-142	4	Piston Pin
4	M353-510-143	8	Spring Lockwasher
5	M353-510-144	4	Piston Ring Set +0.4
6	M353-510-145	4	Piston Assy. +0.4



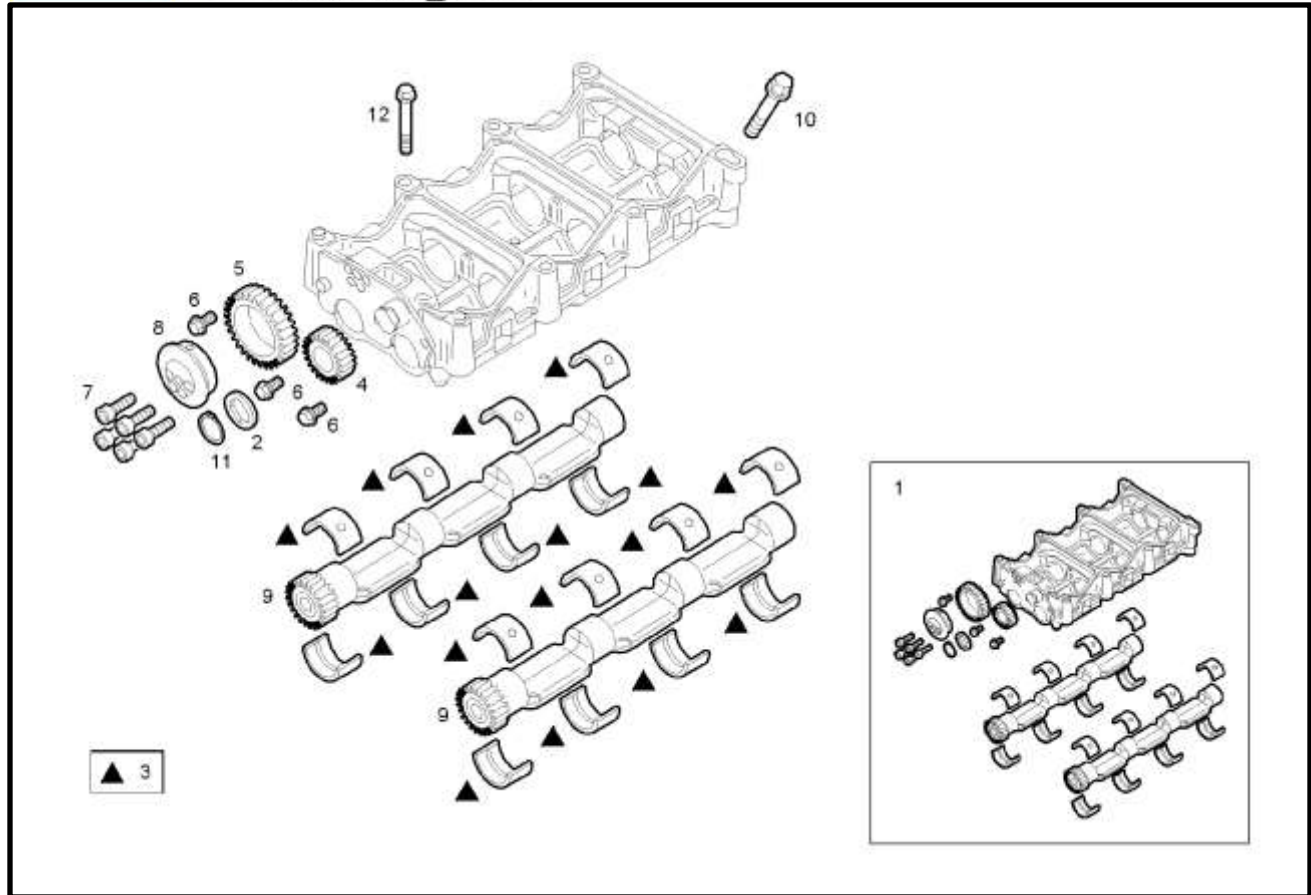
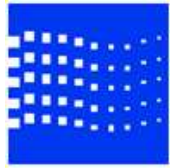
Item	Part Number	Qty	Description
1	M353-510-149	1	Crankshaft pulley
2	M353-510-150	6	Screw M12x1 ,5
3	M353-510-151	1	Spacing Bar



Timing Parts



Item	Part Number	Qty	Description
1	M353-510-163	6	Hexagon Bolt
2	M353-510-164	1	Camshaft Pinion
3	M353-510-86	2	Hexagon Bolt M8x17 MM
4	M353-510-165	1	Yoke
5	M353-510-166	1	Camshaft Assy
6	M353-510-167	1	Dowel Pin
7	M353-510-168	1	Camshaft Pinion

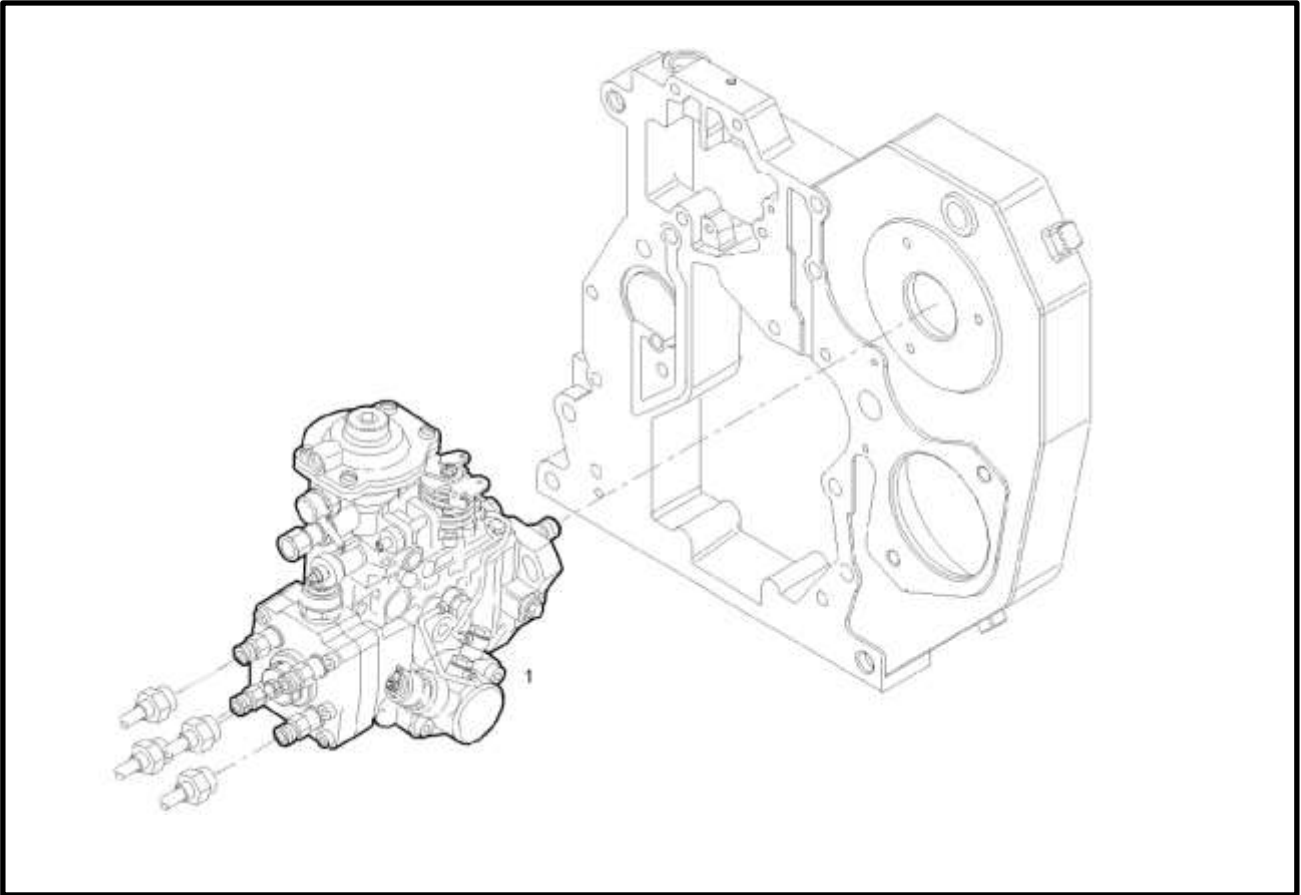


Item	Part Number	Qty	Description
1	M353-510-152	1	Support Assy
2	M353-510-153	1	Washer
3	M353-510-154	8	Bush Assy
4	M353-510-155	1	Gear
5	M353-510-156	1	Gear
6	M353-510-157	3	Hexagon Bolt
7	M353-510-158	5	Socket-Head Screw
8	M353-510-159	1	Shaft
9	M353-510-160	2	Shaft Assy
10	M353-510-161	1	Hexagon Bolt
11	M353-510-162	1	Spring Lockwasher
12	M353-510-80	7	Hexagon Bolt M10x1 ,5x80 MM

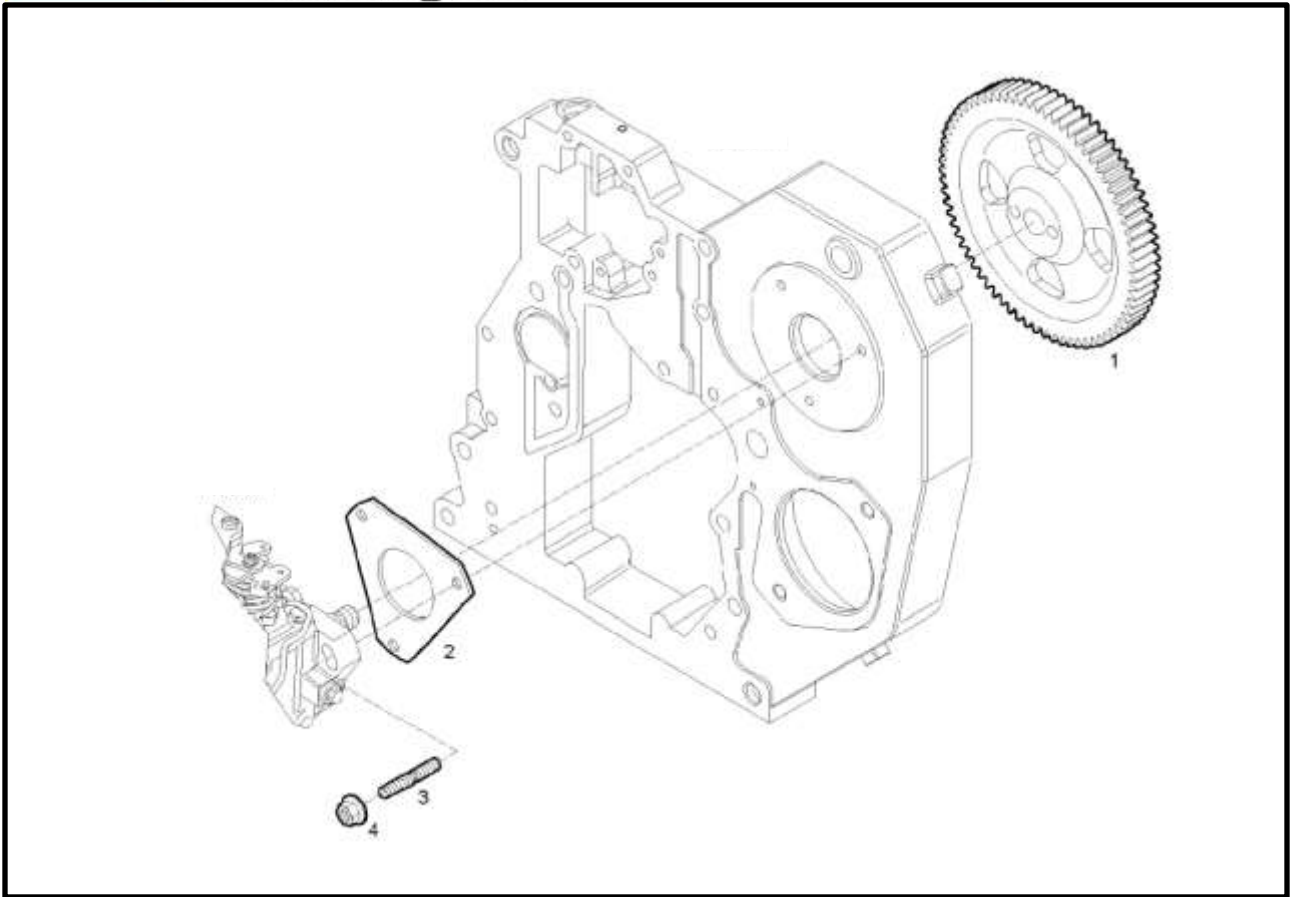
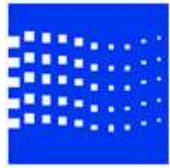


Dry Systems[®]
Technologies

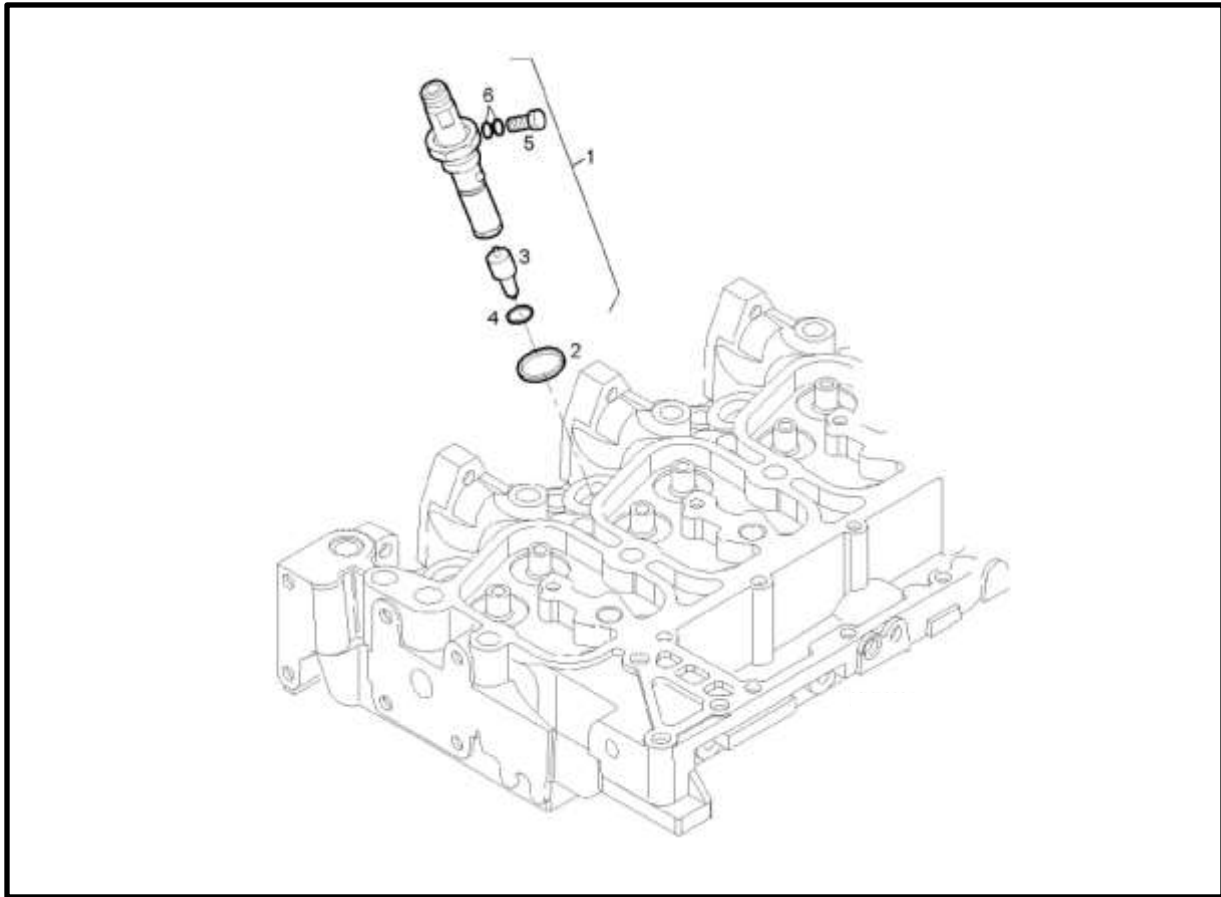
Fuel Injection Pump



Item	Part Number	Qty	Description
1	M353-507-11	1	Fuel Pump



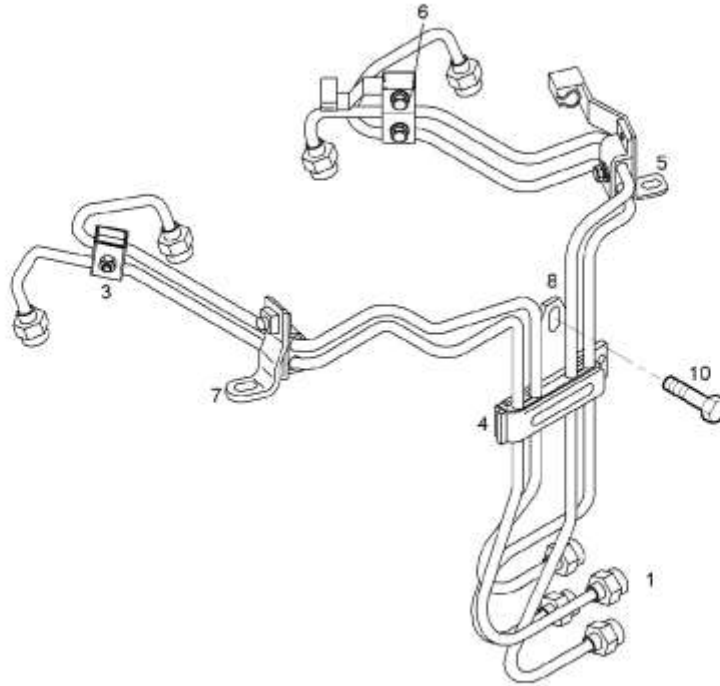
Item	Part Number	Qty	Description
1	M353-510-169	1	Inj. Pump Drive Gear
2	M353-510-23	1	Engine Gasket
3	M353-510-170	3	Stud M8x30 MM (8.8)
4	M353-510-171	3	Nut M8



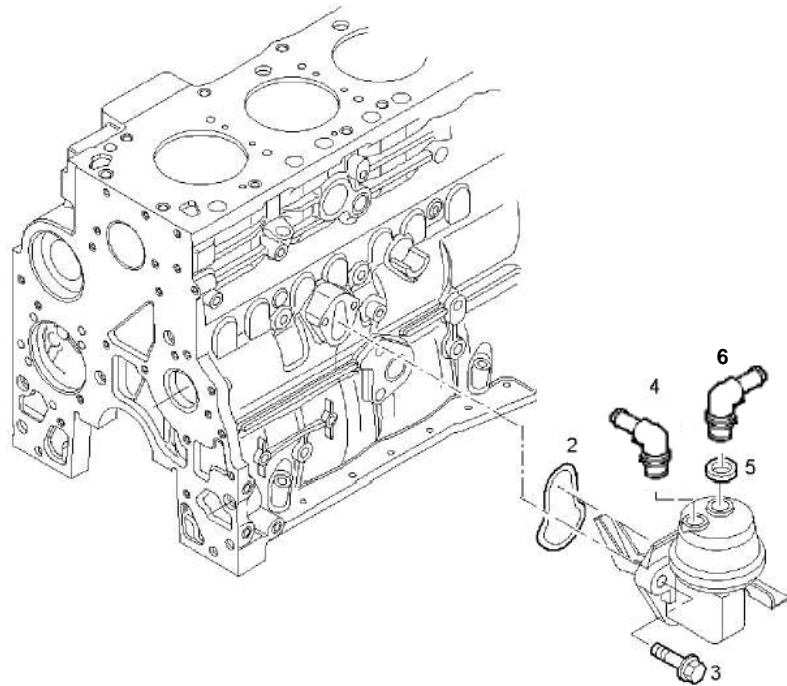
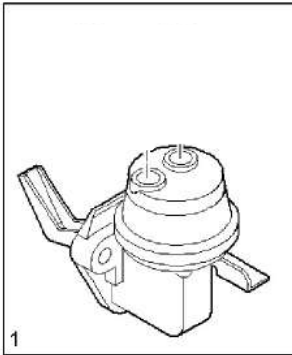
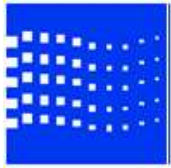
Item	Part Number	Qty	Description
1	M353-510-24	4	Nozzle Assy
2	M353-510-172	4	Seal Gasket
3	M353-510-173	4	Fuel Nozzle
4	M353-510-174	4	Washer
5	M353-510-175	4	Screw Connector M6x1
6	M250-530-01	4	Seal, Banjo Connector



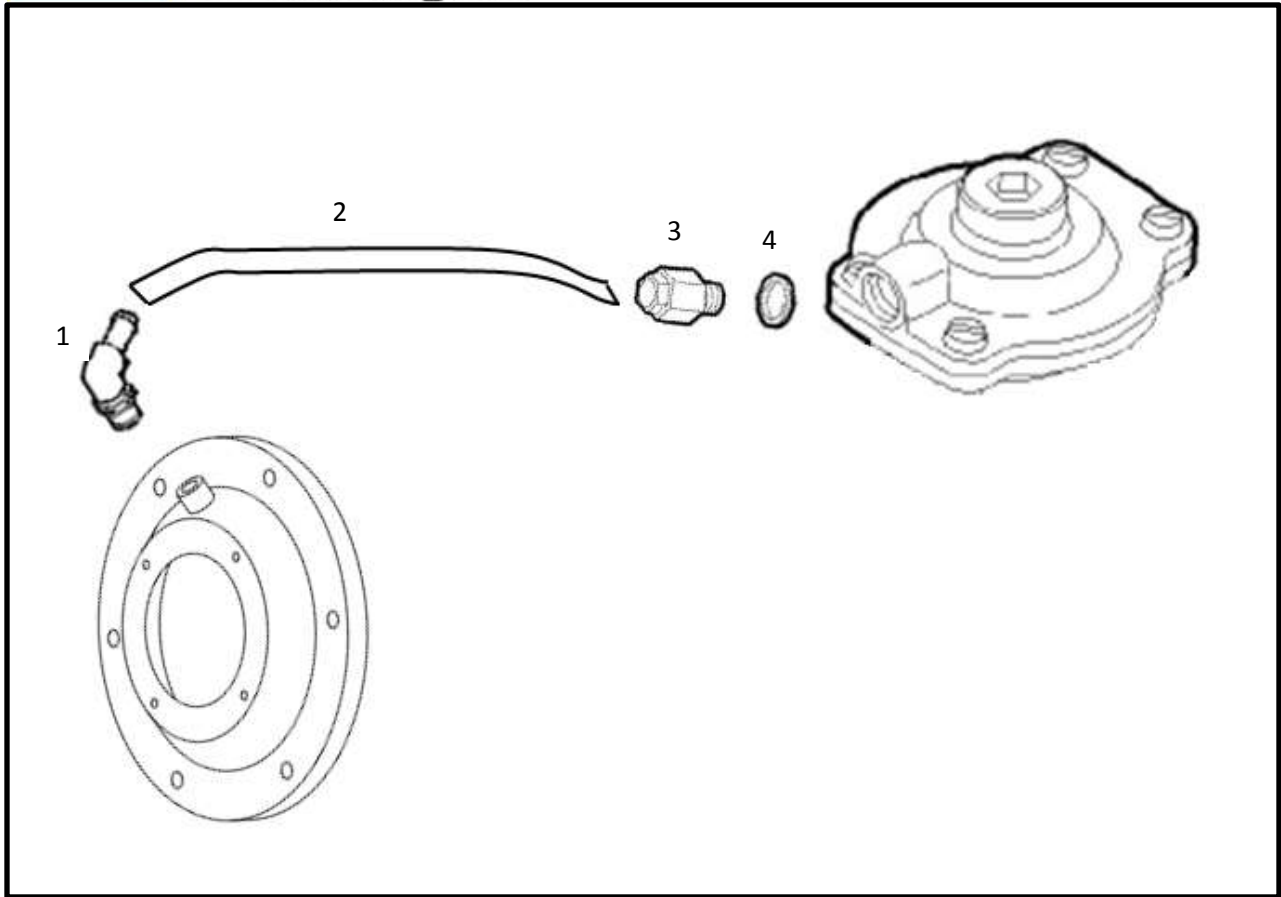
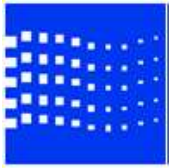
Injection Pipes



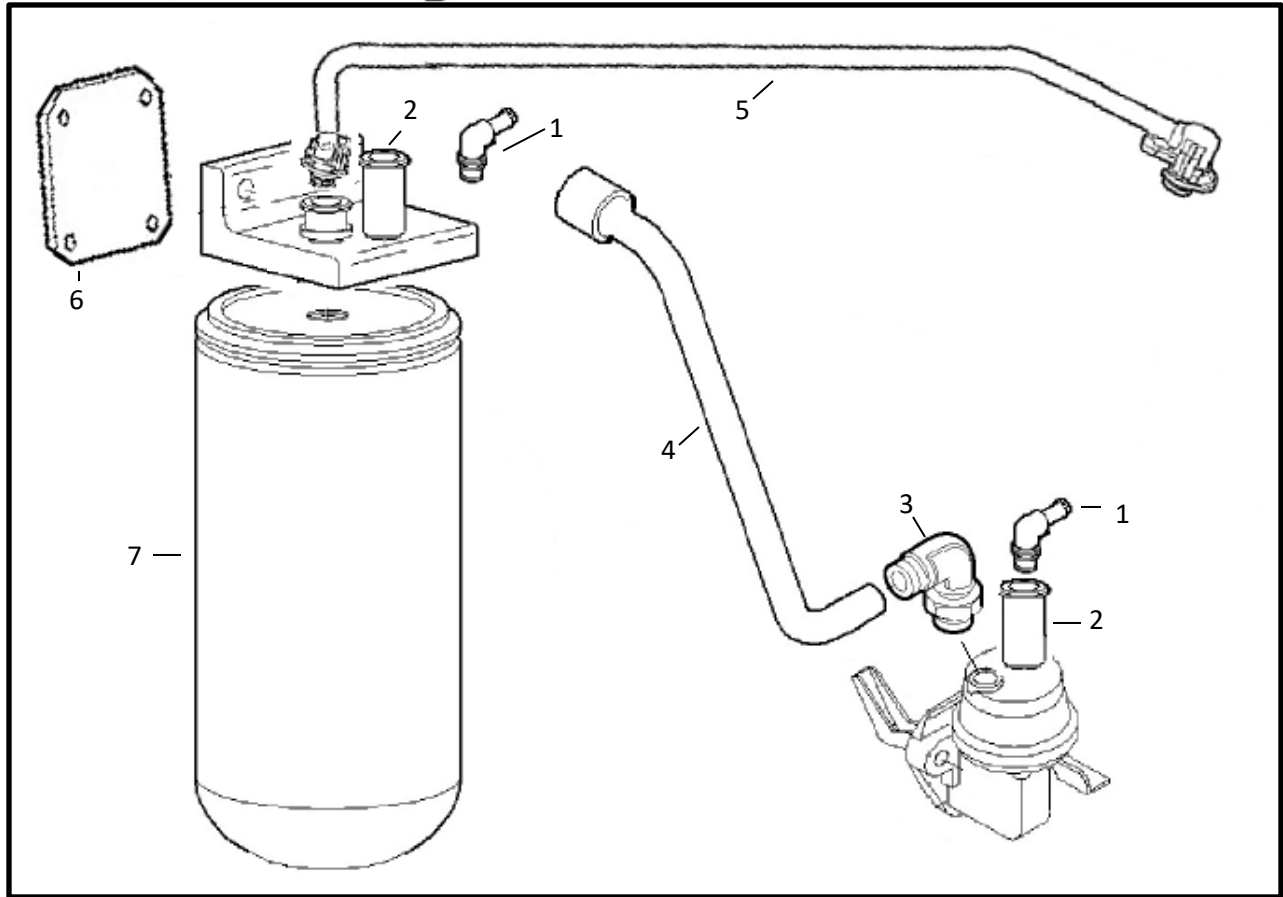
Item	Part Number	Qty	Description
1	M353-510-28	1	Injection Line Set Assy
3	M353-510-185	1	Fastening Bracket
4	M353-510-186	1	Fastening Bracket
5	M353-510-187	1	Fastening Bracket
6	M353-510-188	1	Fastening Bracket
7	M353-510-189	1	Fastening Bracket
8	M353-510-190	1	Fastening Bracket
10	M353-510-191	1	Hexagon Bolt



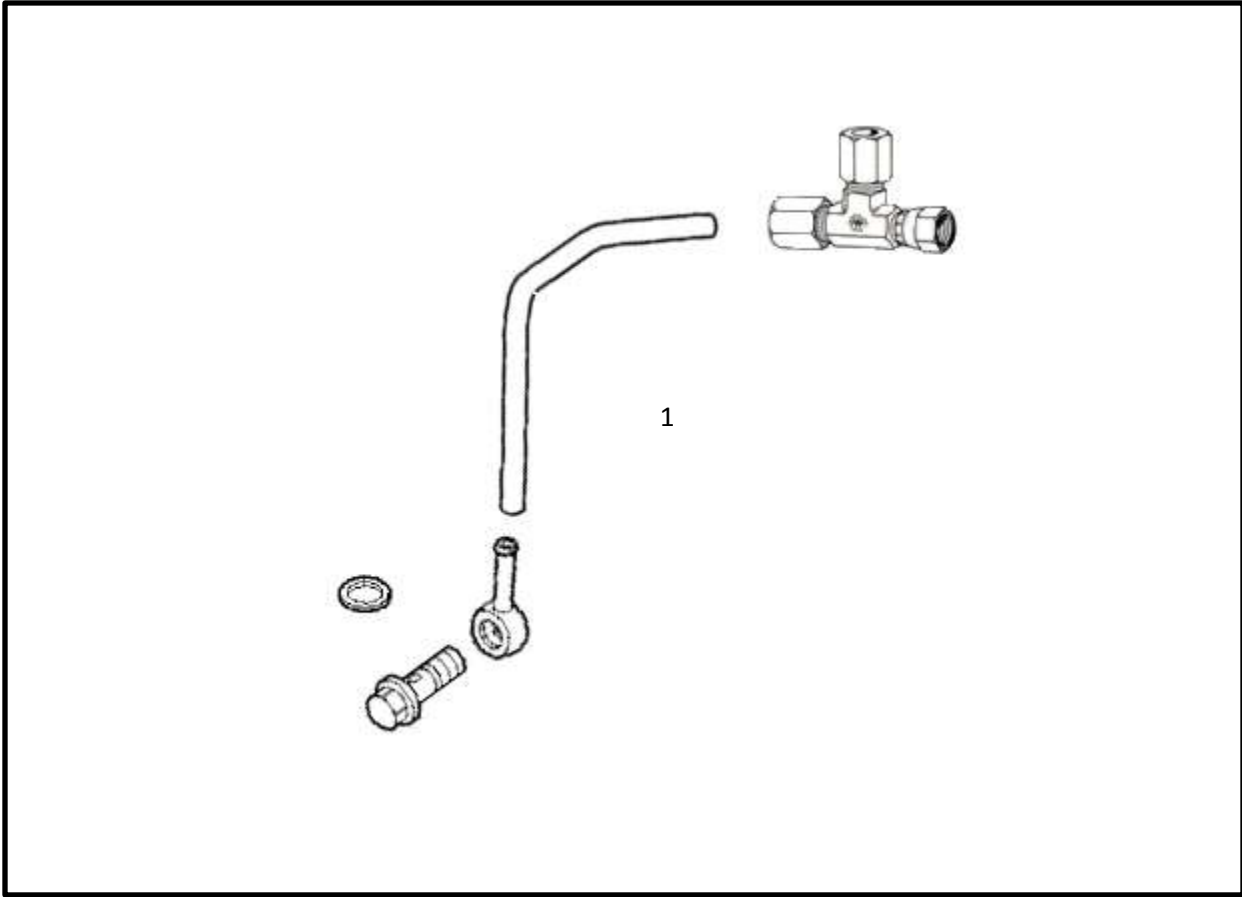
Item	Part Number	Qty	Description
1 *	M353-510-26	1	Fuel Pump Assy, Diaphragm Style
2 *	M353-510-27	1	O-Ring, Diaphragm Style
3	M353-510-182	2	Hexagon Bolt M8x25 MM
4	M510-522-01	1	Elbow
5	M510-520-02	1	Seal
6	M510-523-01	1	Elbow
1 *	M353-510-267	1	Fuel Pump Assy., Piston Inline Style
2 *	M353-510-268	1	Gasket, Piston Inline Style



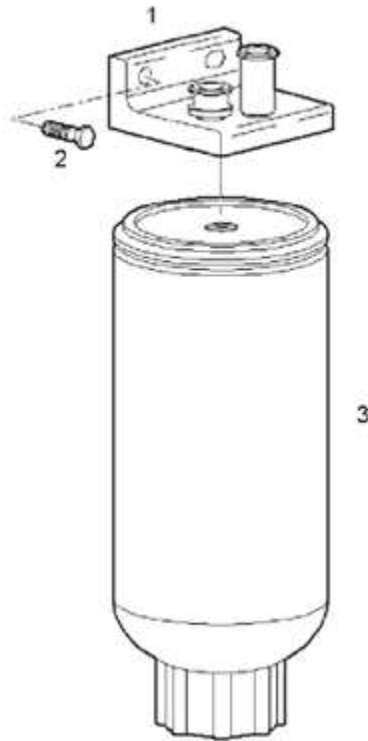
Item	Part Number	Qty	Description
1	M510-516-01	1	Elbow
2	M354-273-01	1	Tube Asm
3	M510-524-01	1	Adapter
4	M510-525-01	1	Copper Seal Washer



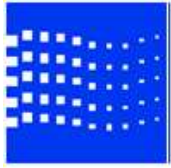
Item	Part Number	Qty	Description
1	M510-523-01	2	Elbow
2	M510-520-02	2	Seal
3	M510-522-01	1	Elbow
4*	M354-271-01	1	Tube Asm
5	M354-272-01	1	Tube Asm
6	M353-514-01	1	Bracket, Fuel Filter
7	M353-510-25	1	Fuel Filter
4*	M354-271-01B	1	Tube, Asm., Piston Inline Style



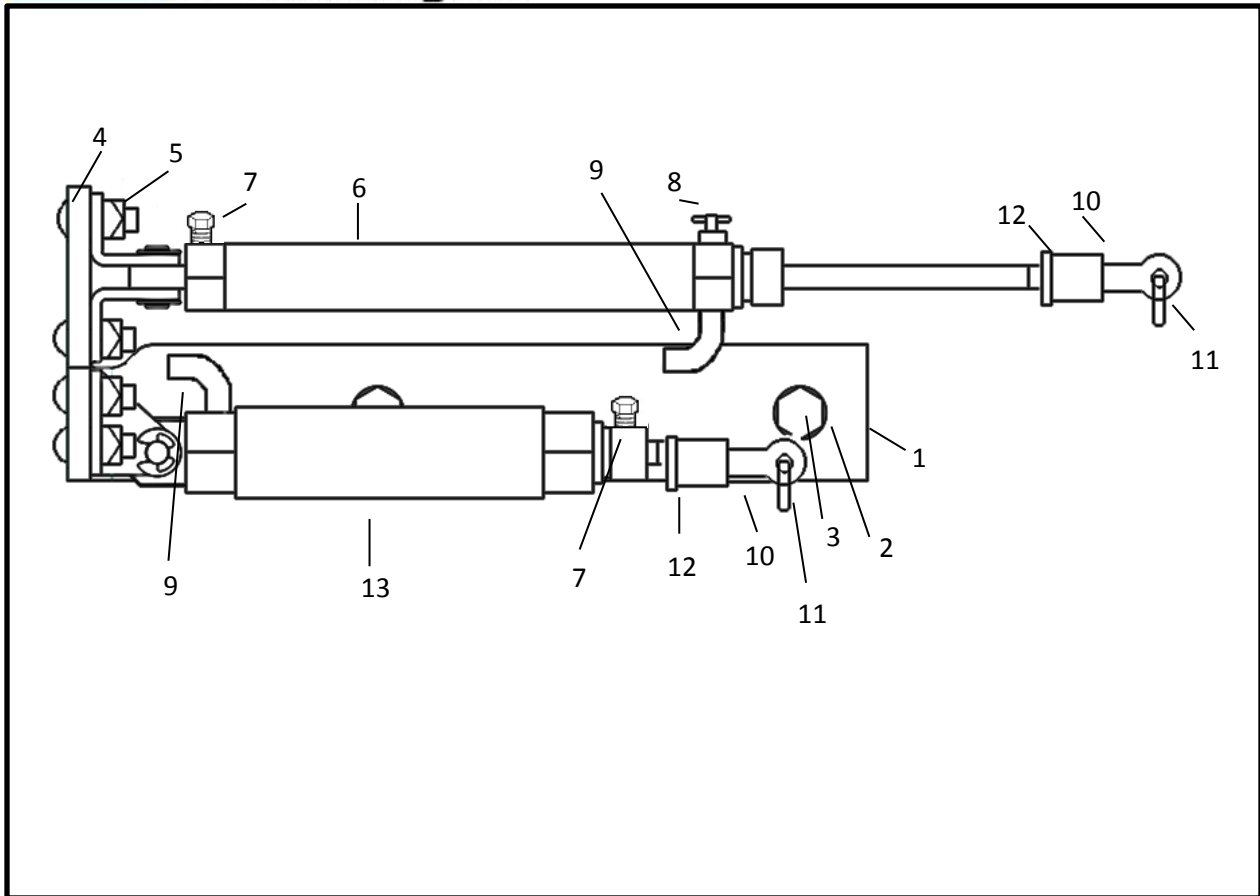
Item	Part Number	Qty	Description
1	M353-515-01	1	Return Line Assembly – Complete Piping *can only be purchased complete, not Individual parts*



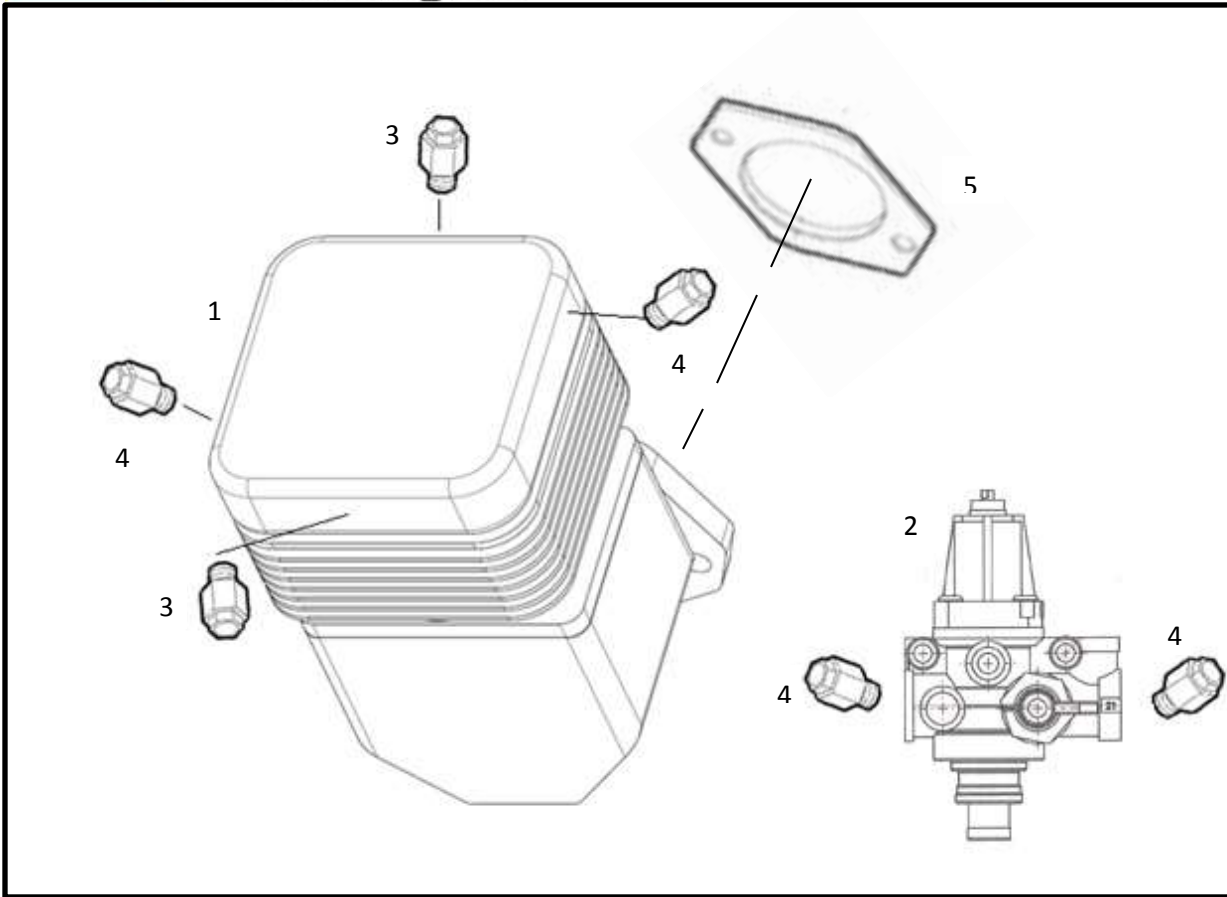
Item	Part Number	Qty	Description
1	M353-516-01	1	Fuel Filt. Support Assy
2	M353-510-178	2	Hexagon Bolt M8x25 MM
3	M353-510-25	1	Fuel Filter Cartridge



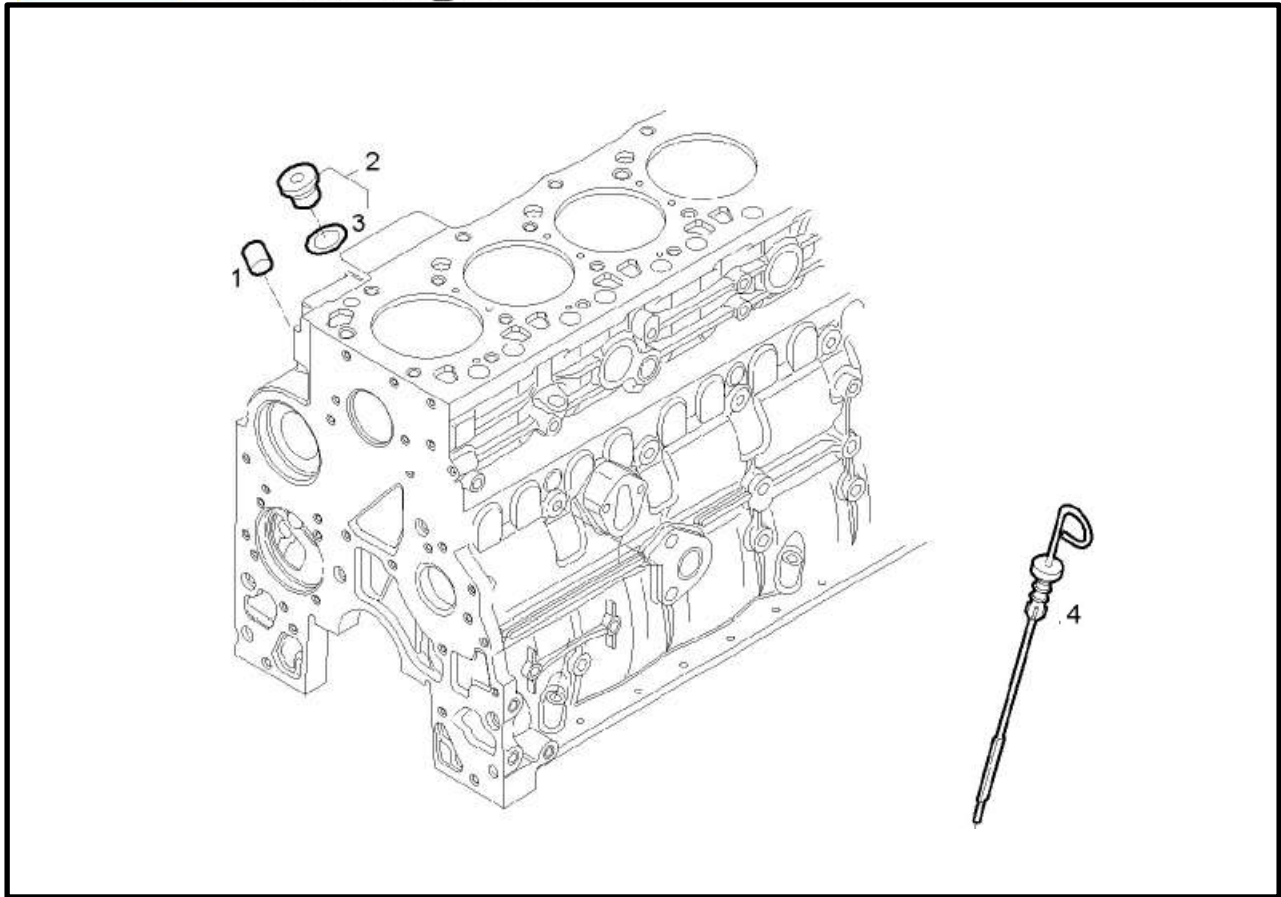
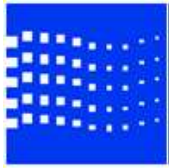
Shutdown Cylinder and Throttle Cylinder



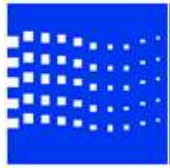
Item	Part Number	Qty	Description
1	M353-506-01	1	Bracket
2	M150-530-01	2	M8 Lockwash
3	M600-151-01	2	M8x25mm HHCS
4	M600-194-01	8	#10 x 3/4 Pan Head Phillips
5	M600-195-01	8	#10 Nut
6	M354-521-01	1	Throttle Cylinder
7	M600-821-01	2	Breather
8	M510-526-01	1	Bleeder Valve
9	M90-467-01	2	Elbow
10	M354-531-01	2	Rod End
11	M600-196-01	2	1/4 – 28 Lock Nut
12	M600-127-01	2	1/4 -28 Nut
13	M353-502-01	1	Cylinder, Shutdown



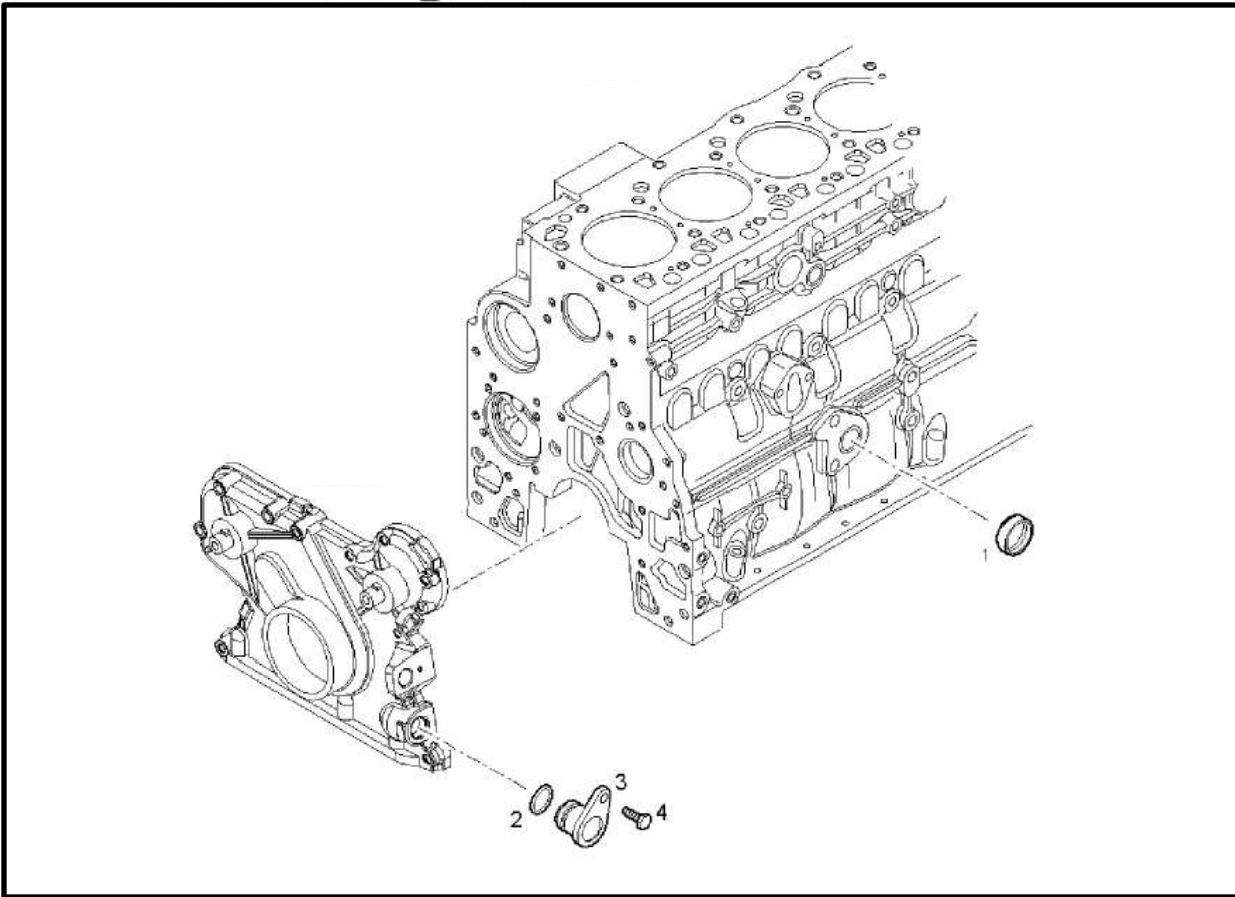
Item	Part Number	Qty	Description
1	M353-510-252	1	Air Compressor
2	M353-510-257	1	Valve, Compressor Unloader (Regulator)
3	M353-512-01	2	Adapter 26 mm 3/4 NPT
4	M353-511-01	4	Adapter 22 mm 1/2 NPT
5	M353-510-249	1	Engine Gasket



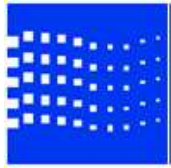
Item	Part Number	Qty	Description
1	M353-510-201	1	Plug
2	M353-510-202	2	Plug Assy M12x1 ,5
3	M353-510-203	2	O-Ring
4	M353-510-258	1	Long Dipstick



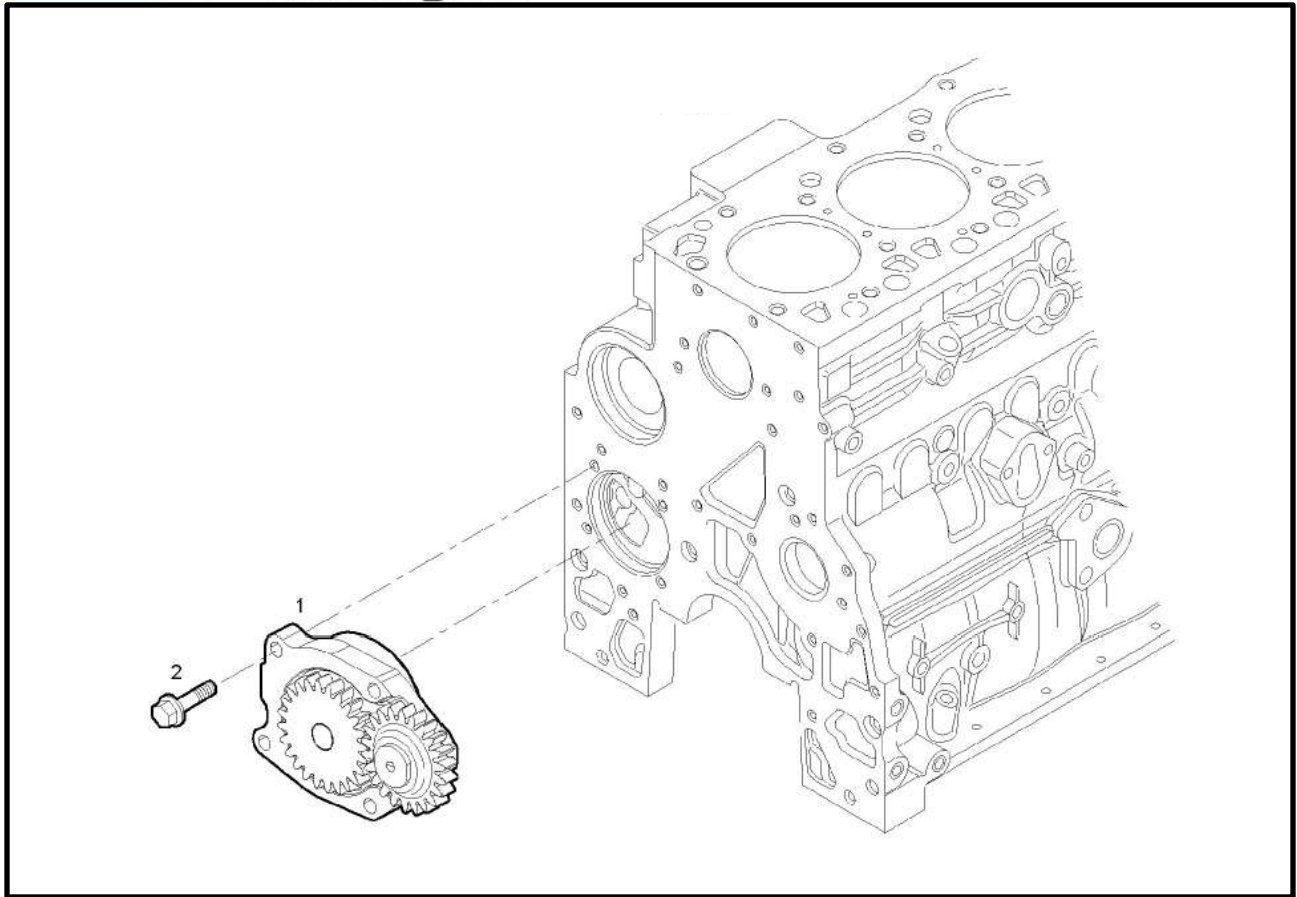
Oil Dipstick Pipe



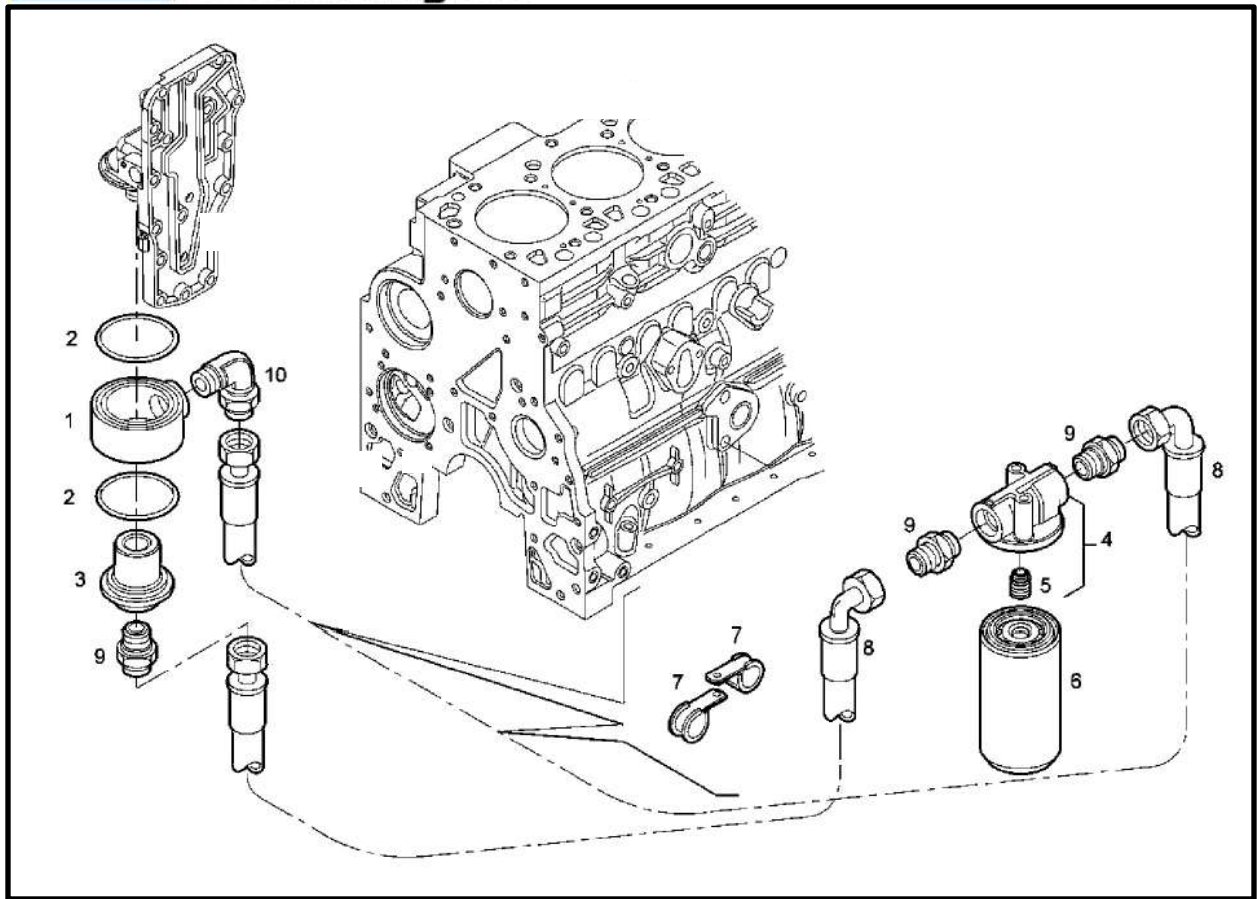
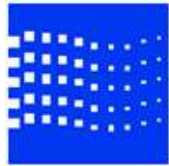
Item	Part Number	Qty	Description
1	M353-510-204	1	Plug
2	M353-510-205	1	O-Ring Dia 17 ,12 SP 2,62
3	M353-510-206	1	Oil Filler Plug
4	M353-510-207	1	Hexagon Bolt M6x18 MM



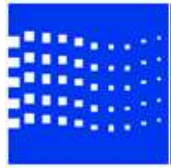
Oil Pump



Item	Part Number	Qty	Description
1	M353-510-208	1	Lube Oil Pump
2	M353-510-209	4	Hexagon Bolt

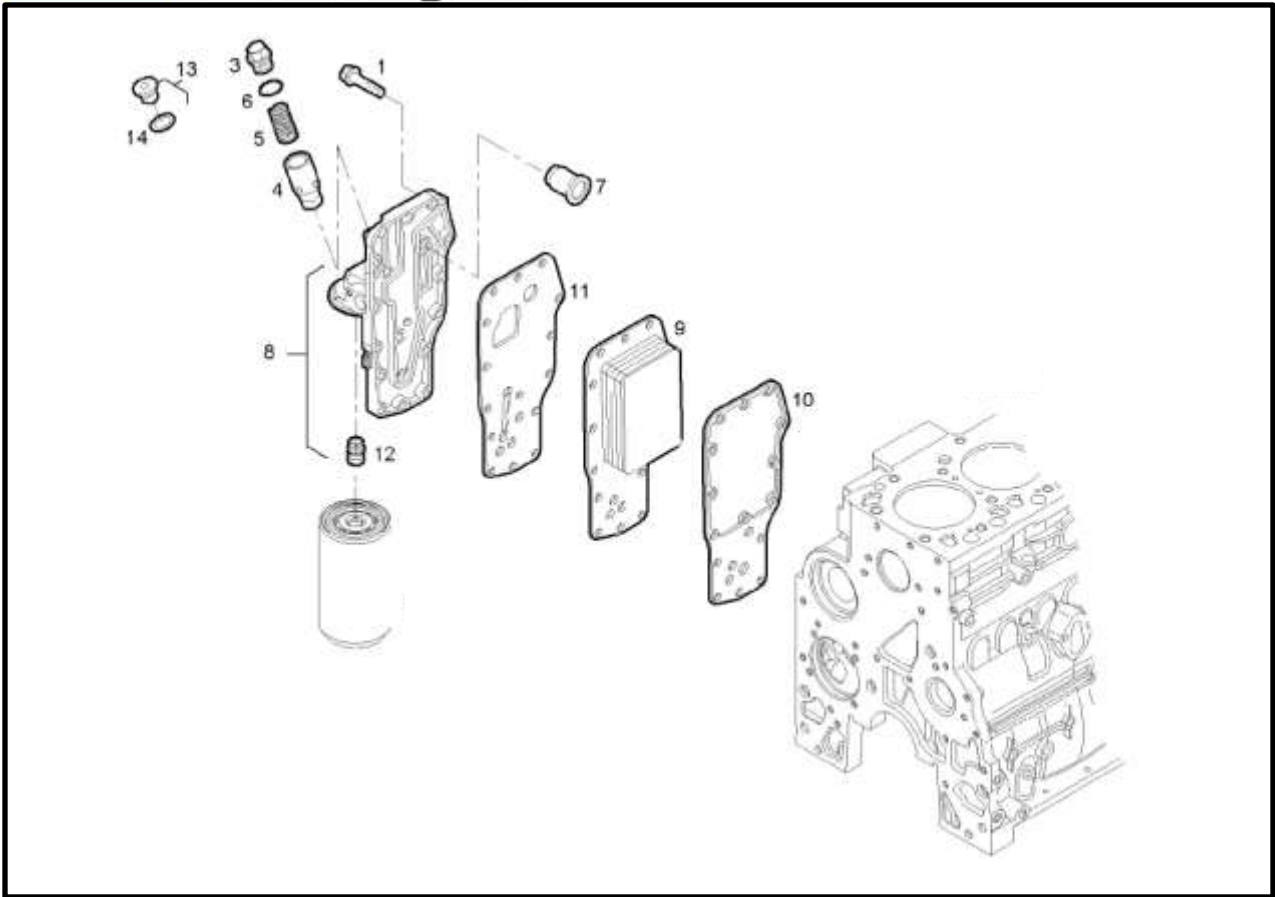


Item	Part Number	Qty	Description
1	M353-510-253	1	Support
2	M353-510-254	2	O-Ring Ø59, 92mm SP=3,53 mm
3	M353-510-255	1	Threaded Union
4	M353-510-35	1	Oil Filter Support Assy
5	M353-510-233	1	Threaded Union
6	M353-510-29	1	Oil Filter Cartridge
7	M353-510-256	4	Fastening Bracket
8	M353-510-37	2	Hose
9	M353-510-36	3	Threaded Union
10	M353-510-38	1	Elbow Coupling

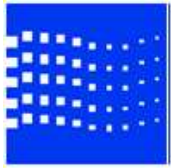


**Dry Systems
Technologies**

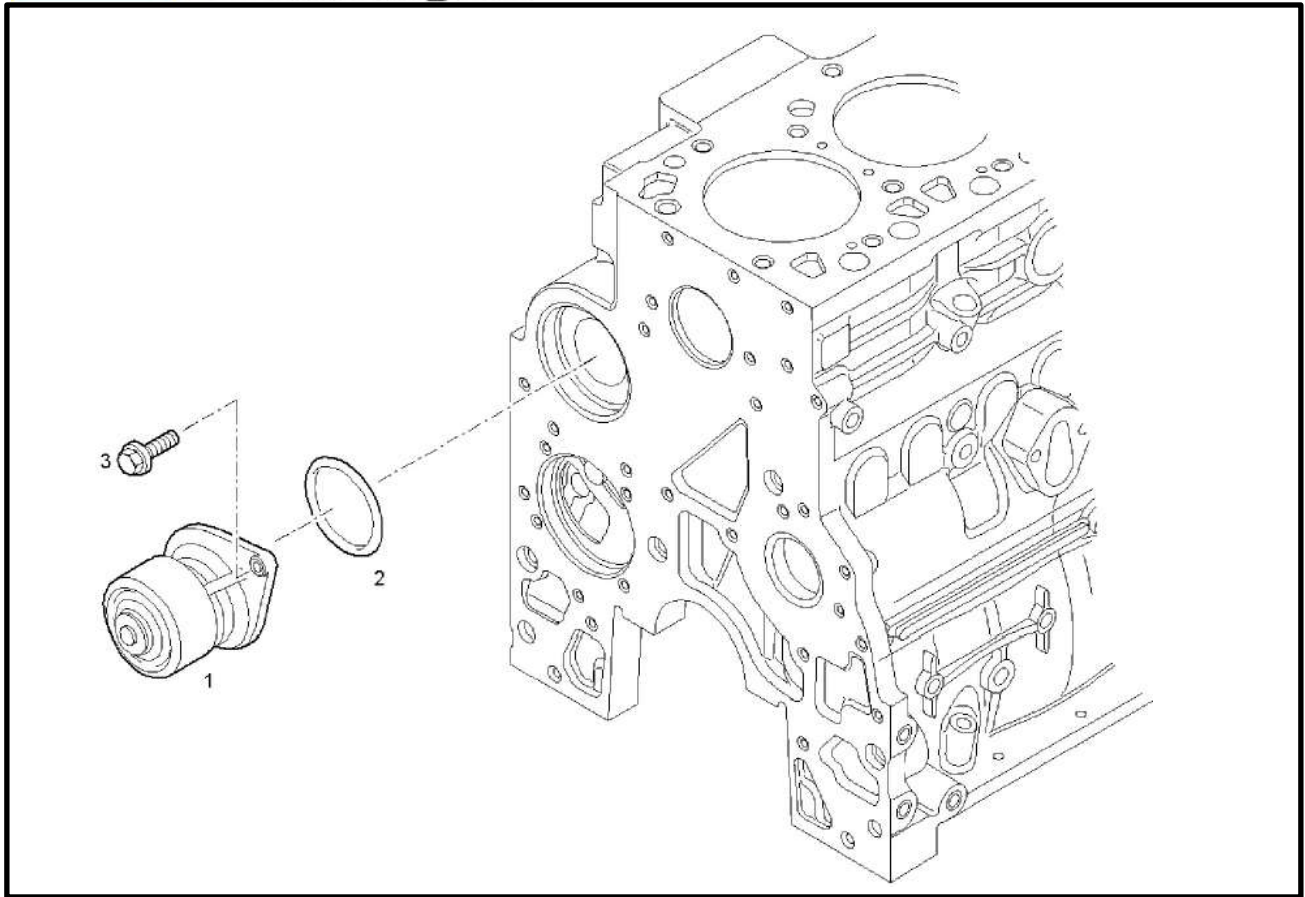
Oil – Water Heat Exchanger



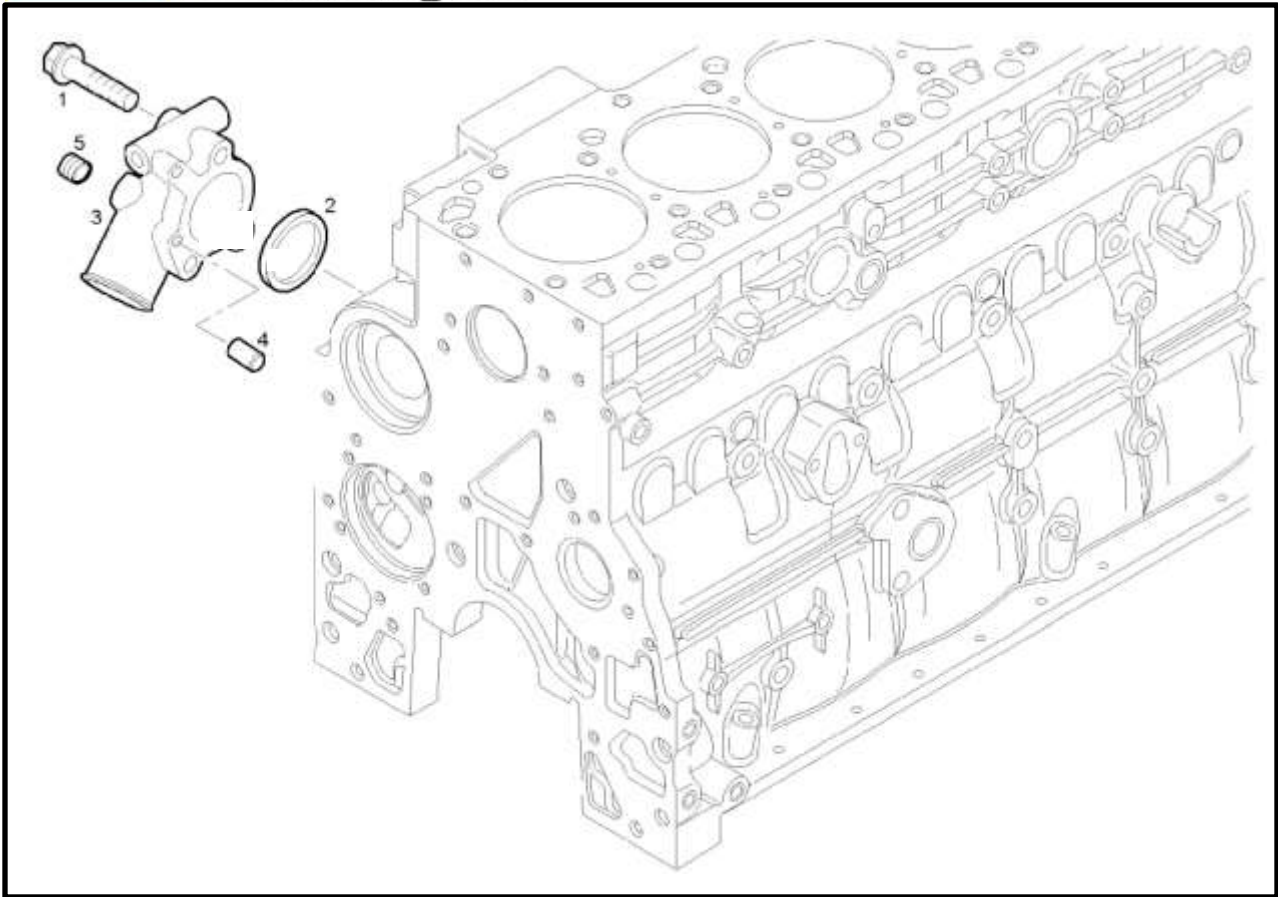
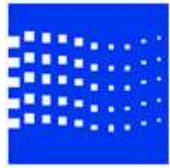
Item	Part Number	Qty	Description
1	M353-510-223	15	Hexagon Bolt M8x35 MM
3	M353-510-224	1	Threaded Plug
4	M353-510-225	1	Valve Housing
5	M353-510-226	1	Valve Spring
6	M353-510-227	1	O-Ring
7	M353-510-228	1	Valve
8	M353-510-229	1	Heat Exchanger Body Assy
9	M353-510-230	1	Oil Cooler
10	M353-510-231	1	Engine Gasket
11	M353-510-232	1	Engine Gasket
12	M353-510-233	1	Threaded Union
13	M353-510-234	1	Threaded Plug Assy
14	M353-510-235	1	O-Ring



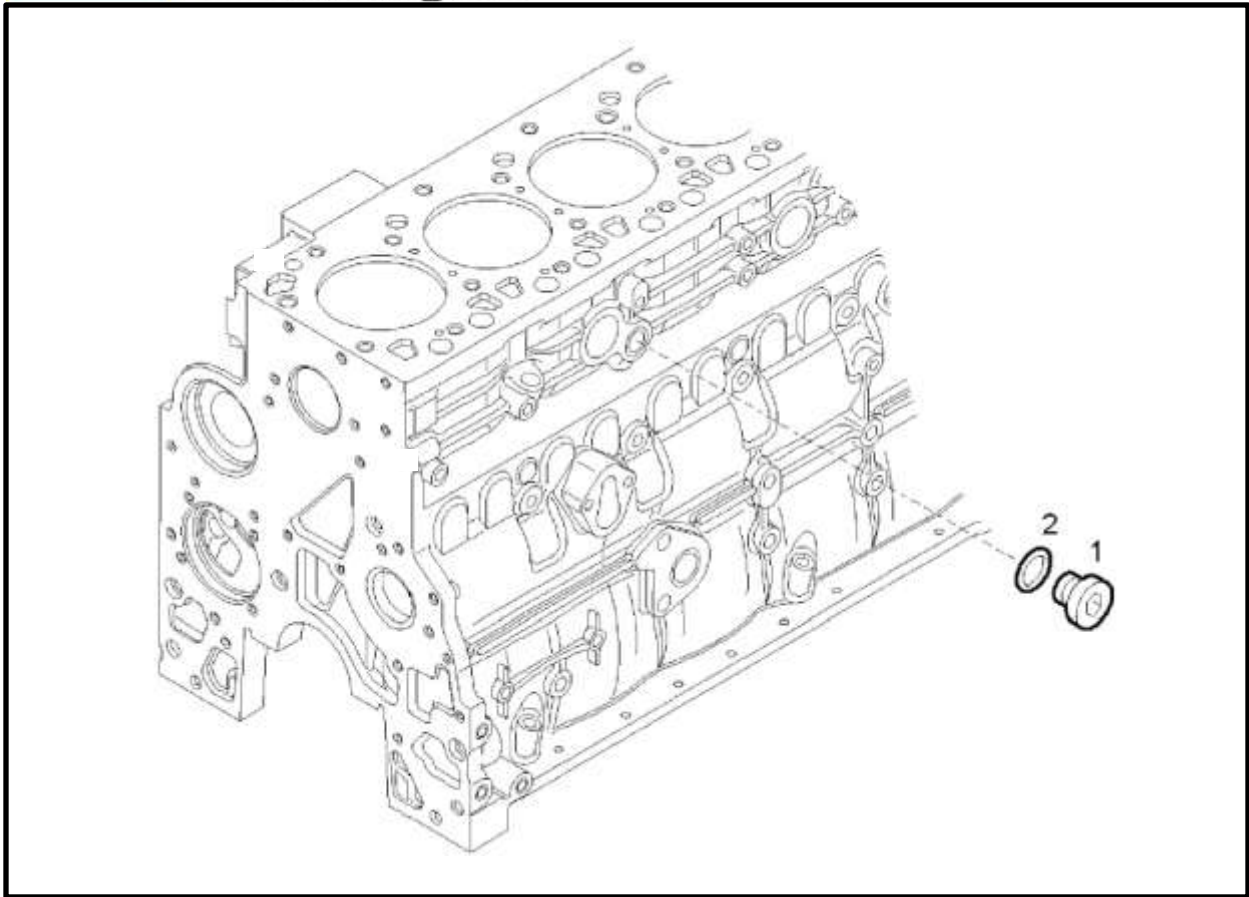
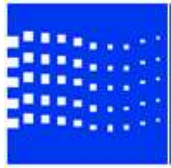
Water Pump



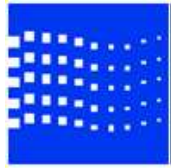
Item	Part Number	Qty	Description
1	M353-510-30	1	Water Pump
2	M353-510-31	1	Rubber Gasket
3	M353-510-236	2	Hexagon Bolt



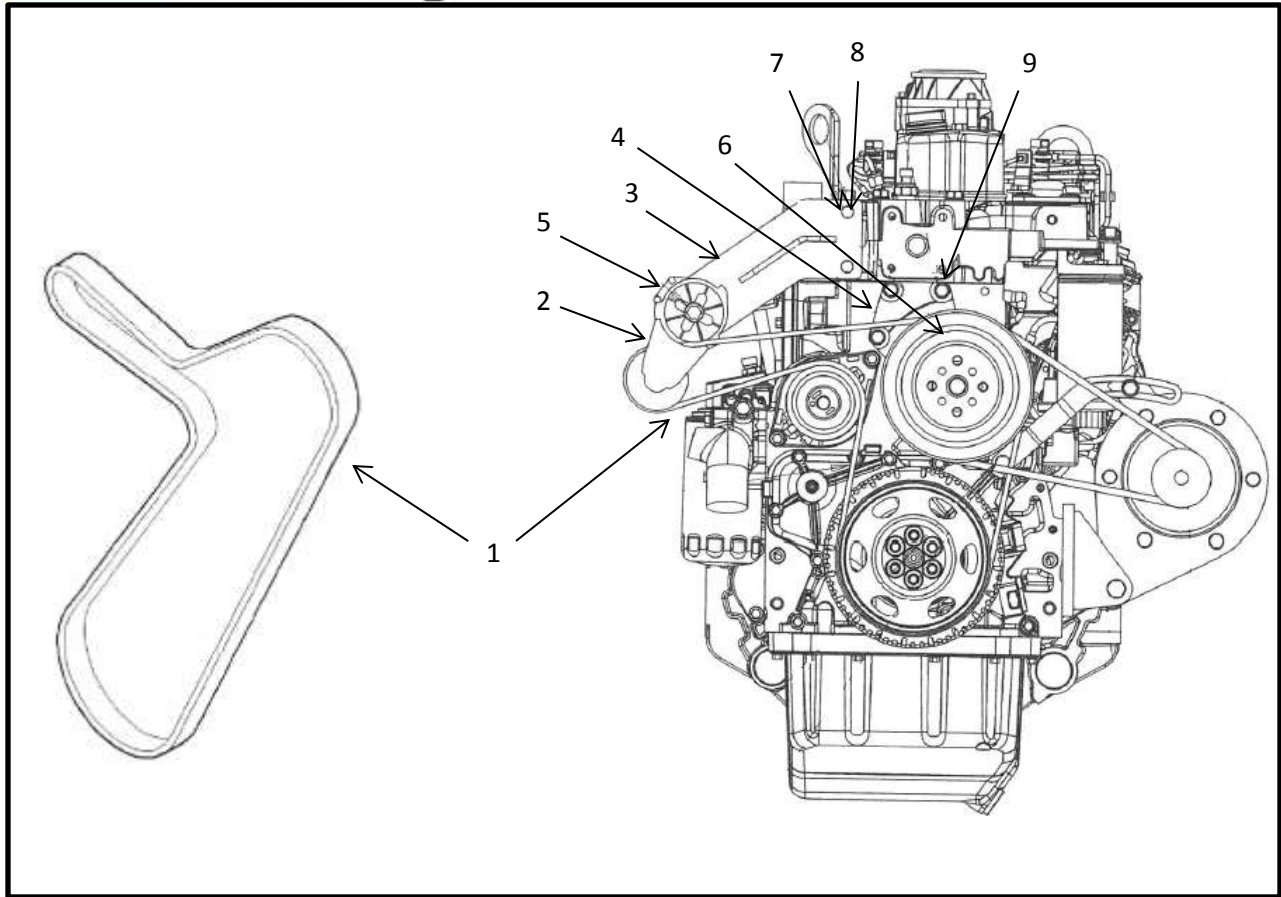
Item	Part Number	Qty	Description
1	M353-510-237	3	Hexagon Bolt M10x80 MM
2	M353-510-238	1	Washer
3	M353-510-239	1	General Support Assy
4	M353-510-240	2	Dowel Pin
5	M353-510-241	1	Lock Plug M22x1 ,5



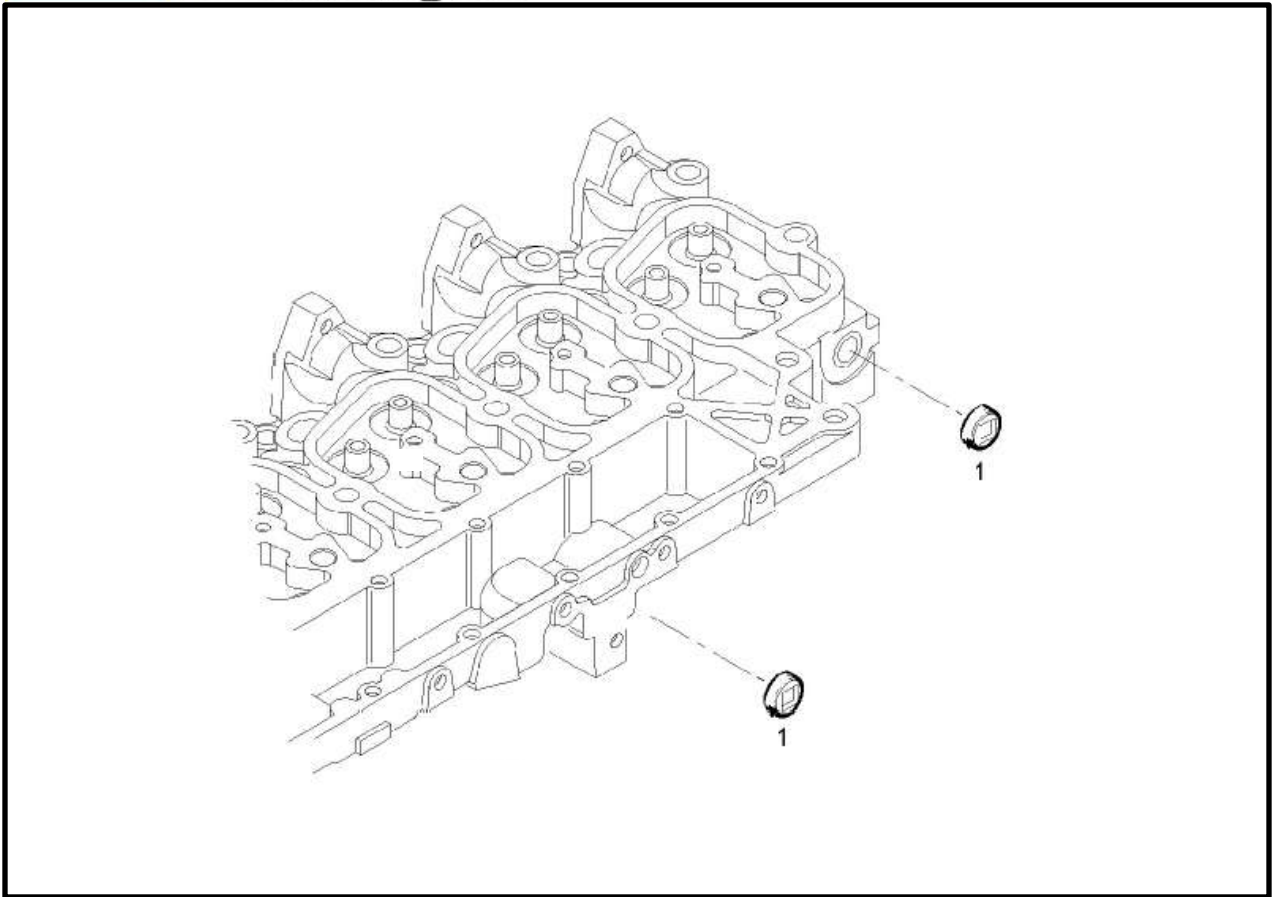
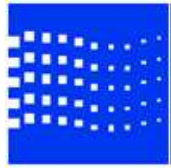
Item	Part Number	Qty	Description
1	M353-510-243	1	Threaded Plug M16x1 ,5 MM Assy
2	M353-510-244	1	O-Ring \varnothing 13,9 MM SP=2,6 MM



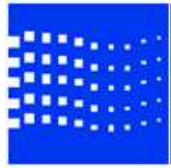
Water Pump Drive



Item	Part Number	Qty	Description
1	M353-510-34	1	Water Pump Belt
2	M509-585-01	1	Belt Tensioner
3	M354-511-01	1	Bracket, Belt Tensioner
4	M509-598-01	1	Support, Fan
5	M600-171-01	1	Bolt, Hex Flange Head – m10x1.50x75
6	M506-555-01	1	Pulley, Single A
7	M600-177-01	2	Bolt, m8x1.25x30 HHCS
8	M150-530-01	2	Washer, m8 Lock
9	M600-170-01	3	Bolt, Hex Flange Head – m8x1.25x35

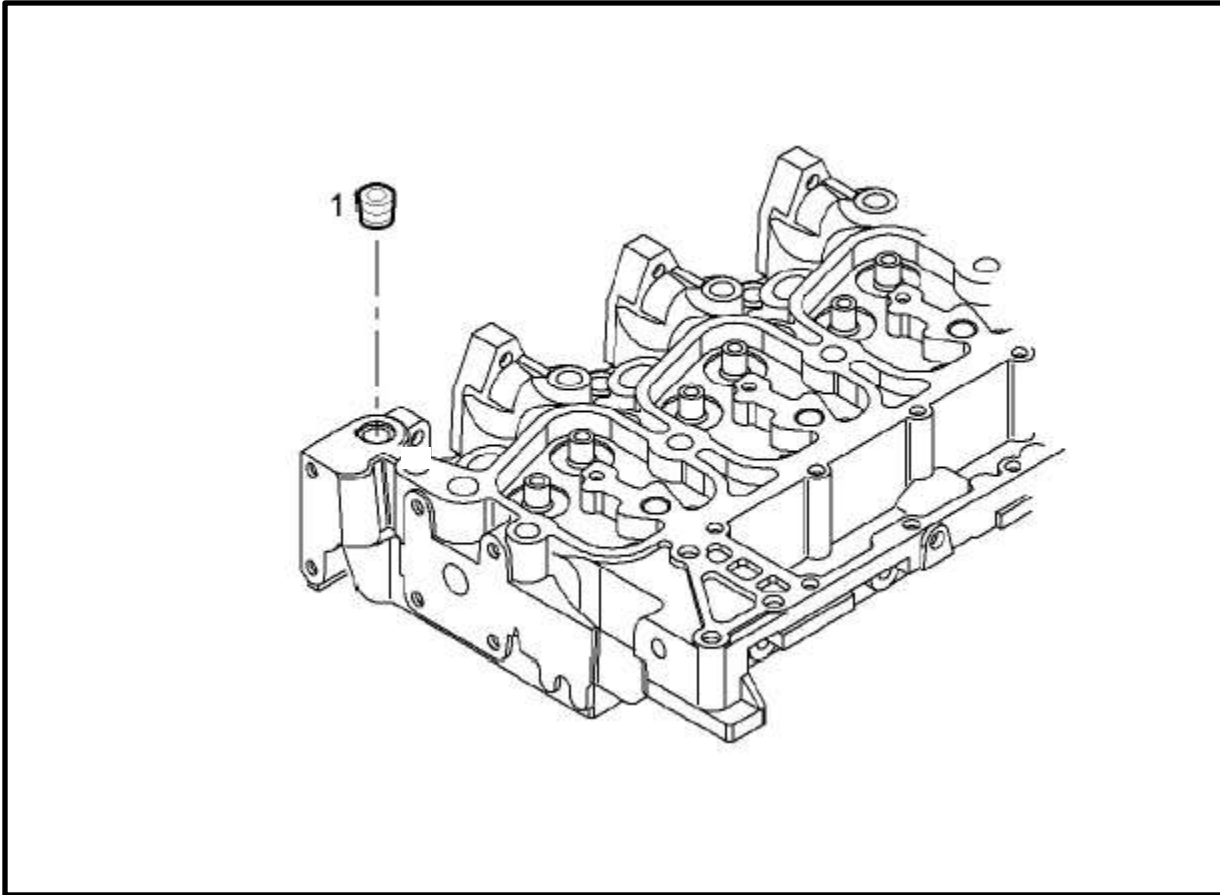


Item	Part Number	Qty	Description
1	M353-510-242	2	Threaded Plug

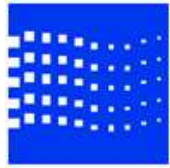


**Dry Systems[®]
Technologies**

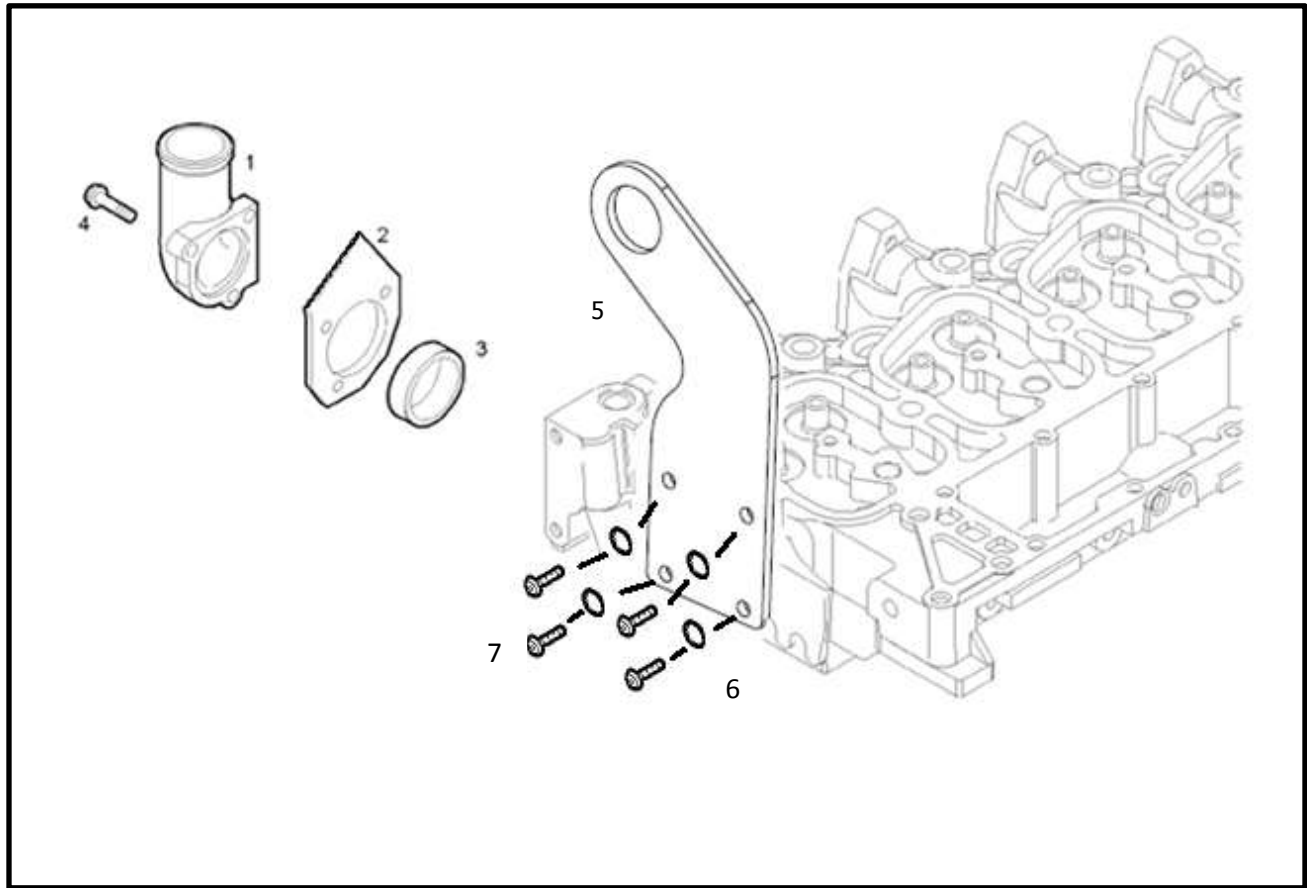
Head Plug



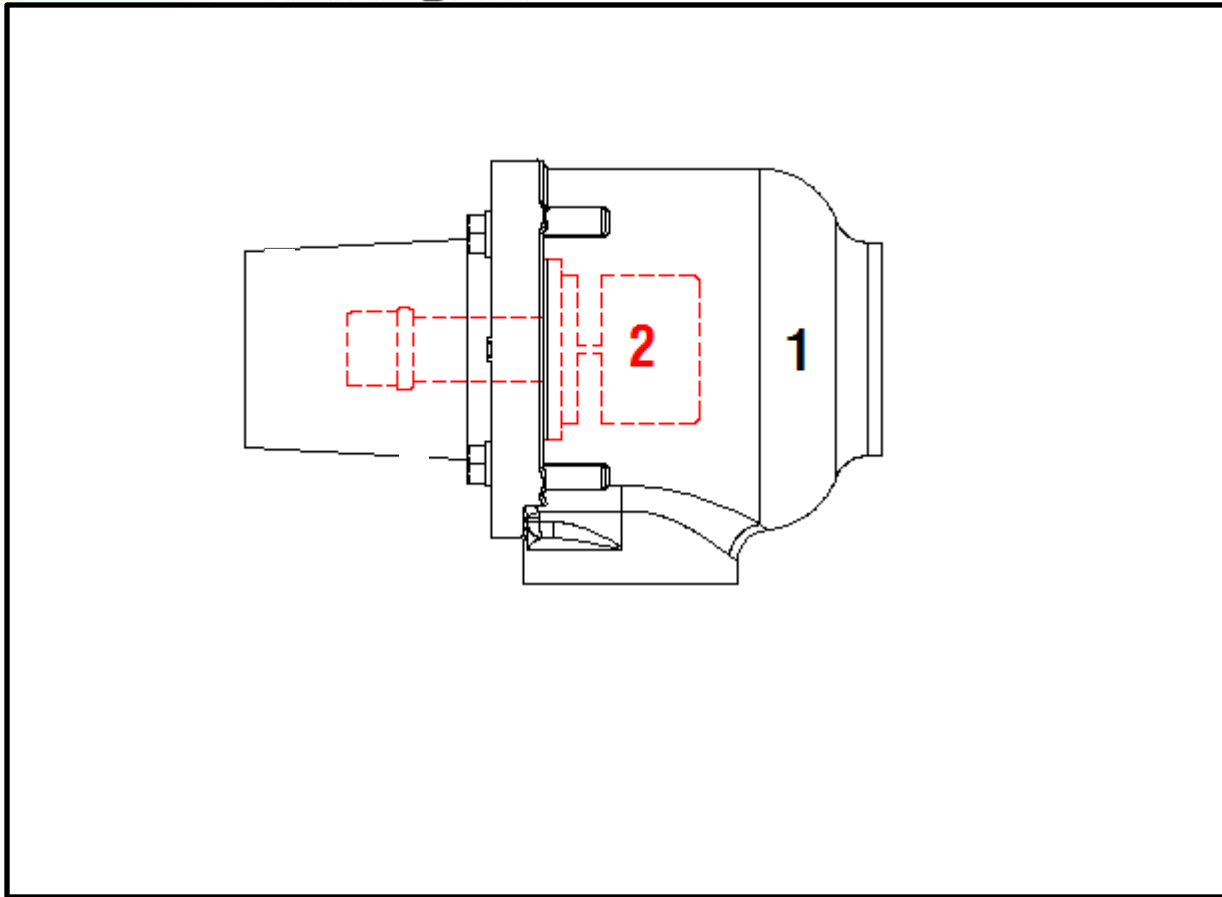
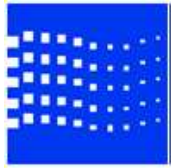
Item	Part Number	Qty	Description
1	M353-510-242	1	Threaded Plug



Dry Systems[®] Hot Coolant Piping & Lifting Lug

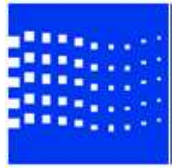


Item	Part Number	Qty	Description
1	M353-510-32	1	Body
2	M353-510-245	1	Hitch Lug Modified
3	M353-510-33	1	Rubber Gasket
4	M353-510-246	3	Hexagon Bolt
5	M353-513-01	1	Lug, Lifting
6	M150-530-01	4	Washer, m8 lock
7	M600-197-01	4	Bolt

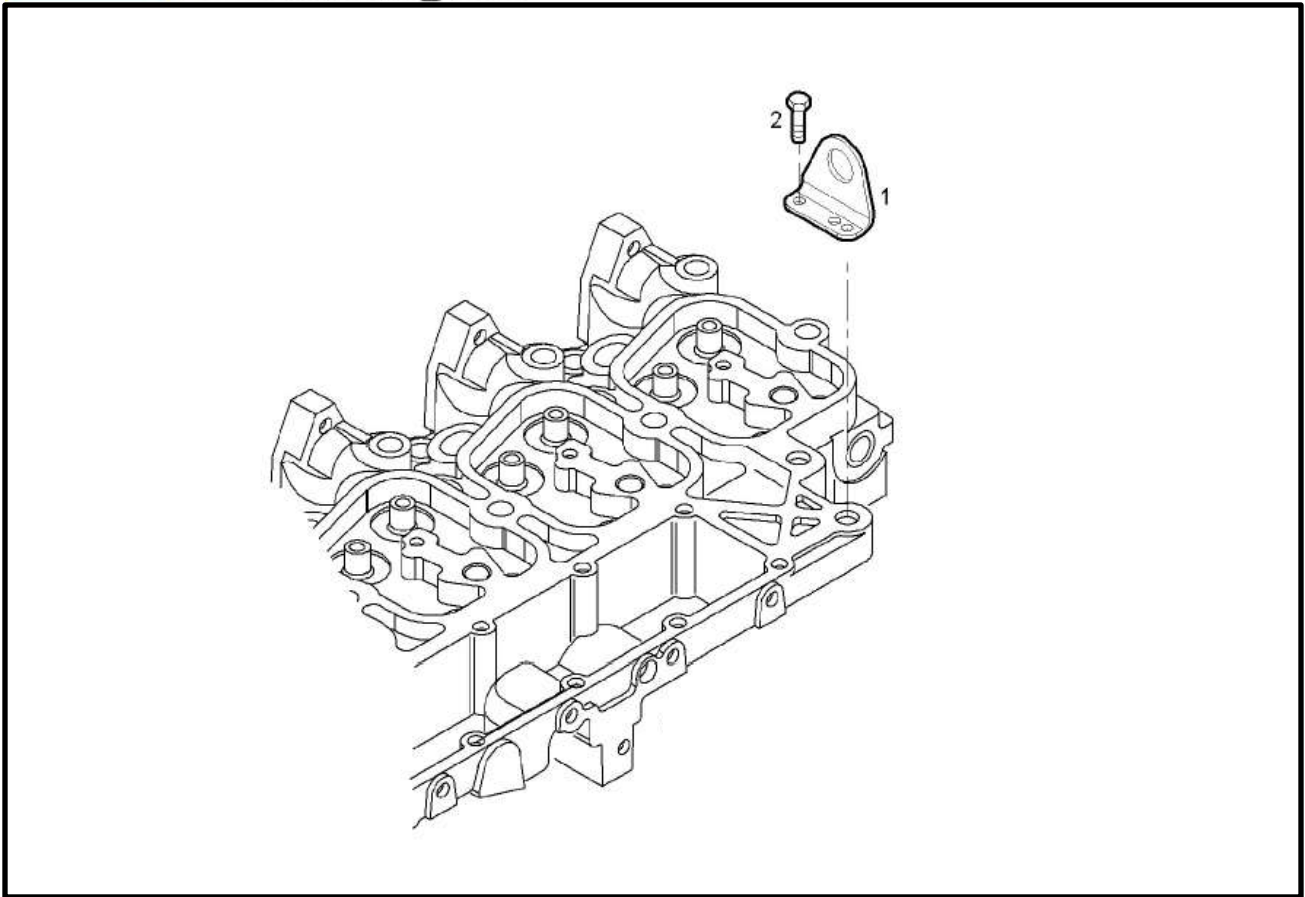


Item	Part Number	Qty	Description
1	M354-702-01	1	Thermostat Assy
2	M354-702-02	1	Thermostat Service Kit

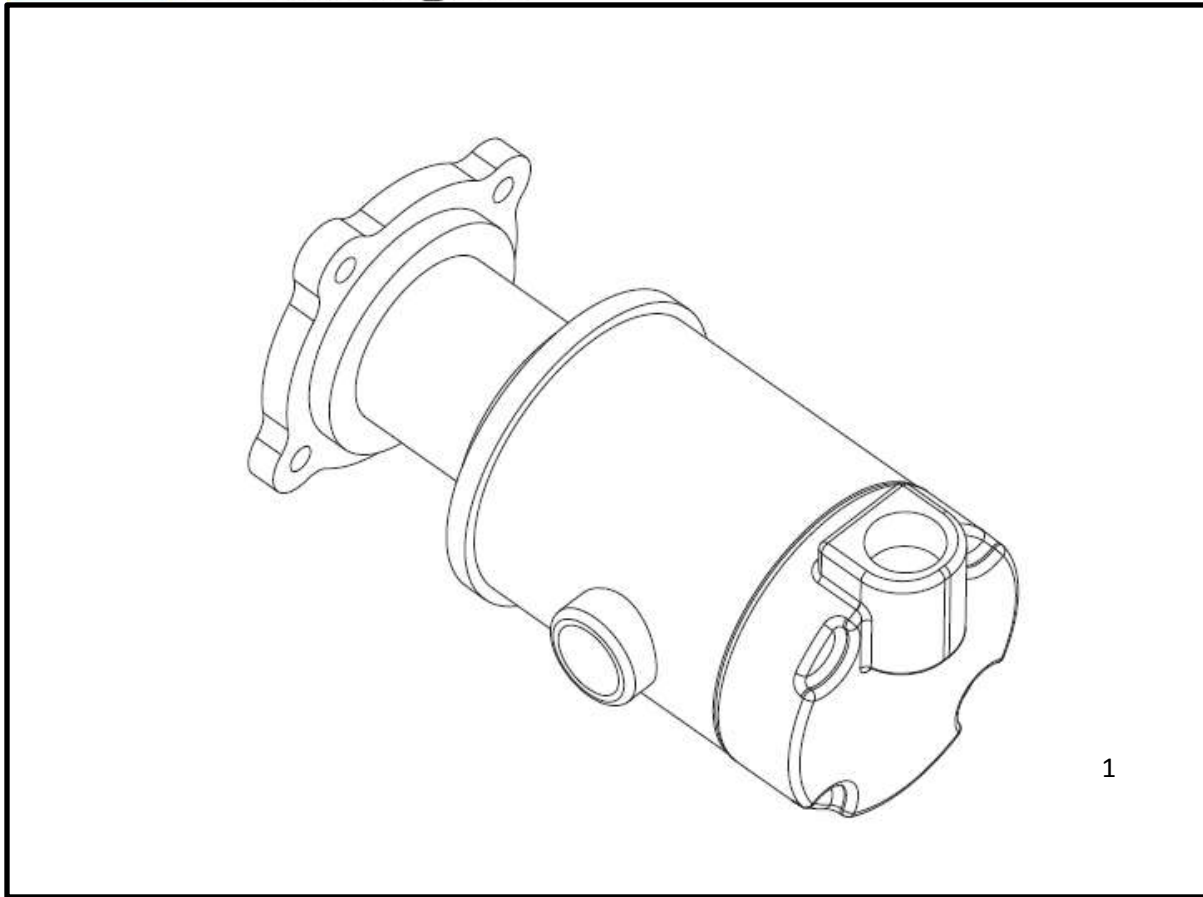
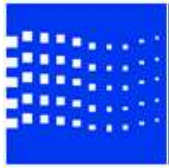
Service Kit Includes – Thermostat, O-Ring &
Lipseal



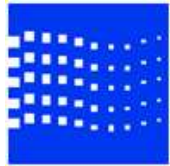
Lifting Lug



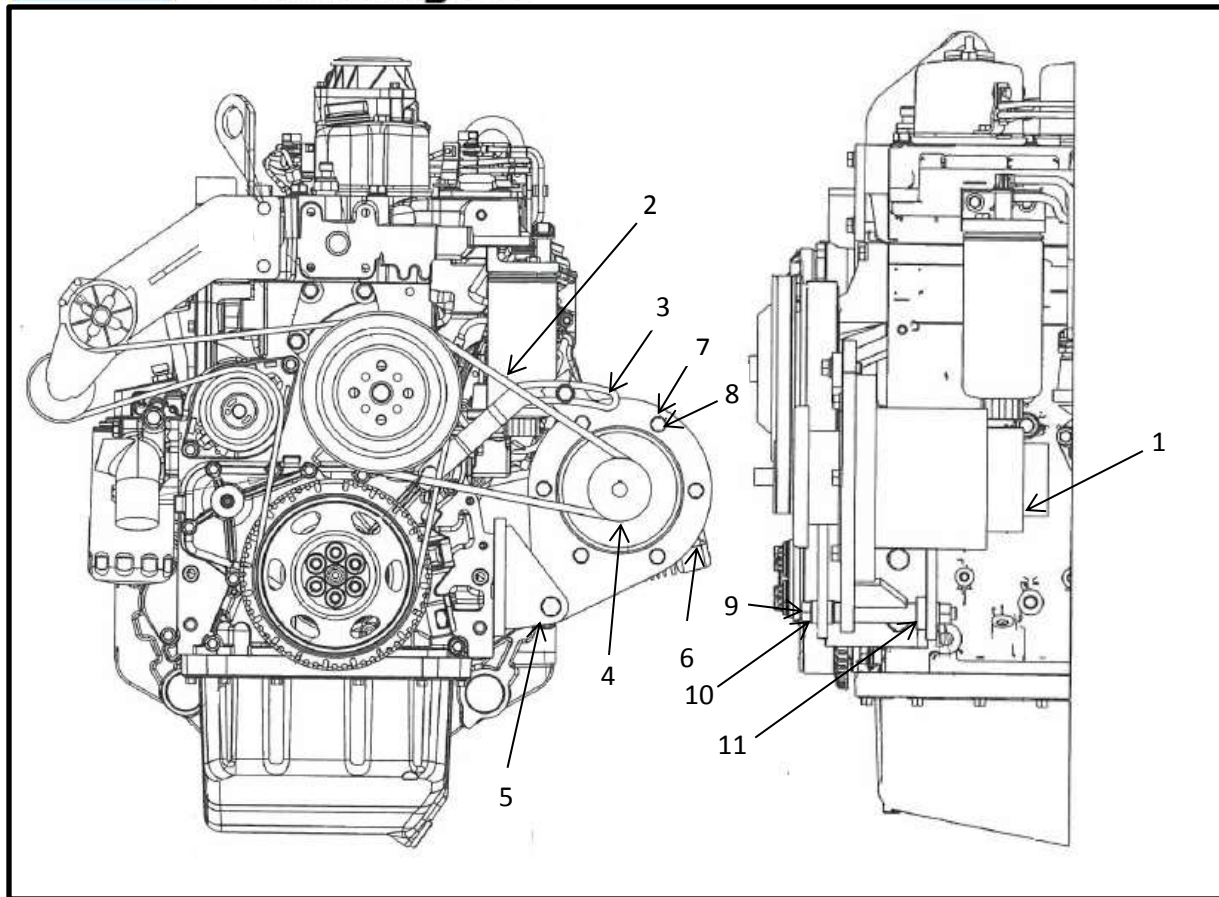
Item	Part Number	Qty	Description
1	M353-510-251	1	Hitch Lug
2	M353-510-71	2	Hexagon Bolt



Item	Part Number	Qty	Description
1	M354-523-01 (Not Pictured)	1	Air Starter
	M354-523-02	1	Air Muffler
	M150-515-01	1	Air Relay Valve
	M150-516-01	1	Lubricator
	M150-517-01	1	Filter, w/ manual drain



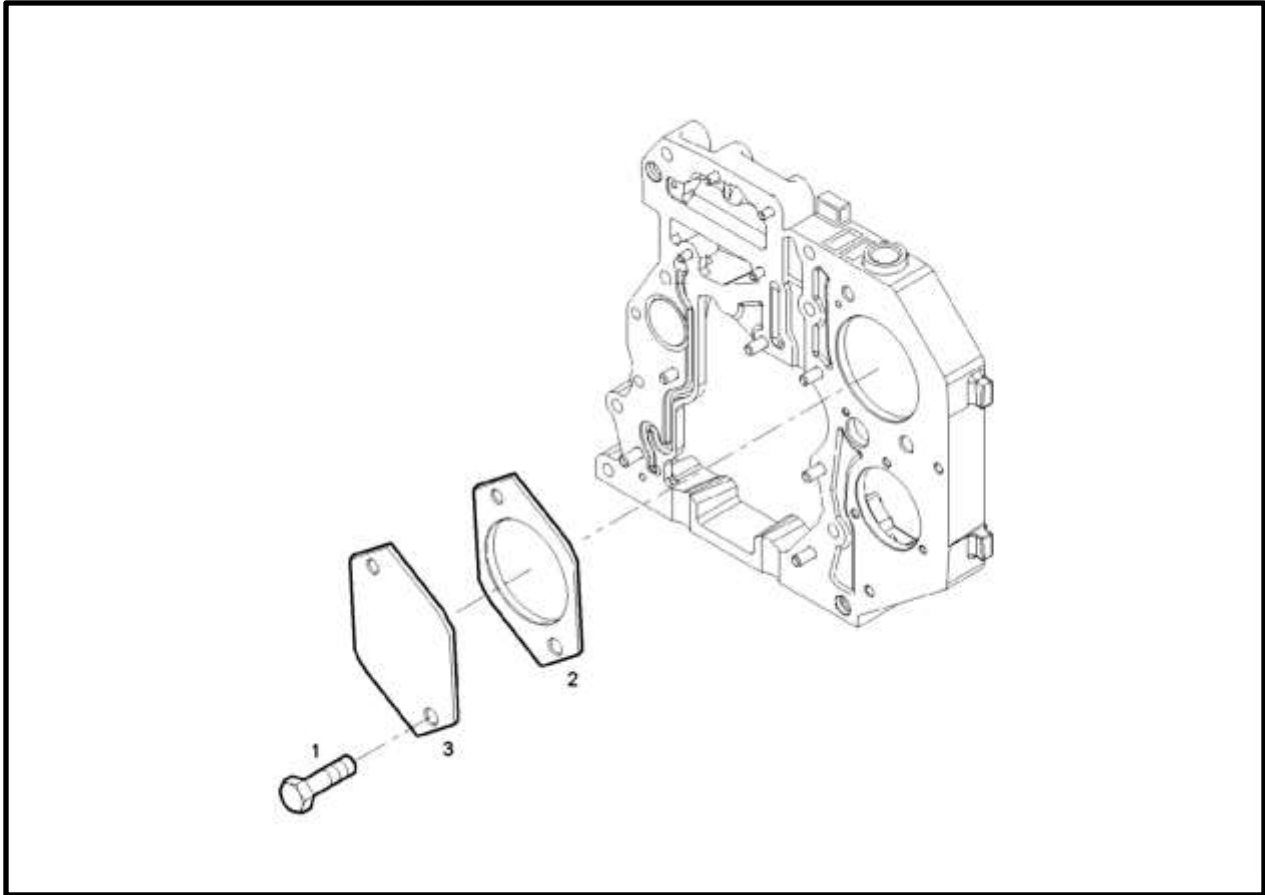
Alternator



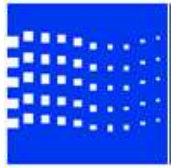
Item	Part Number	Qty	Description
1	M500-521-01	1	ALTERNATOR, EXPLOSION-PROOF, 12V, 25A
2	M354-524-01	1	V Belt
3	M354-526-01	1	Slide, Alternator
4	M500-530-01	1	Pulley, A-Belt
5	M354-518-01	1	Bracket, Alternator Mounting
6	M354-514-01	1	Mount, Alternator
7	M600-123-01	7	Washer, 3/8" lock
8	M600-124-01	7	Bolt, 3/8-16x1.25 HHCS
9	M600-179-01	1	Bolt, 1/2-13x5.5 HHCS
10	M354-522-01	1	Bushing, Alt. Mount – Front
11	M354-522-02	1	Bushing, Alt. Mount – Rear

NOT PICTURED

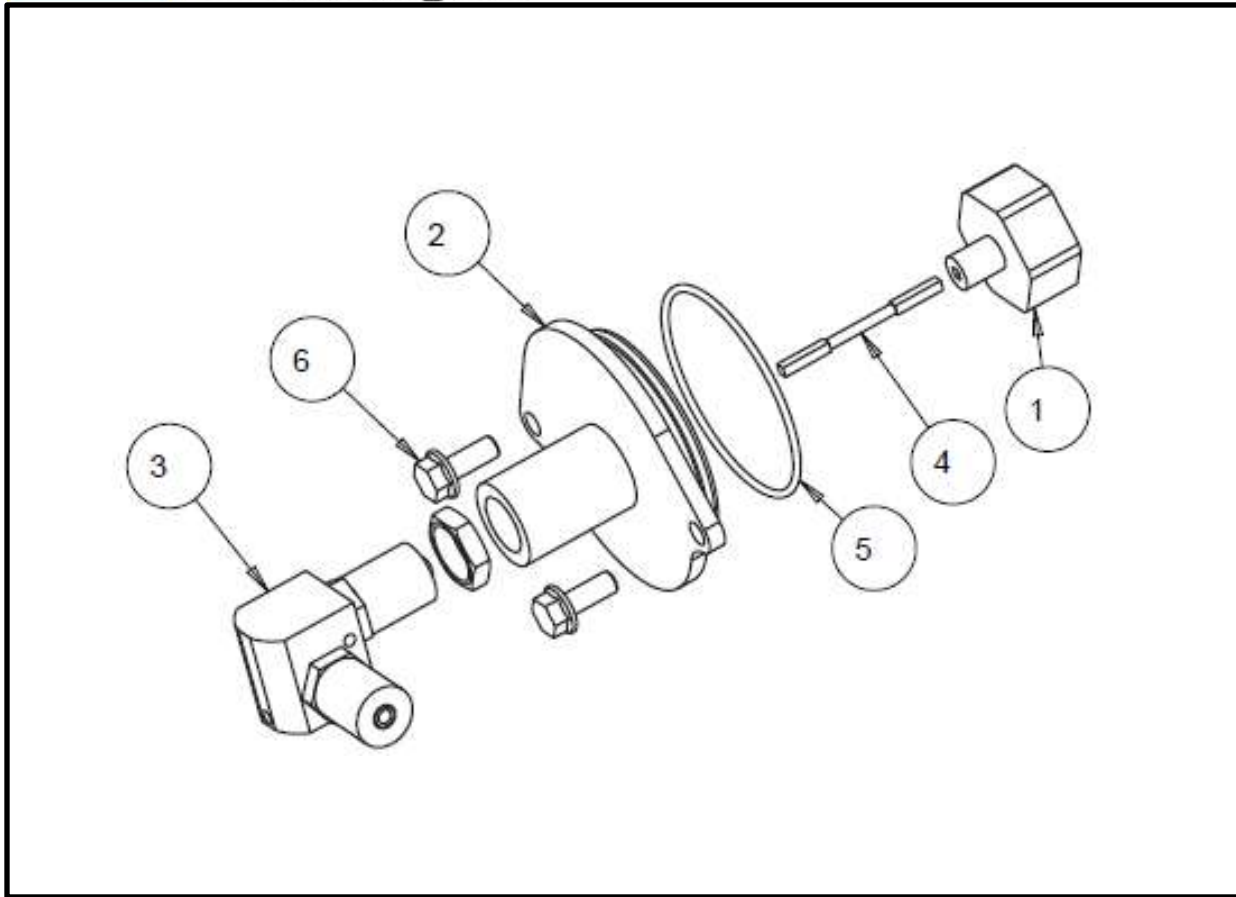
M500-521-136	1	Fuse Plate
M500-521-200	2	Fuse, 20A (Alternate)
M500-521-150	2	Fuse, 15A



Item	Part Number	Qty	Description
1	M353-510-215	2	Hexagon Bolt M12x25 MM
2	M353-510-249	1	Engine Gasket
3	M353-510-250	1	Cover



Dry Systems[®] Technologies Tachometer Drive Assembly



Item	Part Number	Qty	Description
1	M354-527-01	1	Adapter, Tach Drive
2	M354-528-01	1	Cover Asm., Tach Drive
3	M354-534-01	1	Drive Joint Assembly, Right Angle Tach
4	M354-535-01	1	Shaft, Square Flex
5	M354-536-01	1	O-Ring, Size 151
6	M600-198-01	2	Bolt, Hex Flange Head - m8x1.25x20

Part Index

Part No.	Description	Page No.
M150-515-01	Air Relay Valve	51
M150-516-01	Lubricator	51
M150-517-01	Filter, w/ manual drain	51
M150-530-01	Washer, m8 Lock	15,35,45,48
M250-530-01	Seal Washer	2,28
M250-544-01	Valve, Diesel Engine Shutdown	15
M250-564-01	Nut, m8 – 1.25P	15
M295-240-01	Spacer	15
M353-201-01	Cover, Intake	15
M353-205-01	Gasket, Intake Cover	2,16
M353-206-01	Stud, Intake Cover	15
M353-207-01	Complete Cylinder Head	11
M353-502-01	Cylinder, Shutdown	35
M353-505-01	Cyl, Head Gasket	2,11
M353-506-01	Bracket	35
M353-507-11	Fuel Pump	26
M353-510-01*	Valves Grind Set	1,2
M353-510-02	Engine Gasket	7
M353-510-03	Suction Strainer	7
M353-510-04	Oil Sump Gasket	7
M353-510-05	Oil Sump	7
M353-510-06	Shaft Seal	5
M353-510-07	Shaft Seal	8
M353-510-08	O-Ring Ø75,87 MM SP=2, 62 MM	8
M353-510-09	Seal Gasket	2,10
M353-510-10	Hexagon Bolt M12x140	11
M353-510-12	Oil Filler Plug	12
M353-510-13	Gasket	2,12
M353-510-14	Hexagon Bolt M8X1 ,25	12
M353-510-15	Rubber Lug	2,12
M353-510-16	Cyl. Head Cover	12
M353-510-17	Cyl. Head Cover	12
M353-510-18	Cyl. Head Cover	12
M353-510-19	Head Cover Gasket	2,12
M353-510-20	Hexagon Bolt M12X1 ,75	13
M353-510-21	Ring Gear	9
M353-510-23	Engine Gasket	27
M353-510-24	Nozzle Assy	28
M353-510-25	Fuel Filter	32,34
M353-510-26	Fuel Pump Assy	30
M353-510-27	O-Ring	30
M353-510-28	Injection Line Set Assy	29
M353-510-29	Oil Filter Cartridge	40

Part No.	Description	Page No.
M353-510-30	Water Pump	42
M353-510-31	Rubber Gasket	42
M353-510-32	Thermostat Body	48
M353-510-33	Rubber Gasket	48
M353-510-34	Water Pump Belt	45
M353-510-35	Oil Filter Support Assy	40
M353-510-36	Threaded Union	40
M353-510-37	Hose	40
M353-510-38	Elbow Coupling	40
M353-510-40	Stripped Engine	3
M353-510-41	Screw Connector M8X1.25	4
M353-510-42	Plug Assembly M14X1,5	4
M353-510-43	O-Ring	4
M353-510-44	Threaded Plug Assembly M10x1	4
M353-510-45	O-Ring	4
M353-510-46	Threaded Plug Assembly M18x1,5	4
M353-510-47	O-Ring	4
M353-510-48	Dowel Pin	4
M353-510-49	Crankcase Assembly	4
M353-510-50	Dowel Pin	4,6,8
M353-510-51	Plug Ø17MM	4
M353-510-52	Plug Ø58 MM	4
M353-510-53	Plug Ø35 MM	4
M353-510-54	Hexagon Bolt M12x120 MM	4
M353-510-55	Camshaft Bearing	4
M353-510-56	Lifter	4
M353-510-57	Oil Nozzle Assembly	4
M353-510-58	Hexagon Bolt M8x20 MM	7
M353-510-59	Hexagon Bolt	6,7
M353-510-60	O-Ring	7
M353-510-61	Thread Plug M22x1 ,5	7
M353-510-62	Spacing Bar	7
M353-510-63	Hexagon Bolt M10x120 MM	7
M353-510-64	Hexagon Bolt	7
M353-510-65	Front C. Case Cover	5
M353-510-66	Hexagon Bolt	5
M353-510-67	Hexagon Bolt M8x30 MM	5
M353-510-68	Dowel Pin	5
M353-510-69	Sealant	5,8
M353-510-70	Hexagon Bolt	6
M353-510-71	Hexagon Bolt	6,50
M353-510-72	Timing Gear Housing Assembly	6
M353-510-73	Spring Lockwasher	6
M353-510-74	O-Ring	6

Part No.	Description	Page No.
M353-510-75	Shear Screw M5x17 MM	6
M353-510-76	Locking Plate Assembly	6
M353-510-77	O-Ring	6
M353-510-78	Locking Plate	6
M353-510-79	Plug	6
M353-510-80	Hexagon Bolt M10X1, 5X80 MM	8,25
M353-510-81	Hexagon Bolt M10X1, 5X40 MM	8
M353-510-82	Plug Ø29 MM	8
M353-510-83	O-Ring 3, 53x21 ,81	8
M353-510-84	Hexagon Bolt M12X80 MM	8
M353-510-85	Hexagon Bolt	8
M353-510-86	Hexagon Bolt M8X17 MM	8,24
M353-510-87	Flywheel Housing	8
M353-510-88	Cover	8
M353-510-89	Cover Assembly	8
M353-510-90	Hexagon Bolt M8X1.25X20	8
M353-510-91	Threaded Plug	8
M353-510-92	Hexagon Bolt	8
M353-510-93	Hexagon Bolt M10X40MM	8
M353-510-94	Threaded Plug	8
M353-510-95	Valve	10
M353-510-96	Hexagon Bolt	10
M353-510-99	Valve Cone	11
M353-510-100	Exhaust Valve	11
M353-510-101	Inlet Valve	11
M353-510-102	Cap	11
M353-510-103	Engine Valv.Spring	11
M353-510-104	Spring Cap	11
M353-510-105	Valve Seat Std. Exhaust	11
M353-510-106	Lock Plug	11
M353-510-107	Valve Seat Std. Intake	11
M353-510-108	Plug	11
M353-510-109	Centering Ring	12
M353-510-110	Screw	12
M353-510-111	Rocker Shaft Assy	13
M353-510-112	Pushrod	13
M353-510-113	Hexagon Bolt M8X1 ,25X60 MM	13
M353-510-114	Circlip	13
M353-510-115	Washer	13
M353-510-116	Rocker Arm Assy	13
M353-510-117	Ball-End Pin	13
M353-510-118	Hexagon Nut	13
M353-510-119	Rocker Arm Screw	13
M353-510-120	Rocker Arm Assy	13

Part No.	Description	Page No.
M353-510-121	Rocker Bracket	13
M353-510-125	Crankshaft	20
M353-510-126	Camshaft Pinion	20
M353-510-127	Main Bearing STD.	20
M353-510-128	Main Bearing-0,250	20
M353-510-129	Main Bearing-0,500	20
M353-510-130	Main Bearing-0,250 Thrust	20
M353-510-131	Main Bearing STD. Thrust	20
M353-510-132	Main Bearing-0,500 Thrust	20
M353-510-133	Dowel Pin	20
M353-510-134	Conn.Rod Assy. Assy	21
M353-510-135	Big-End Bush	21
M353-510-136	Cylind-Head Screw	21
M353-510-137	Con.Rod Bear STD.	21
M353-510-138	Con.Rod Bear-0,250	21
M353-510-139	Con.Rod Bear-0,500	21
M353-510-140	Piston Ring Set STD	22
M353-510-141	Piston Assy	22
M353-510-142	Piston Pin	22
M353-510-143	Spring Lockwasher	22
M353-510-144	Piston Ring Set +0.4	22
M353-510-145	Piston Assy. +0.4	22
M353-510-146	Flywheel Assy SAE 11 1/2 (on M500-258-11 engine)	9
M353-510-148	Hexagon Bolt M12x1 ,25	9
M353-510-149	Crankshaft pulley	23
M353-510-150	Screw M12x1 ,5	23
M353-510-151	Spacing Bar	23
M353-510-152	Support Assy	25
M353-510-153	Washer	25
M353-510-154	Bush Assy	25
M353-510-155	Gear	25
M353-510-156	Gear	25
M353-510-157	Hexagon Bolt	25
M353-510-158	Socket-Head Screw	25
M353-510-159	Shaft	25
M353-510-160	Shaft Assy	25
M353-510-161	Hexagon Bolt	25
M353-510-162	Spring Lockwasher	25
M353-510-163	Hexagon Bolt	24
M353-510-164	Camshaft Pinion	24
M353-510-165	Yoke	24
M353-510-166	Camshaft Assy	24
M353-510-167	Dowel Pin	24
M353-510-168	Camshaft Pinion	24

Part No.	Description	Page No.
M353-510-169	Inj. Pump Drive Gear	27
M353-510-170	Stud M8x30 MM (8.8)	27
M353-510-171	Nut M8	27
M353-510-172	Seal Gasket	2
M353-510-172	Seal Gasket	28
M353-510-173	Fuel Nozzle	28
M353-510-174	Washer	28
M353-510-175	Screw Connector M6x1	28
M353-510-178	Hexagon Bolt M8x25 MM	34
M353-510-182	Hexagon Bolt M8x25 MM	30
M353-510-185	Fastening Bracket	29
M353-510-186	Fastening Bracket	29
M353-510-187	Fastening Bracket	29
M353-510-188	Fastening Bracket	29
M353-510-189	Fastening Bracket	29
M353-510-190	Fastening Bracket	29
M353-510-191	Hexagon Bolt	29
M353-510-201	Plug	37
M353-510-202	Plug Assy M12x1 ,5	37
M353-510-203	O-Ring	37
M353-510-204	Plug	38
M353-510-205	O-Ring Dia 17 ,12 SP 2,62	38
M353-510-206	Oil Filler Plug	38
M353-510-207	Hexagon Bolt M6x18 MM	38
M353-510-208	Lube Oil Pump	39
M353-510-209	Hexagon Bolt	39
M353-510-213	Bracket	18
M353-510-215	Hexagon Bolt M12x25 MM	53
M353-510-223	Hexagon Bolt M8x35 MM	41
M353-510-224	Threaded Plug	41
M353-510-225	Valve Housing	41
M353-510-226	Valve Spring	41
M353-510-227	O-Ring	41
M353-510-228	Valve	41
M353-510-229	Heat Exchanger Body Assy	41
M353-510-230	Oil Cooler	41
M353-510-231	Engine Gasket	41
M353-510-232	Engine Gasket	41
M353-510-233	Threaded Union	40,41
M353-510-234	Threaded Plug Assy	41
M353-510-235	O-Ring	41
M353-510-236	Hexagon Bolt	42
M353-510-237	Hexagon Bolt M10x80 MM	43
M353-510-238	Washer	43

Part No.	Description	Page No.
M353-510-239	General Support Assy	43
M353-510-240	Dowel Pin	43
M353-510-241	Lock Plug M22x1 ,5	43
M353-510-242	Threaded Plug	46,47
M353-510-243	Threaded Plug M16x1 ,5 MM Assy	44
M353-510-244	O-Ring Ø13,9 MM SP=2,6 MM	44
M353-510-245	Hitch Lug Modified	48
M353-510-246	Hexagon Bolt	48
M353-510-248	Rubber Gasket	49
M353-510-249	Engine Gasket	36,53
M353-510-250	Cover	53
M353-510-251	Hitch Lug	50
M353-510-252	Air Compressor	36
M353-510-253	Support	40
M353-510-254	O-Ring Ø59, 92mm SP=3,53 mm	40
M353-510-255	Threaded Union	40
M353-510-256	Fastening Bracket	40
M353-510-257	Valve, Compressor Unloader (Regulator)	36
M353-510-258	Long Dipstick	37
M353-510-259	Thermostat Assy	49
M353-510-260	Oil Line	18
M353-511-01	Adapter 22 mm 1/2 NPT	36
M353-512-01	Adapter 26 mm 3/4 NPT	36
M353-513-01	Lug, Lifting	48
M353-514-01	Bracket, Fuel Filter	32
M353-515-01	Return Line Assembly – Complete Piping	33
M353-516-01	Fuel Filt. Support Assy	34
M354-208-02	Turbocharger – 18 degree	17
M354-208-25	Gasket, Turbo	2,17
M354-209-01	Manifold, Iveco N45 Water Cooled	17
M354-209-20	Gasket, Exhaust Manifold	2,17
M354-228-01	Adapter Asm., Intake	16
M354-233-01	Angle, Intake Support	15
M354-234-01	Bracket, Intake Support	16
M354-235-01	Spacer	16
M354-237-01	Intake Assembly	14
M354-257-01	Fastening Bracket	18
M354-270-01	Tube Assembly	18
M354-271-01	Tube Asm	32
M354-272-01	Tube Asm	32
M354-273-01	Tube Asm	31
M354-510-01	Gasket, Flame Arrestor	2,16
M354-511-01	Bracket, Belt Tensioner	45
M354-514-01	Mount, Alternator	52

Part No.	Description	Page No.
M354-518-01	Bracket, Alternator Mounting	52
M354-521-01	Throttle Cylinder	35
M354-522-01	Bushing, Alt. Mount – Front	52
M354-522-02	Bushing, Alt. Mount – Rear	52
M354-523-01	Air Starter	51
M354-523-02	Air Muffler	51
M354-524-01	V Belt	52
M354-526-01	Slide, Alternator	52
M354-527-01	Adapter, Tach Drive	54
M354-528-01	Cover Asm., Tach Drive	54
M354-531-01	Rod End	35
M354-534-01	Drive Joint Assembly, Right Angle Tach	54
M354-535-01	Shaft, Square Flex	54
M354-536-01	O-Ring, Size 151	54
M500-256-11*	Engine Complete (w/ Clark 20,000 Flywheel)	1
M500-521-01	ALTERNATOR, EXPLOSION-PROOF, 12V, 25A	52
M500-521-136	Fuse Plate	52
M500-521-150	Fuse, 15A	52
M500-521-200	Fuse, 20A (Alternate)	52
M500-530-01	Pulley, A-Belt	52
M506-555-01	Pulley, Single A	45
M509-585-01	Belt Tensioner	45
M509-598-01	Support, Fan	45
M510-503-01	Air Transfer Pipe	19
M510-503-02	V Band Clamp	19
M510-503-03	O Ring	2,19
M510-516-01	Elbow	18,31
M510-520-01	Adapter	18
M510-520-02	Seal Washer	18,30,32
M510-522-01	Elbow	30,32
M510-523-01	Elbow	30,32
M510-524-01	Adapter	31
M510-525-01	Copper Seal Washer	31
M510-526-01	Bleeder Valve	35
M510-542-01	Lock Wire 3 feet	15
M600-109-01	Nut, 0.38-16 hex	16
M600-123-01	Washer, 3/8" lock	16,17,52
M600-124-01	Bolt, 3/8-16x1.25 HHCS	16,17,52
M600-127-01	1/4 -28 Nut	35
M600-134-01	Washer, m10 Lock	17
M600-150-01	Bolt, m10x1.5x100 HHCS	17
M600-151-01	M8x25mm HHCS	35
M600-154-01	Stud, m5x.8Px60 mm grade 8.8	16
M600-155-01	Nut, m5x0.8P	16

Part No.	Description	Page No.
M600-156-01	Washer, m5 Lock	16
M600-162-01	Capscrew, m8x1.25Px25 mm Flange Head	16
M600-168-01	Bolt, m8x1.25x40 mm HHCS	15
M600-169-01	Bolt, Hex Flange Head – m8x1.25x75	45
M600-170-01	Bolt, Hex Flange Head – m8x1.25x35	45
M600-171-01	Bolt, Hex Flange Head – m10x1.50x75	45
M600-177-01	Bolt, m8x1.25x30 HHCS	45
M600-179-01	Bolt, ½-13x5.5 HHCS	52
M600-190-01	Washer, 3/8	15
M600-191-01	Hexagon Bolt 1/4 – 20 x 1/2”	18
M600-192-01	Hexagon Bolt M12x20 mm	18
M600-193-01	Hexagon Nut 1/4 - 20	18
M600-194-01	#10 x 3/4 Pan Head Phillips	35
M600-195-01	#10 Nut	35
M600-196-01	1/4 – 28 Lock Nut	35
M600-197-01	Bolt	48
M600-198-01	Bolt, Hex Flange Head - m8x1.25x20	54
M600-508-01	Plug, 1/8” hex socket pipe	15
M600-730-01	Hose Clamp	18
M600-734-01	Hose	18
M600-821-01	Breather	35
M600-842-01	Male Connector	16
M601-519-01	Elbow, 45°	18
M90-467-01	Elbow	35
M98-501-11	Flame Arrestor, 5” – 0.038”	16